

AA-5 SERIES  
ILLUSTRATED PARTS CATALOG

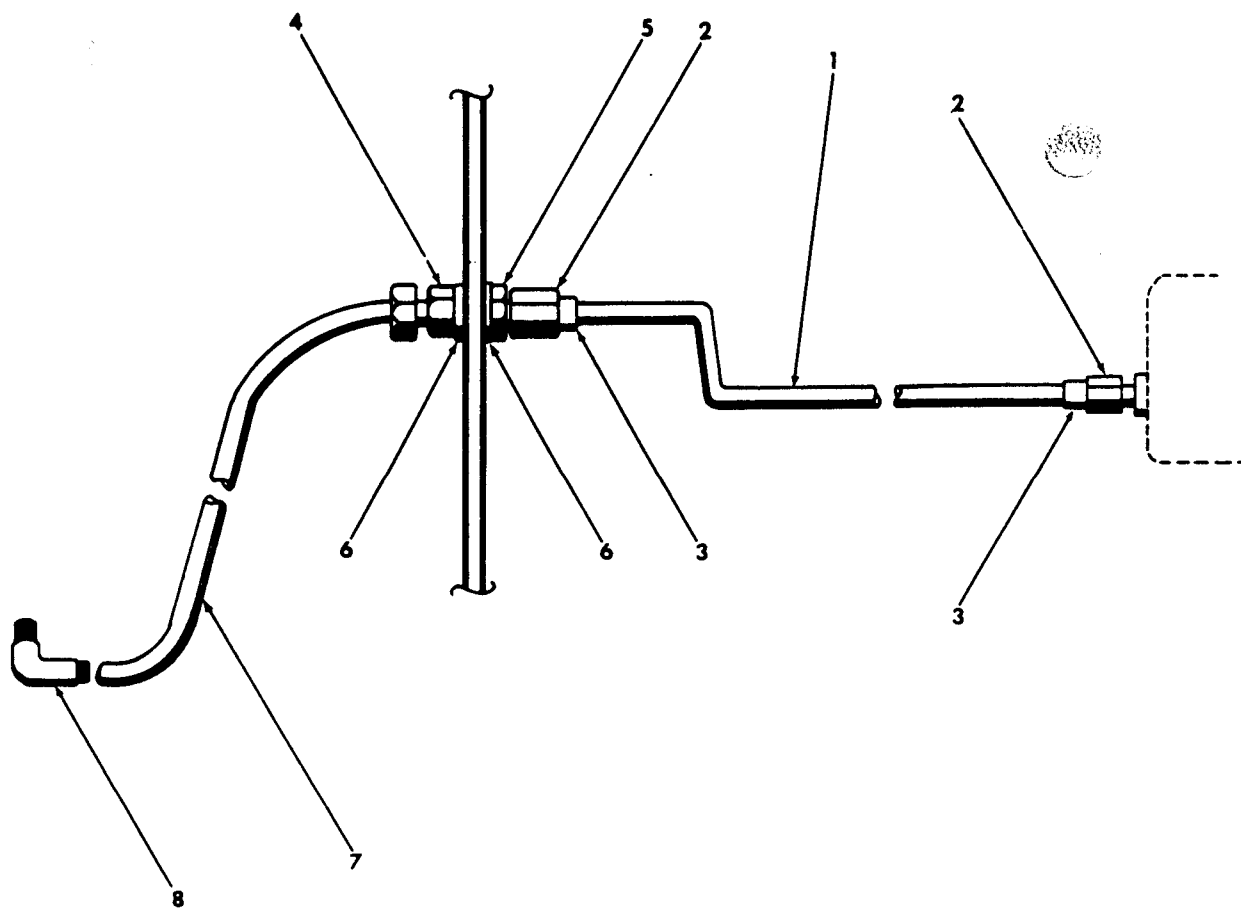
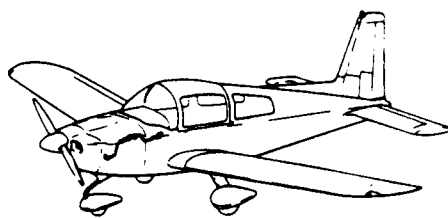
CHAPTER 79

OIL

TABLE OF CONTENTS

<u>SUBJECT</u>	<u>FIGURE NUMBER</u>
OIL PRESSURE LINES	79-1
LUBE OIL COOLER INSTALLATION	79-2
THERMISTOR INSTALLATION	79-3

AA-5 SERIES  
ILLUSTRATED PARTS CATALOG



Oil Pressure Line  
Figure 79-1

79G54-1

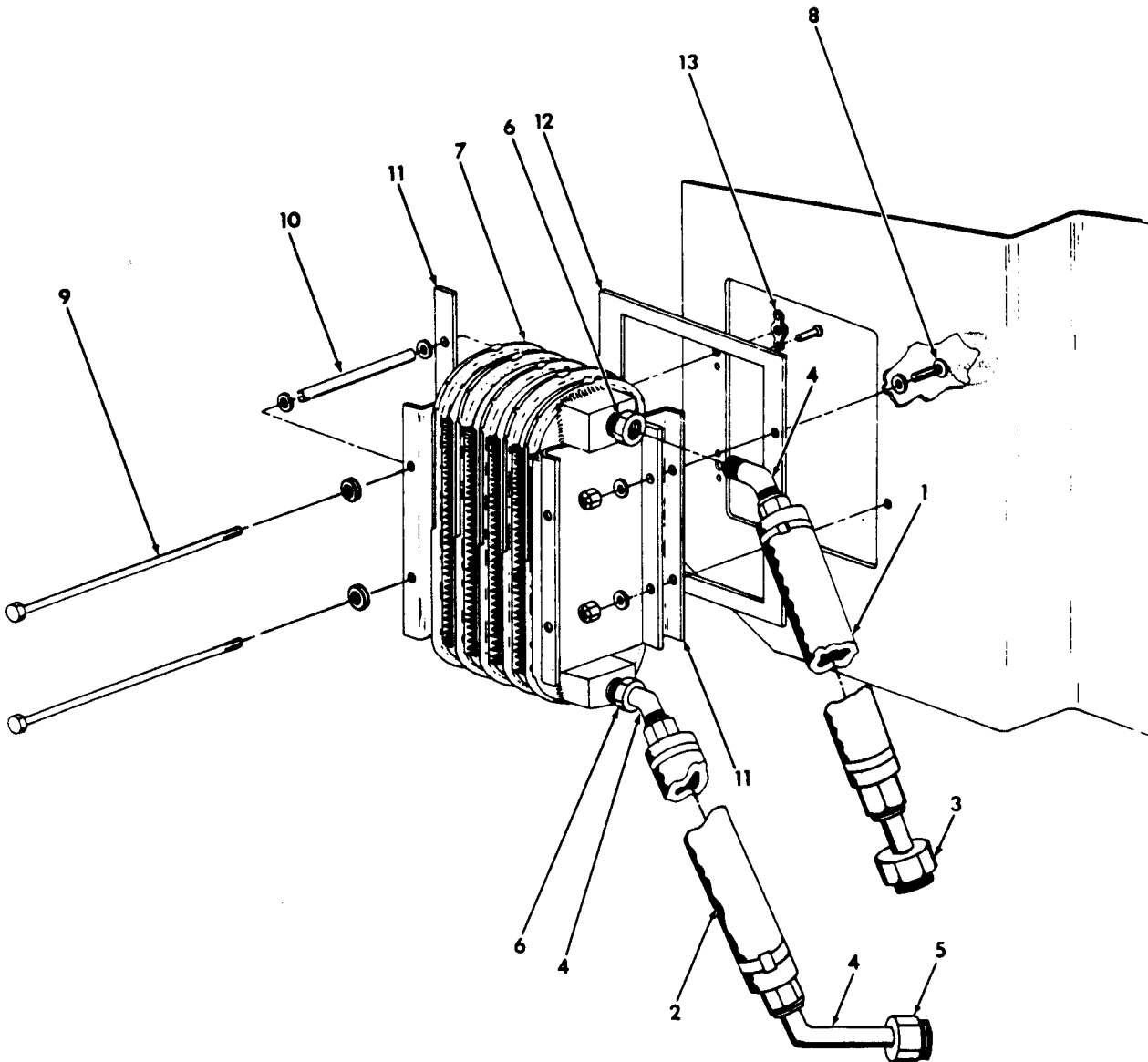
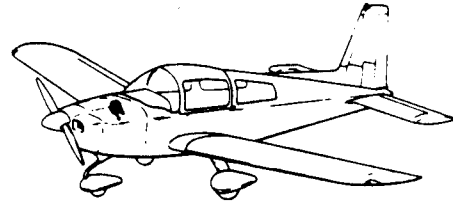
79  
Page 2  
April 15/77

AA-5 SERIES  
ILLUSTRATED PARTS CATALOG

Figure & Index No.	Part Number	Nomenclature							Units Per Assy	Usable On Code	
		1	2	3	4	5	6	7			
79- 1	-	NO NUMBER	OIL PRESSURE LINE							NP	
- 1	5500006-1		. TUBE							1	A
	5500008-1		. TUBE							1	B
- 2	AN818-4D		. NUT							2	
- 3	MS20819-4D		. SLEEVE							2	
- 4	AN832-4		. UNION							1	
- 5	AN924-4D		. NUT							1	
- 6	AN960-717		. WASHER							2	
- 7	GAES1325-2-0210F		. HOSE ASSY							1	A
	GAES1325-2-0260F		. HOSE ASSY							1	B
- 8	901038-501		. RESTRICTOR ASSY							1	A
	901038-502		. RESTRICTOR ASSY							1	B
		A = AA5A-0283 AND SUBSEQUENT									
		B = AA5B-0400 AND SUBSEQUENT									

R  
R

AA-5 SERIES  
ILLUSTRATED PARTS CATALOG



Lube Oil Cooler Installation  
Figure 79-2

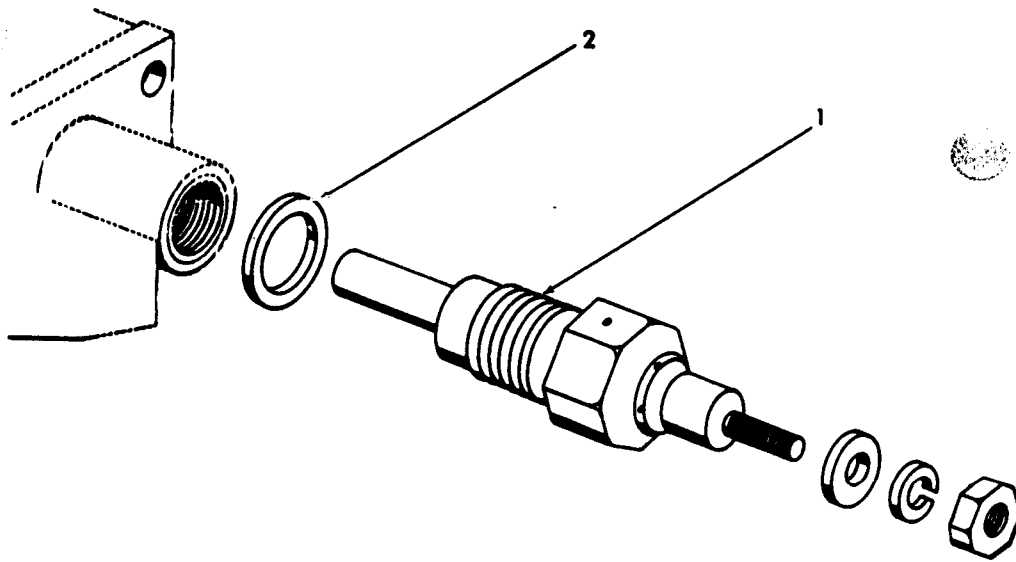
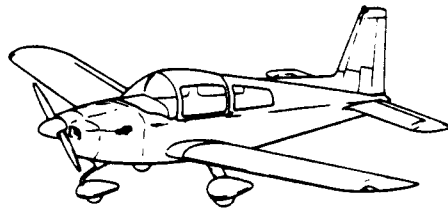
79G54-2

AA-5 SERIES  
ILLUSTRATED PARTS CATALOG

Figure & Index No.	Part Number	Nomenclature							Units Per Assy	Usable On Code	
		1	2	3	4	5	6	7			
79- 2	-	NO NUMBER	LUBE OIL COOLER INSTALLATION . . . . .							NP	
	- 1	GAES1325-4-0120F	HOSE ASSY . . . . .							1	
	- 2	GAES1325-4-0140	HOSE ASSY . . . . .							1	A
		GAES1325-4-0120F	HOSE ASSY . . . . .							1	B
	- 3	AN816-6-6	NIPPLE . . . . .							1	
	- 4	MS20823-6	ELBOW . . . . .							3	
	- 5	AN912-2	REDUCER . . . . .							1	
	- 6	AN912-2	REDUCER . . . . .							2	B
	- 7	5505002-1	COOLER - LUBE OIL . . . . .							1	A
		5505002-2	COOLER - LUBE OIL . . . . .							1	B
			(ATTACHING PARTS)								
	- 8	AN526-1032R10	SCREW . . . . .							2	
		AN960-10	WASHER . . . . .							4	
		MS20365-1032	NUT . . . . .							2	
	- 9	AN3H42A	BOLT . . . . .							2	
		AN970-3	WASHER . . . . .							2	
		AN960-10	WASHER . . . . .							4	
	-10	5902000-1	SPACER . . . . .							2	
	-11	5902001-1	DOUBLER . . . . .							2	
	-12	5505003-3	GASKET . . . . .							1	
		MS20995C32	SAFETY WIRE . . . . .							AR	
	-13	NAS680-A3	NUTPLATE . . . . .							REF	
			A - AA5A-0283 AND SUBSEQUENT								
			B - AA5B-0400 AND SUBSEQUENT								

R  
R  
R

AA-5 SERIES  
ILLUSTRATED PARTS CATALOG



Thermistor Installation  
Figure 79-3

79G54-3

79  
Page 6  
April 15/77

**AA-5 SERIES  
ILLUSTRATED PARTS CATALOG**

Figure & Index No.	Part Number	Nomenclature 1 2 3 4 5 6 7	Units Per Assy	Usable On Code
79- 3 - 1 - 2	NO NUMBER 382-EW MS35769-1 MS20995C32	THERMISTOR INSTALLATION . . . . . THERMISTOR (V57733) . . . . . WASHER, CRUSH . . . . . SAFETY WIRE . . . . .	NP 1 1 AR	