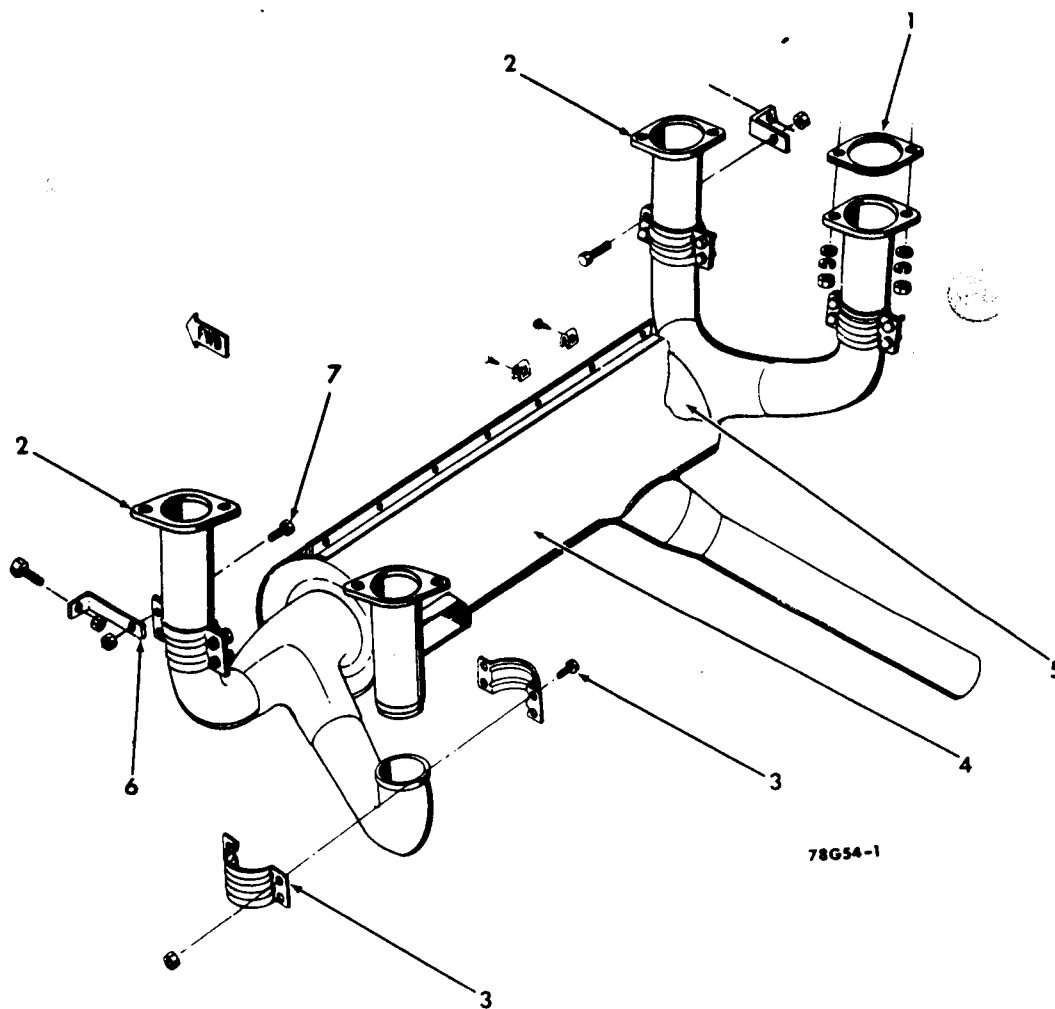


CHAPTER 78

EXHAUST

TABLE OF CONTENTS

<u>SUBJECT</u>	<u>FIGURE NUMBER</u>
HEATER-MUFFLER EXHAUST INSTALLATION (AA-5A)	78-1
HEATER-MUFFLER EXHAUST INSTALLATION (AA-5B)	78-2



Heater - Muffler Exhaust Installation (AA-5A)
Figure 78-1

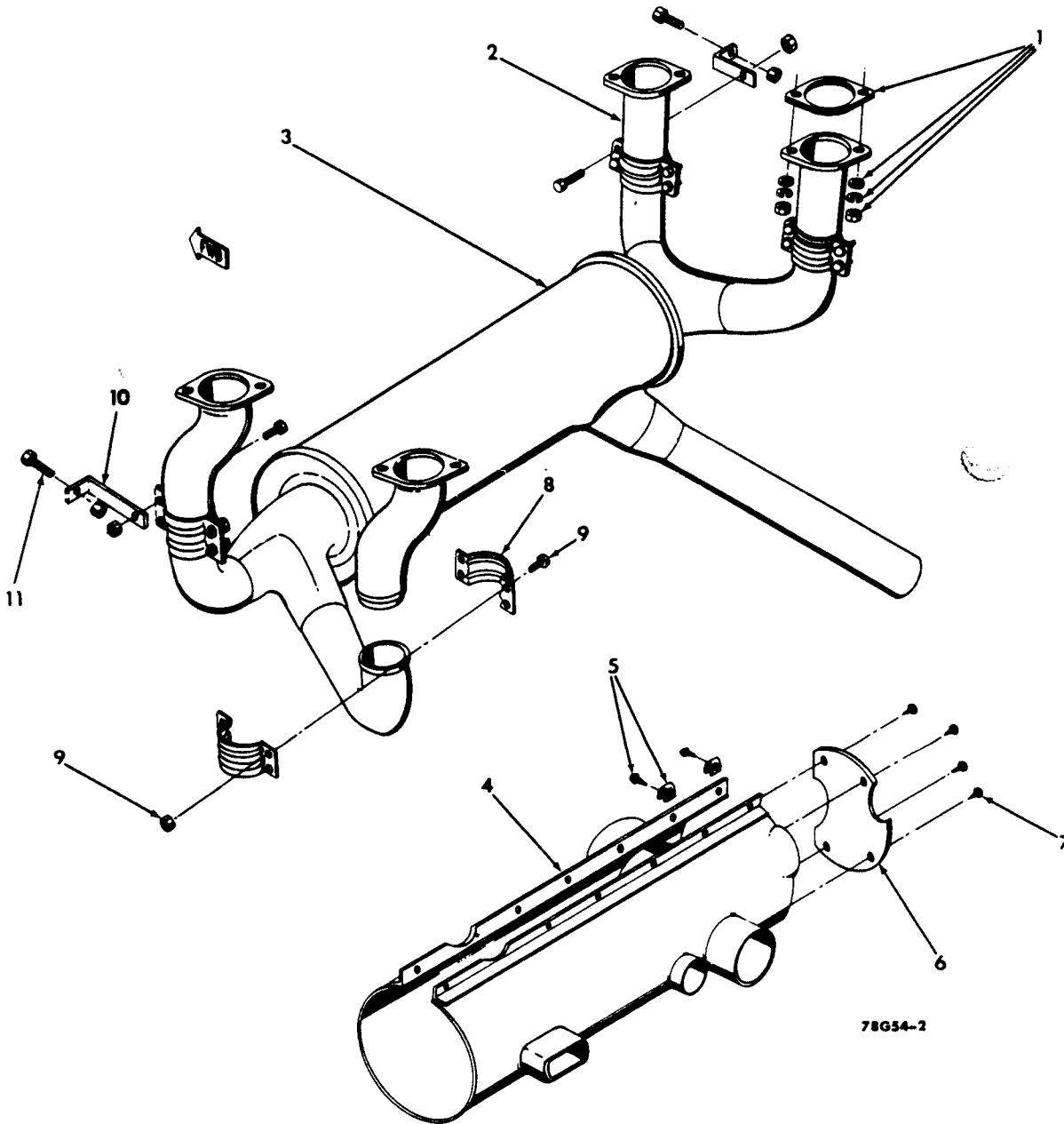
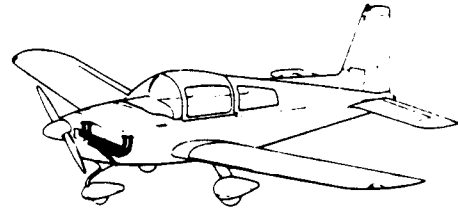
AA-5 SERIES
ILLUSTRATED PARTS CATALOG

Figure & Index No.	Part Number	Nomenclature							Units Per Assy	Usable On Code
		1	2	3	4	5	6	7		
78- 1 -	NO NUMBER 5504003-501 <i>099881-041</i>	HEATER-MUFFLER EXHAUST INSTALLATION - (AA-5A)							NP	
- 1	STD35 AN938A515 STD1410 85321	. HEATER-MUFFLER EXHAUST ASSY							1	
		. (ATTACHING PARTS)								
		. WASHER (V80254) (SUPPLIED WITH ENGINE)							8	
		. WASHER							8	
		. NUT (V80254) (SUPPLIED WITH ENGINE)							8	
		. GASKET (V80254) (SUPPLIED WITH ENGINE)							4	

- 2	EL099001-102 EL099001-194	. . RISER (LH) (V96941)							2	
		. . RISER (RH) (V96941)							2	
		. (ATTACHING PARTS)								
- 3	AN3-4A AN385-1032C EL099005-900	. . BOLT							2	
		. . NUT							2	
		. . BEAD CLAMP (V96941)							2	

- 4	EL099001-197 TYPE 8-B C8062-8Z-1	. . SHROUD ASSY (V96941)							1	
		. . BOLT							7	
		. . NUT (78533)							7	
- 5	EL099001-195	. . MUFFLER SUB ASSY (V96941)							1	
- 6	5502010-20 5502010-22	. SUPPORT (LH)							1	
		. SUPPORT (RH)							1	
		. (ATTACHING PARTS)								
- 7	AN526-1032R6 MS20384-1032	. SCREW							1	
		. NUT							1	

AA-5 SERIES
ILLUSTRATED PARTS CATALOG



Heater - Muffler Exhaust Installation (AA-5B)
Figure 78-2

AA-5 SERIES
ILLUSTRATED PARTS CATALOG

Figure & Index No.	Part Number	Nomenclature							Units Per Assy	Usable On Code	
		1	2	3	4	5	6	7			
78- 2	-	NO NUMBER	HEATER-MUFFLER EXHAUST INSTALLATION (AA-5B)							1	
		5504002-501	HEATER-MUFFLER EXHAUST ASSY							1	
		<i>099001-04 L</i>	(ATTACHING PARTS)								
- 1		85321	GASKET (V80254)							4	
		STD1410	NUT (V80254)							8	
		STD475	WASHER (V80254)							8	
		AN938A516	LOCKWASHER							8	
- 2		EL099005-102	RISER (RH)							2	
		EL099005-184	RISER (LH)							2	
- 3		EL099005-191	MUFFLER ASSY							1	
- 4		EL099005-185	SHROUD ASSY							1	
			(ATTACHING PARTS)								
- 5		C-8052-8Z-1	NUT (V78533)							7	
		TYPE 8-B	BOLT							7	
- 6		NO NUMBER <i>099001-6 55</i>	PLATE END							1	
- 7		NO NUMBER	SCREW							3	
- 8		EL099005-100	CLAMP, BEAD (V96941)							8	
			(ATTACHING PARTS)								
- 9		AN385-1032C	NUT							2	
		AN3-49	BOLT							2	
-10		5502010-20	SUPPORT (LH)							1	
		5502010-22	SUPPORT (RH)							1	
			(ATTACHING PARTS)								
-11		AN526-1032R6	SCREW							1	
		MS20384-1032	NUT							1	