

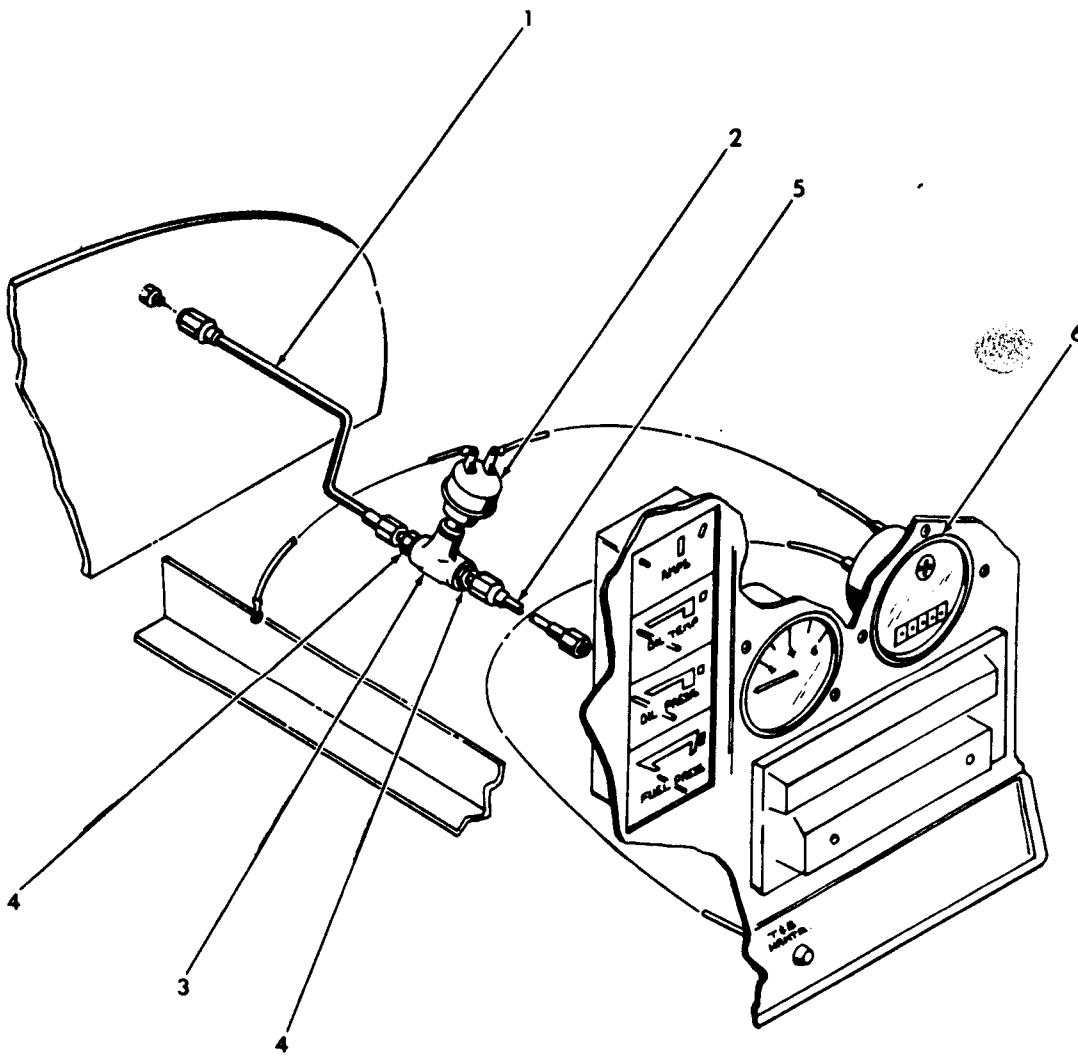
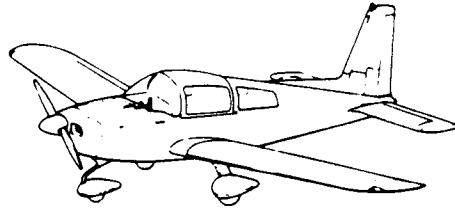
GRUMMAN AMERICAN AVIATION
AA-5 SERIES
ILLUSTRATED PARTS CATALOG

CHAPTER 77

ENGINE INDICATING

TABLE OF CONTENTS

<u>SUBJECT</u>	<u>FIGURE NUMBER</u>
HOURMETER INSTALLATION	77-1
CLUSTER ASSEMBLY	77-2
TACHOMETER AND DRIVE ASSEMBLY	77-3



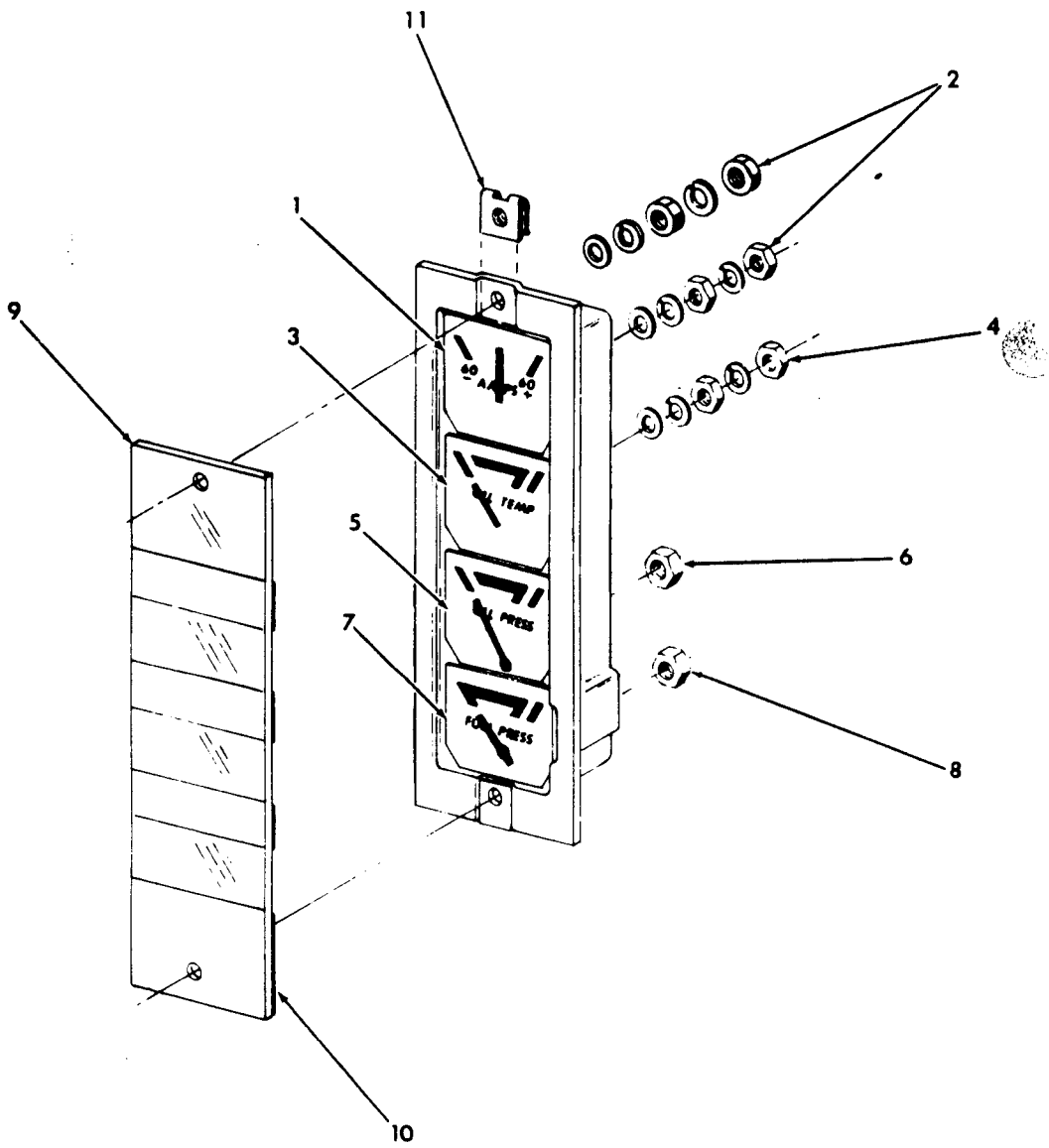
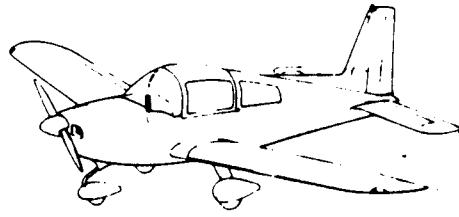
Hourmeter Installation (Optional)
Figure 77-1

77G54-1

GRUMMAN AMERICAN AVIATION

**AA-5 SERIES
ILLUSTRATED PARTS CATALOG**

Figure & Index No.	Part Number	Nomenclature							Units Per Assy	Usable On Code	
		1	2	3	4	5	6	7			
77- 1	-	804005-505	HOURMETER INSTALLATION (OPTIONAL)							NP	
- 1		804005-504	· TUBE ASSY							1	
- 2		2904-81-H 40558	· PRESSURE SWITCH (V09527)							1	
- 3		AN917-1D	· PRESSURE SWITCH (V16476) (ALT.)							1	
- 4		AN816-4D	· TEE							1	
- 5		804005-503	· UNION							2	
- 6		M-5600	· TUBE ASSY							1	
		771	· HOURMETER (V74400)							1	
			· HOURMETER (V06096) (ALT.)							1	

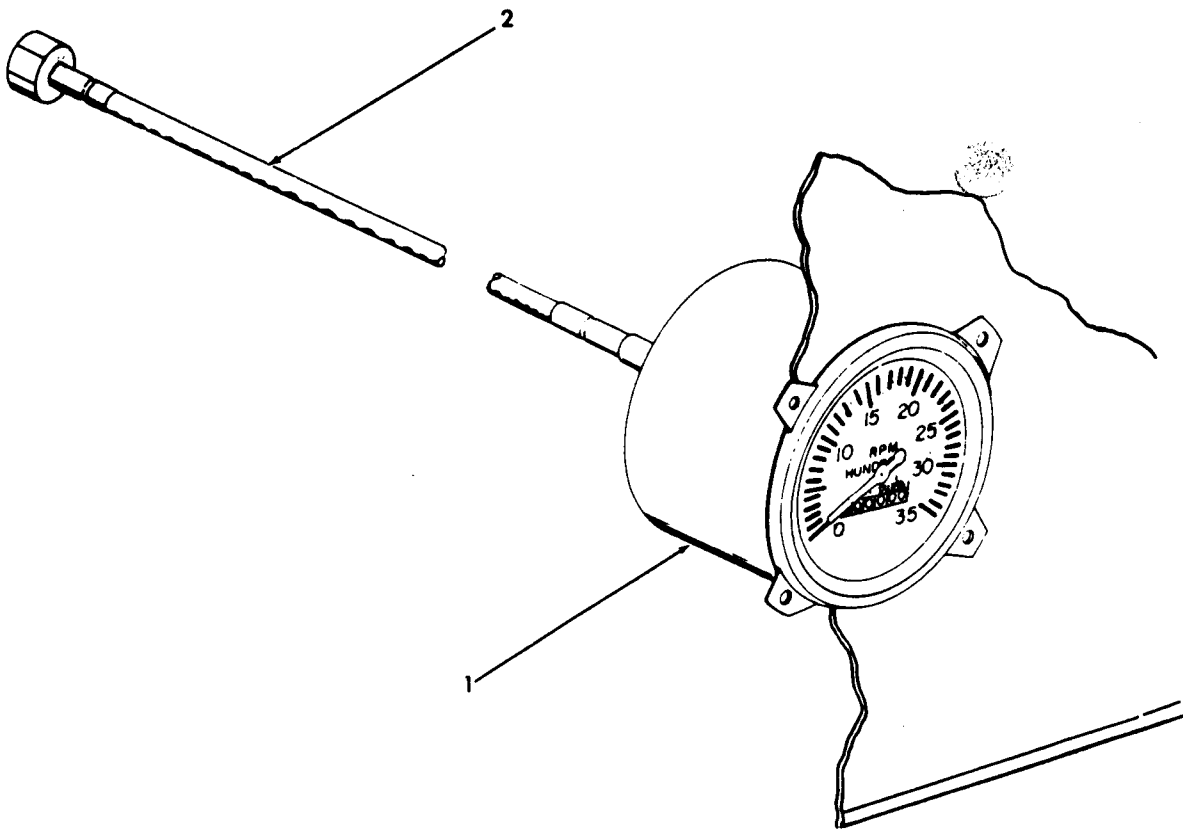
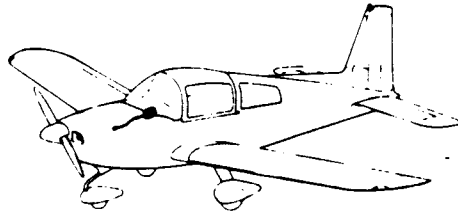


Cluster Assembly
 Figure 77-2

77G54-2

GRUMMAN AMERICAN AVIATION
AA-5 SERIES
ILLUSTRATED PARTS CATALOG

Figure & Index No.	Part Number	Nomenclature	Units	Usable Or Code	
			Per Assy		
		1 2 3 4 5 6 7			
77- 2	-	5801010-501	CLUSTER ASSY (SEE FIGURE 34-1 FOR INSTALLATION)	REF	
	- 1	440450	GAGE - AMMETER (V57733) (ATTACHING PARTS)	1	
	- 2	AN960-10L	WASHER	2	
		AN935-10L	WASHER	4	
		AN341-10	NUT	4	
	- 3	442799-P	GAGE - OIL TEMP (V57733) (ATTACHING PARTS)	1	
	- 4	AN960-10L	WASHER	2	
		AN935-10L	WASHER	4	
		AN341-10	NUT	4	
	- 5	444646-P	GAGE - OIL PRESS (V57733) (ATTACHING PARTS)	1	
	- 6	AC-356-720	NUT	1	
- 7	444616-P	GAGE - FUEL PRESS (V57733) (ATTACHING PARTS)	1		
- 8	AC-356-720	NUT	1		
- 9	5801015-501	CASE ASSY	1		
- 10	5801015-2	GLASS	1	AR	
- 11	3855	DECAL (V26086)	2		
	NAS395-13-1	CLIPNUT	NP		
	NO NUMBER	CASE			



Tachometer and Drive Assembly
Figure 77-3

77G54-3

AA-5 SERIES
ILLUSTRATED PARTS CATALOG

Figure & Index No.	Part Number	Nomenclature 1 2 3 4 5 6 7	Units Per Assy	Usable On Code
77- 3 - - 1 - 2	NO NUMBER 801012-2 801012-4 446642-295	TACHOMETER AND DRIVE ASSY TACHOMETER (SEE FIGURE 34-1 FOR INSTALLATION) TACHOMETER (SEE FIGURE 34-1 FOR INSTALLATION) TACHOMETER SHAFT (V57733) A = AA5A-0283 AND SUBSEQUENT B = AA5B-0400 AND SUBSEQUENT	NP REF REF 1	A B