

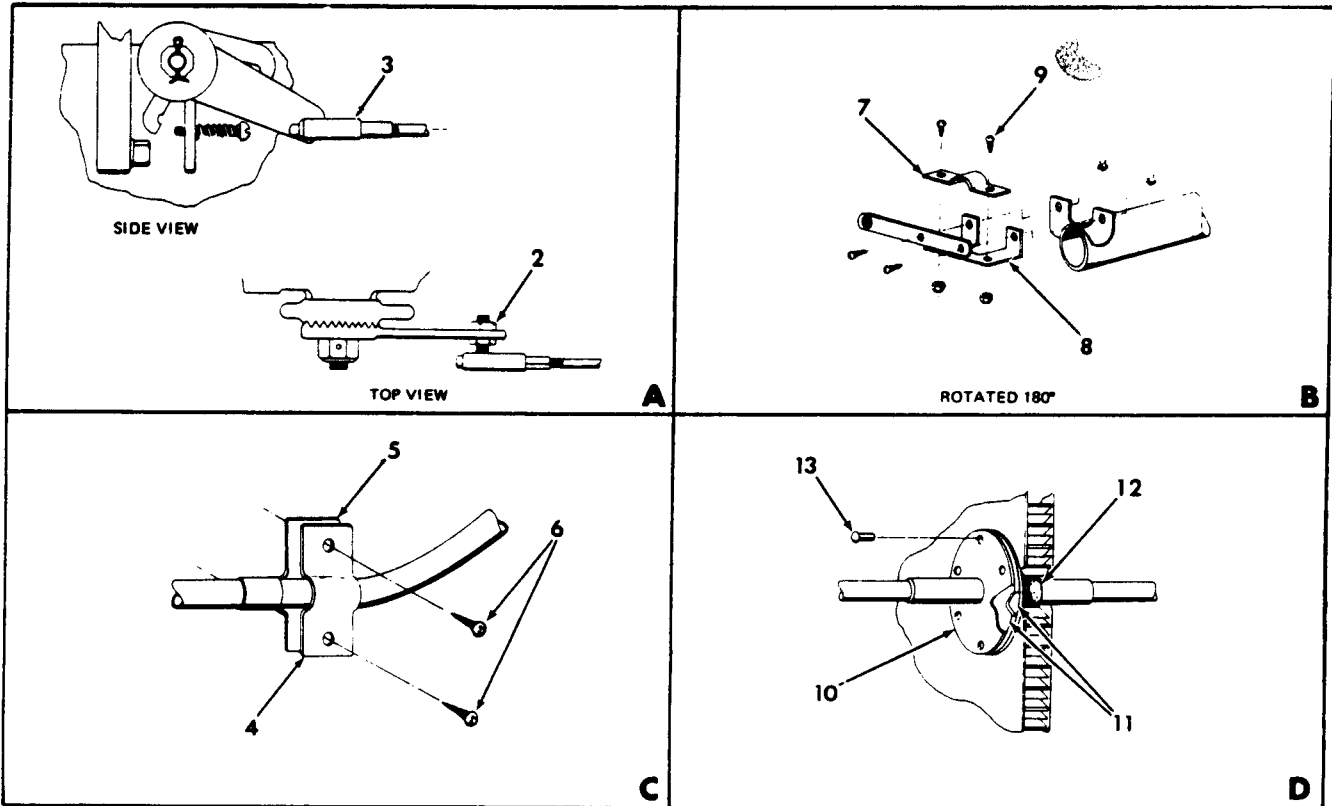
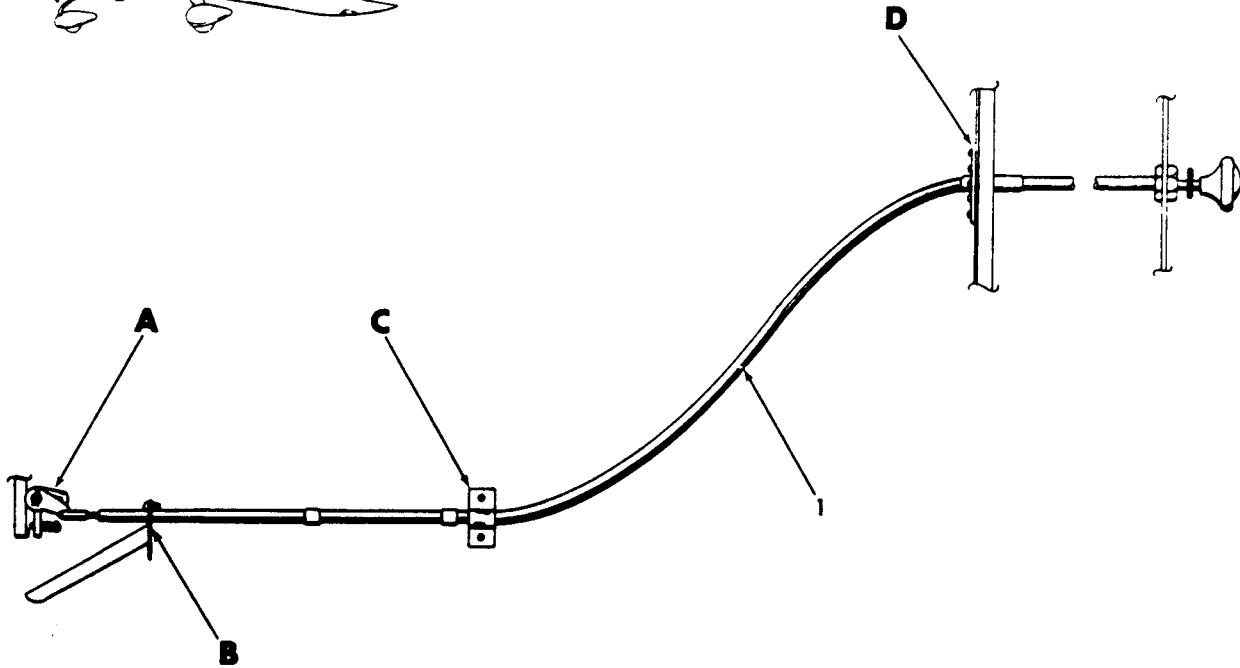
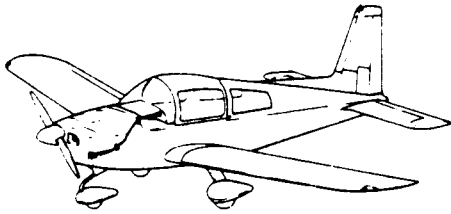
AA-5 SERIES
ILLUSTRATED PARTS CATALOG

CHAPTER 73
ENGINE FUEL AND CONTROLS

TABLE OF CONTENTS

<u>SUBJECT</u>	<u>FIGURE NUMBER</u>
THROTTLE CONTROL INSTALLATION	73-1
MIXTURE CONTROL INSTALLATION	73-2
FUEL PRESSURE LINE INSTALLATION	73-3

AA-5 SERIES
ILLUSTRATED PARTS CATALOG



Throttle Control Installation
Figure 73-1

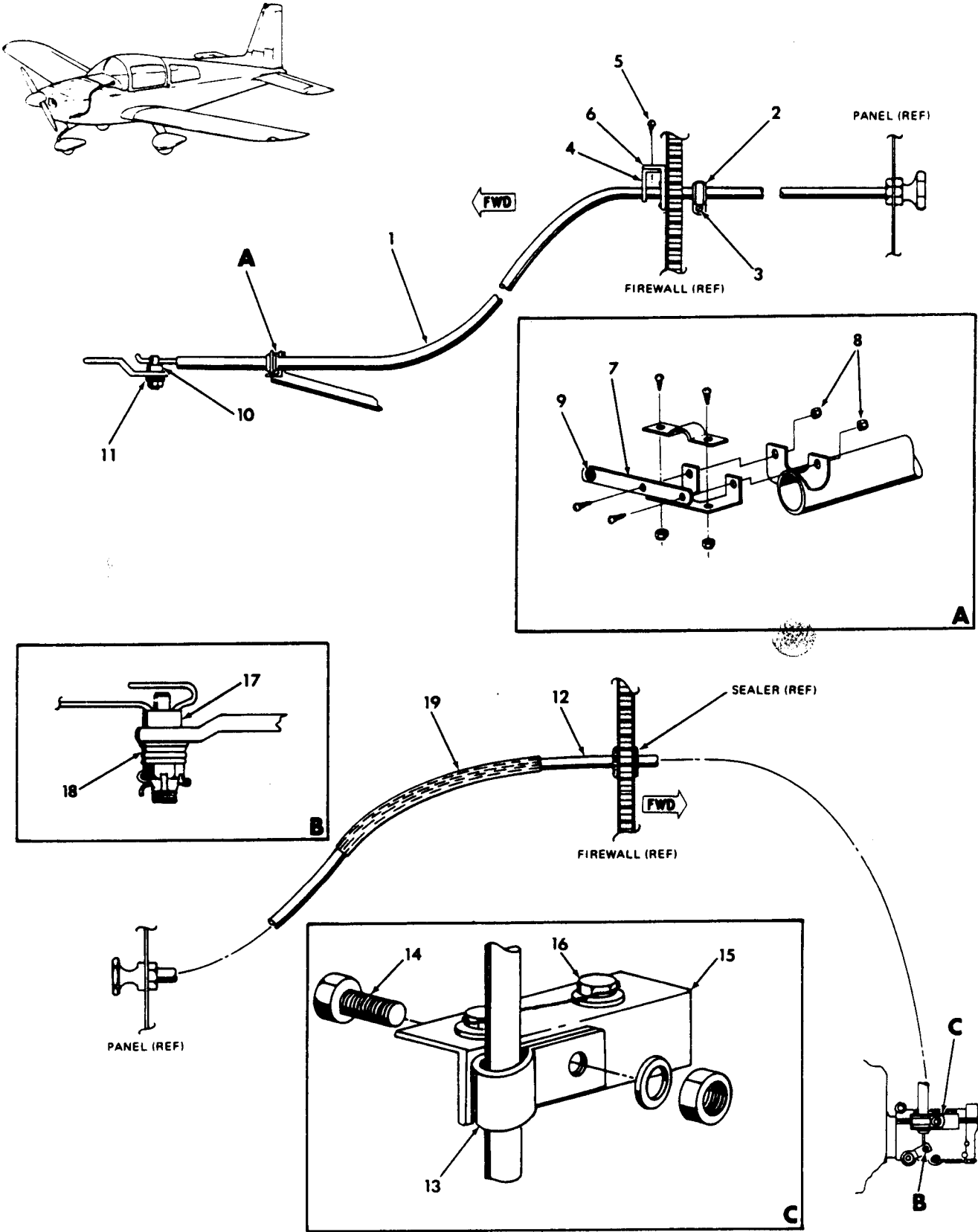
73G54-1

AA-5 SERIES
ILLUSTRATED PARTS CATALOG

Figure & Index No.	Part Number	Nomenclature						Units Per Assy	Usable On Code
		1	2	3	4	5	6		
73- 1 -	NO NUMBER	THROTTLE CONTROL INSTALLATION						NP	
- 1	507005-2	. THROTTLE CONTROL (V70436)						1	A
	507005-3	. THROTTLE CONTROL (V70436)						1	B
		(ATTACHING PARTS)							
- 2	MS20364-1032	. NUT						1	
- 3	LK862-1	. BALLJOINT (V70436)						1	
- 4	160-A2	. CLAMP (V70436)						1	B
- 5	MT-969	. SHIM (V70436)						1	B
- 6	MS35207-264	. SCREW						2	B
- 7	501112-8	. CLAMP						1	A
- 8	501112-11	. RETAINER						1	A
- 9	AN526-632R7	. SCREW						2	A
	MS20365-632C	. NUT						2	A
-10	500008-9	. COVER - FIREWALL						1	
-11	500008-8	. SEAL						2	
-12	SB-562-6	. BUSHING (V28520)						1	
-13	CR2249-4-4	. RIVET (V05693)						6	

		A - AA5A-0283 AND SUBSEQUENT							
		B - AA5B-0400 AND SUBSEQUENT							

AA-5 SERIES
ILLUSTRATED PARTS CATALOG



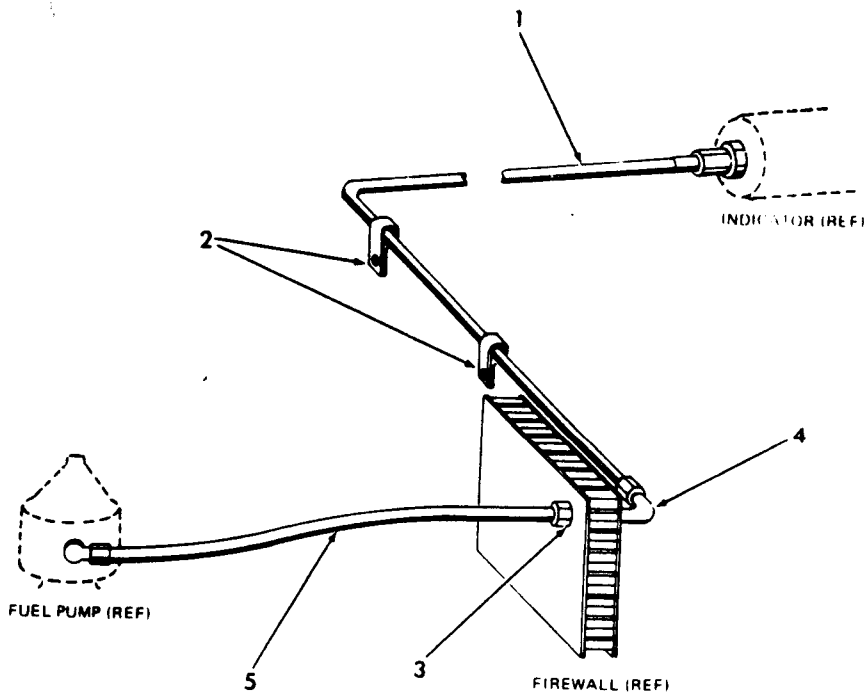
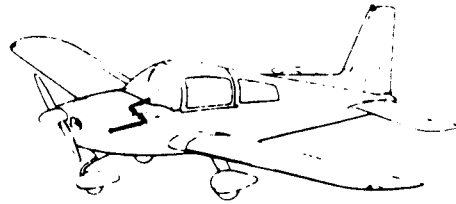
Mixture Control Installation
Figure 73-2

73G54-2

GRUMMAN AMERICAN AVIATION
AA-5 SERIES
ILLUSTRATED PARTS CATALOG

Figure & Index No.	Part Number	Nomenclature							Units Per Assy	Usable On Code	
		1	2	3	4	5	6	7			
73- 2	NO NUMBER	MIXTURE CONTROL INSTALLATION							NP	A	
- 1	507001-2	MIXTURE CONTROL (ATTACHING PARTS)							1		
- 2	MS21919DG3	CLAMP							1		
- 3	AN526-1032R5	SCREW							1		
	MS20364-1032	NUT							1		
- 4	MS21919DG3	CLAMP							1		
- 5	AN526-1032R6	SCREW							1		
	AN960-10	WASHER							1		
	MS20365-1032	NUT							1		
- 6	AN743-13	BRACKET							2		
	1601-0410	RIVET (V19738)							1		
- 7	501112-9	RETAINER							2		
- 3	AN526-632R7	SCREW							2		
	MS20365-632C	NUT							1		
- 9	SB-312-3	BUSHING (V28520)							1		
-10	3A-665-3/16	SWIVEL ASSY (V78190)							AR		
-11	AN960-10	WASHER							AR		
-12	5507002-1	MIXTURE CONTROL (ATTACHING PARTS)							1		B
	TY-23M	TY-WRAP							AR		
-13	MS21919DG2	CLAMP							1		
-14	MS35207-261	SCREW							3		
	AN960-10	WASHER							1		
	MS20364-1032	NUT							1		
-15	5507003-1	BRACKET							2		
-16	1224-5/8	SCREW							2		
	78-A122	WASHER							AR		
	MS20995C32	SAFETY WIRE							1		
-17	3A-665-3/16	SWIVEL ASSY (V78190)							AR		
-18	AN960-10	WASHER							AR		
-19	PVC-105-3/8X12.0	COVER							1	B	
		A = AA5A-0283 AND SUBSEQUENT									
		B = AA5B-0400 AND SUBSEQUENT									

GRUMMAN AMERICAN AVIATION
AA-5 SERIES
ILLUSTRATED PARTS CATALOG



73G54-3

Fuel Pressure Line Installation
Figure 73-3

AA-5 SERIES
ILLUSTRATED PARTS CATALOG

Figure & Index No.	Part Number	Nomenclature							Units Per Assy	Usable On Code
		1	2	3	4	5	6	7		
73- 3	NO NUMBER	FUEL PRESSURE LINE INSTALLATION							NP	
- 1	5500006-4	. TUBE - FUEL PRESSURE							1	A
	5500009-2	. TUBE - FUEL PRESSURE							1	B
		(ATTACHING PARTS)								
- 2	MS21919DG4	. CLAMP							2	
	MS35206-243	. SCREW							2	
	A8-75	. RIVNUT (V03481)							2	
- 3	AN818-4D	. NUT							2	
	MS20819-4D	. SLEEVE							2	
- 4	AN833-4	. ELBOW							1	
	AN960-716	. WASHER							1	
	AN924-4D	. NUT							1	
- 5	111F417-4-0190	. HOSE ASSY (V98441)							1	
	94F10000HF190	. HOSE ASSY (V14798) (ALT)							AR	
		A = AA5A-0283 AND SUBSEQUENT								
		B = AA5B-0400 AND SUBSEQUENT								