

AA-5 SERIES
ILLUSTRATED PARTS CATALOG

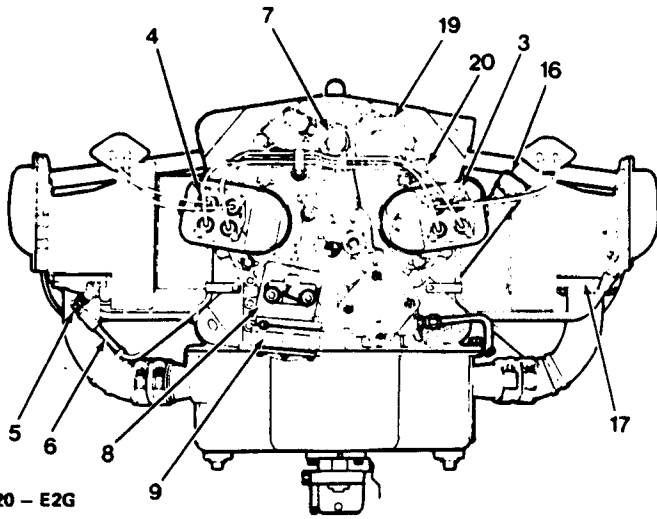
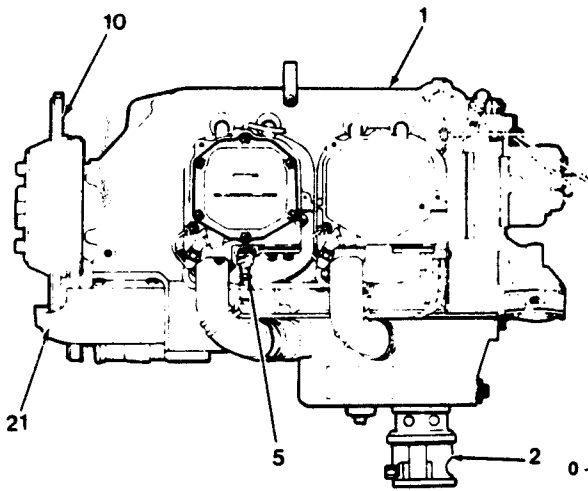
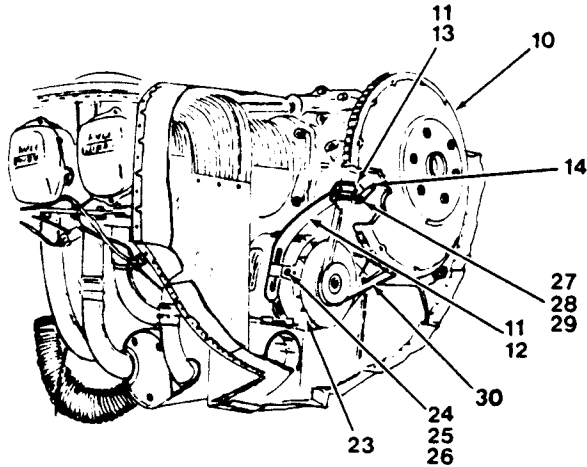
CHAPTER 71

POWER PLANT

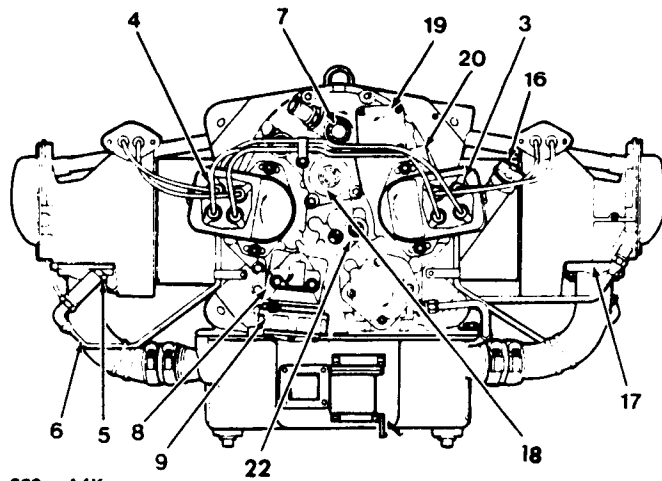
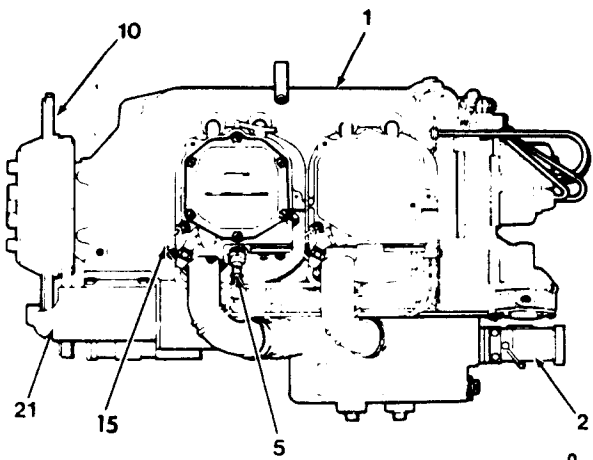
TABLE OF CONTENTS

<u>SUBJECT</u>	<u>FIGURE NUMBER</u>
ENGINE AND ACCESSORIES INSTALLATION	71-1
ENGINE BAFFLES INSTALLATION, (AA-5A)	71-2
ENGINE BAFFLES INSTALLATION (AA-5B)	71-3
ENGINE MOUNT INSTALLATION	71-4
COWL, UPPER, INSTALLATION	71-5
COWL, LOWER, INSTALLATION	71-C
COWL, FORWARD, INSTALLATION	71-7

AA-5 SERIES
ILLUSTRATED PARTS CATALOG



0-320-E2G



0-380-A4K

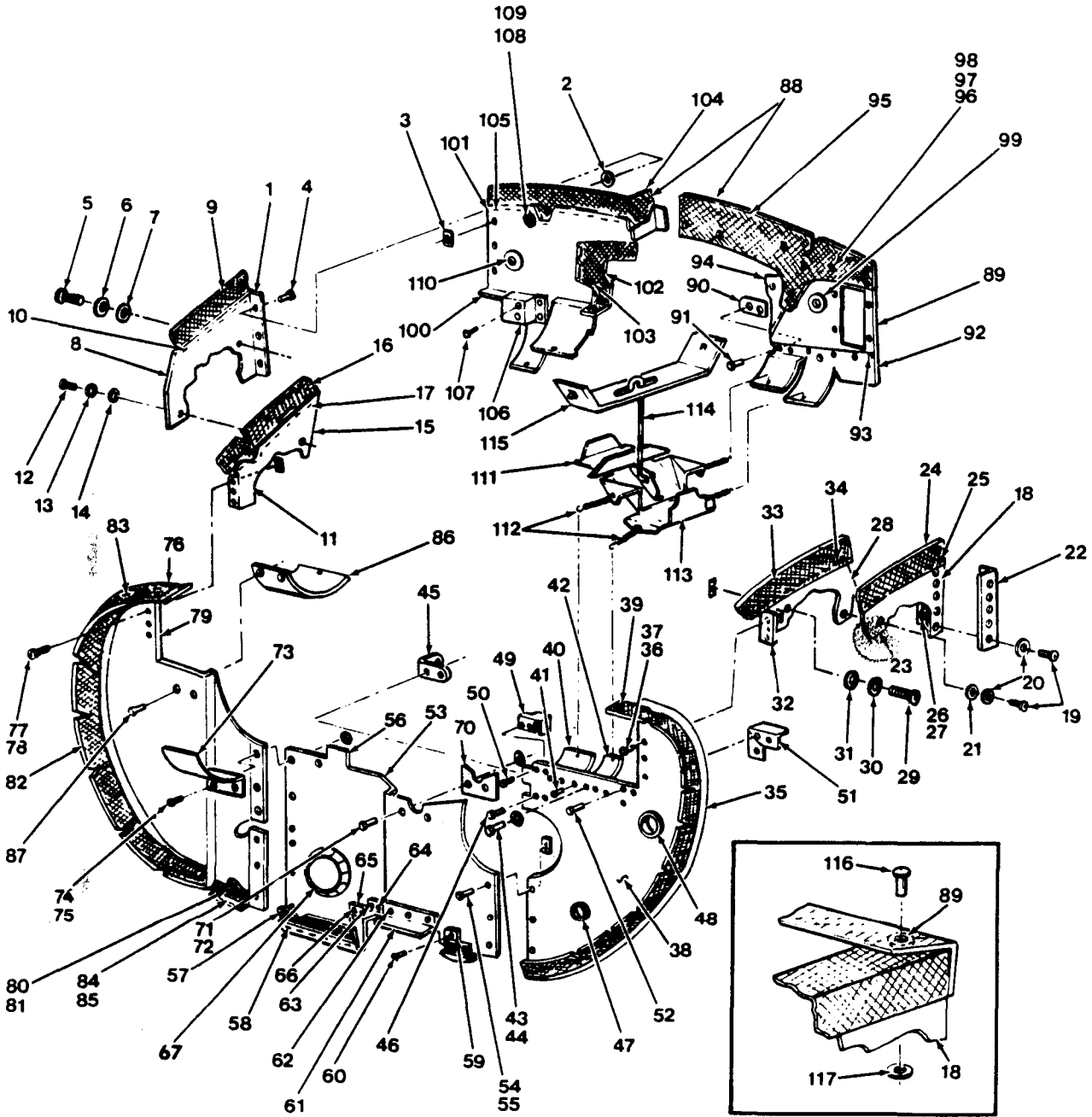
Engine and Accessories Installation
Figure 71-1

71G54-1

AA-5 SERIES
ILLUSTRATED PARTS CATALOG

Figure & Index No.	Part Number	Nomenclature							Units Per Assy	Usable On Code	
		1	2	3	4	5	6	7			
71- 1	-	NO NUMBER	ENGINE AND ACCESSORIES INSTALLATION							NP	
		5500005-501	ENGINE AND ACCESSORIES							1	A
		5500008-501	ENGINE AND ACCESSORIES							1	B
- 1		0-320-E2G	ENGINE (V80254)							1	A
		0-360-A4K	ENGINE (V80254)							1	B
- 2		MA-45SPA(10-5062)	CARBURETOR (MARVEL-SCHIEBLER)							1	A
		MA-45SPA(10-5009)	CARBURETOR (MARVEL-SCHIEBLER)							1	A
		HA-6 (10-5092)	CARBURETOR (MARVEL-SCHIEBLER)							1	B
- 3		4050	MAGNETO, RIGHT (V09033)							1	
- 4		4051	MAGNETO, LEFT (V09033)							1	
- 5		EM41E	SPARK PLUG (V80254)							8	A
		EM42E	SPARK PLUG (V80254)							AR	A
		REM40E	SPARK PLUG (V80254)							8	B
- 6		NO NUMBER	SHIELDED IGNITION (V09033)							1	
- 7		NO NUMBER	TACHOMETER DRIVE							1	
- 8		NO NUMBER	FUEL PUMP DRIVE							1	
- 9		AC TYPE JT	FUEL PUMP							1	
-10		NO NUMBER	STARTER & ALTERNATOR DRIVES							1	
		NO NUMBER	STARTER (V19728)							1	
-11		NO NUMBER	ALTERNATOR BRACKET ASSY							1	
-12		75380 <i>LW 10 729</i>	BRACKET (V80254)							1	
-13		74324 <i>26 906</i>	BRACKET (V80254)							1	
-14		74323 <i>76 905</i>	BRACKET (V80254)							1	
-15		NO NUMBER	PRIMER SYSTEM (CYL 1, 2, 3, & 4)							1	
-16		NO NUMBER	OIL FILLER (11.50 IN LENGTH)							1	
-17		NO NUMBER	EXHAUST GASKET							4	
-18		NO NUMBER	THERMO BYPASS VALVE							1	
-19		NO NUMBER	VACUUM PUMP PORT (V80254)							1	B
-20		76101	OIL PRESSURE PORT (V80254)							1	B
-21		NO NUMBER	STARTER SOLENOID (ELECTRO MAGNETIC)							1	A
-22		NO NUMBER	FLARED TUBE, 3/8, OIL COOLER PROVISION							1	A
			NOTE: REFER TO LYCOMING ENGINE MANUAL FOR ABOVE CURRENT PART NUMBERS AND ACCESSORIES.								
-23		DOFF-10300J	ALTERNATOR (V28040)							1	
			(ATTACHING PARTS)								
-24		MS20384-720C	NUT							1	
-25		AN960-716	WASHER							2	
-26		AN7-40A	BOLT							1	
-27		AN960-616	WASHER							1	
-28		MS20074-06-07	BOLT							1	
-29		MS20995-C32	WIRE, SAFETY							AR	
-30		5500013-1	BELT, ALTERNATOR DRIVE							1	
			A = AA5A-0283 AND SUBSEQUENT								
			B = AA5B-0400 AND SUBSEQUENT								

AA-5 SERIES
ILLUSTRATED PARTS CATALOG



Engine Baffle Installation (AA-5A)
Figure 71-2

71G54-2

AA-5 SERIES
ILLUSTRATED PARTS CATALOG

Figure & Index No.	Part Number	Nomenclature							Units Per Assy	Usable On Code
		1	2	3	4	5	6	7		
71-2	NO NUMBER	ENGINE BAFFLE INSTALLATION (AA-5A)							NP	
- 1	5502006-502	. BAFFLE ASSY, (RH SIDE)							1	
		. (ATTACHING PARTS)								
- 2	XB-10224	. SOCKET (UNITED CARR)							1	
- 3	A1181-6Z-1	. NUT (V78533)							3	
- 4	GAES1021Z6-6	. SCREW							2	
- 5	MS35265-80	. SCREW							2	
- 6	AN936A416	. LOCKWASHER							2	
- 7	500006-3	. WASHER							2	
- 8	5502018-2	. BAFFLE, HALF							1	
- 9	5502006-2	. SEAL							1	
		. (ATTACHING PARTS)								
- 10	5502006-3	. METAL STITCH							AR	
- 11	5502006-503	. BAFFLE ASSY (RH SIDE)							1	
		. (ATTACHING PARTS)								
- 12	MS350265-80	. SCREW							2	
- 13	AN936A416	. LOCKWASHER							2	
- 14	500006-3	. WASHER							2	
- 15	5502018-3	. BAFFLE, HALF							1	
- 16	5502006-4	. SEAL							1	
		. (ATTACHING PARTS)								
- 17	5502006-3	. METAL STITCH							AR	
- 18	5502007-502	. BAFFLE AND SEAL ASSY (LH SIDE)							1	
		. (ATTACHING PARTS)								
- 19	MS35265-80	. SCREW							2	
- 20	AN936A416	. LOCKWASHER							2	
- 21	500006-3	. WASHER							1	
- 22	5502007-4	. STIFFENER							1	
- 23	5502019-2	. BAFFLE, HALF							1	
- 24	5502007-2	. SEAL							1	
		. (ATTACHING PARTS)								
- 25	5502007-3	. METAL STITCH							AR	
- 26	NAS680-A3	. NUTPLATE							2	
- 27	MS20426AD3-4	. RIVET							4	
- 28	5502007-504	. BAFFLE AND SEAL ASSY (LH SIDE)							1	
		. (ATTACHING PARTS)								
- 29	MS35265-80	. SCREW							2	
- 30	AN936A416	. LOCKWASHER							2	
- 31	500006-3	. WASHER							2	
- 32	5502019-4	. BAFFLE, HALF							1	
- 33	5502007-5	. SEAL							1	
		. (ATTACHING PARTS)								
- 34	5502007-3	. METAL STITCH							AR	
- 35	5502010-501	. BAFFLE AND SEAL ASSY (LH FRONT)							1	
		. (ATTACHING PARTS)								
- 36	GAES1021Z8-6	. SCREW							3	
- 37	A1778-8Z-1	. SPEED NUT (V78533)							3	
- 38	5502010-1	. BAFFLE							1	
- 39	5502010-13	. SEAL							1	
- 40	5502010-5	. WRAP, CYLINDER							1	
		. (ATTACHING PARTS)								
- 41	MS20470AD4-4	. RIVET							3	

AA-5 SERIES
ILLUSTRATED PARTS CATALOG

Figure & Index No.	Part Number	Nomenclature							Units Per Assy	Usable On Code
		1	2	3	4	5	6	7		
71- 2 - 42	5502010-6	WRAP, CYLINDER							1	
		(ATTACHING PARTS)								
- 43	MS20470AD4-4	RIVET							3	
- 44	AN960-66	WASHER							3	

- 45	5502010-7	BRACKET							1	
		(ATTACHING PARTS)								
- 46	MS20470AD4-5	RIVET							2	

- 47	MS35459-6	GROMMET							1	
- 48	5502021-3	TUBE							1	
- 49	5502011-12	CLOSEOUT							1	
		(ATTACHING PARTS)								
- 50	MS20470AD4-4	RIVET							6	

- 51	5502011-21	CLOSEOUT							1	
		(ATTACHING PARTS)								
- 52	MS20470AD4-4	RIVET							3	

- 53	5502010-505	BAFFLE ASSY (FRONT CENTER)							1	
		(ATTACHING PARTS)								
- 54	GAES1021Z8-6	SCREW							2	
- 55	A1778-8Z-1	SPEED NUT (V78533)							2	

- 56	5502010-15	BAFFLE							1	
- 57	5502010-14	SEAL							1	
		(ATTACHING PARTS)								
- 58	GAPS-1012	METAL STITCH							AR	

- 59	5502010-8	ANGLE							1	
		(ATTACHING PARTS)								
- 60	1601-0410	RIVET (V19738)							2	

- 61	5502010-9	ANGLE							1	
		(ATTACHING PARTS)								
- 62	1501-0410	RIVETS (V19738)							3	

- 63	5502010-10	ANGLE							1	
		(ATTACHING PARTS)								
- 64	1601-0410	RIVET (V19738)							2	

- 65	5502010-11	ANGLE							1	
		(ATTACHING PARTS)								
- 66	1601-0410	RIVET (V19738)							2	

- 67	5502010-23	SEAL							1	
- 68	AN743-13	BRACKET (NOT USED)							1	
		(ATTACHING PARTS)								
- 69	MS20470AD4-5	RIVET (NOT USED)							2	

- 70	5502010-24	CHAFING STRIP							1	
		(ATTACHING PARTS)								
- 71	AN960-6L	WASHER							2	
- 72	1601-0410	RIVET (V19738)							2	

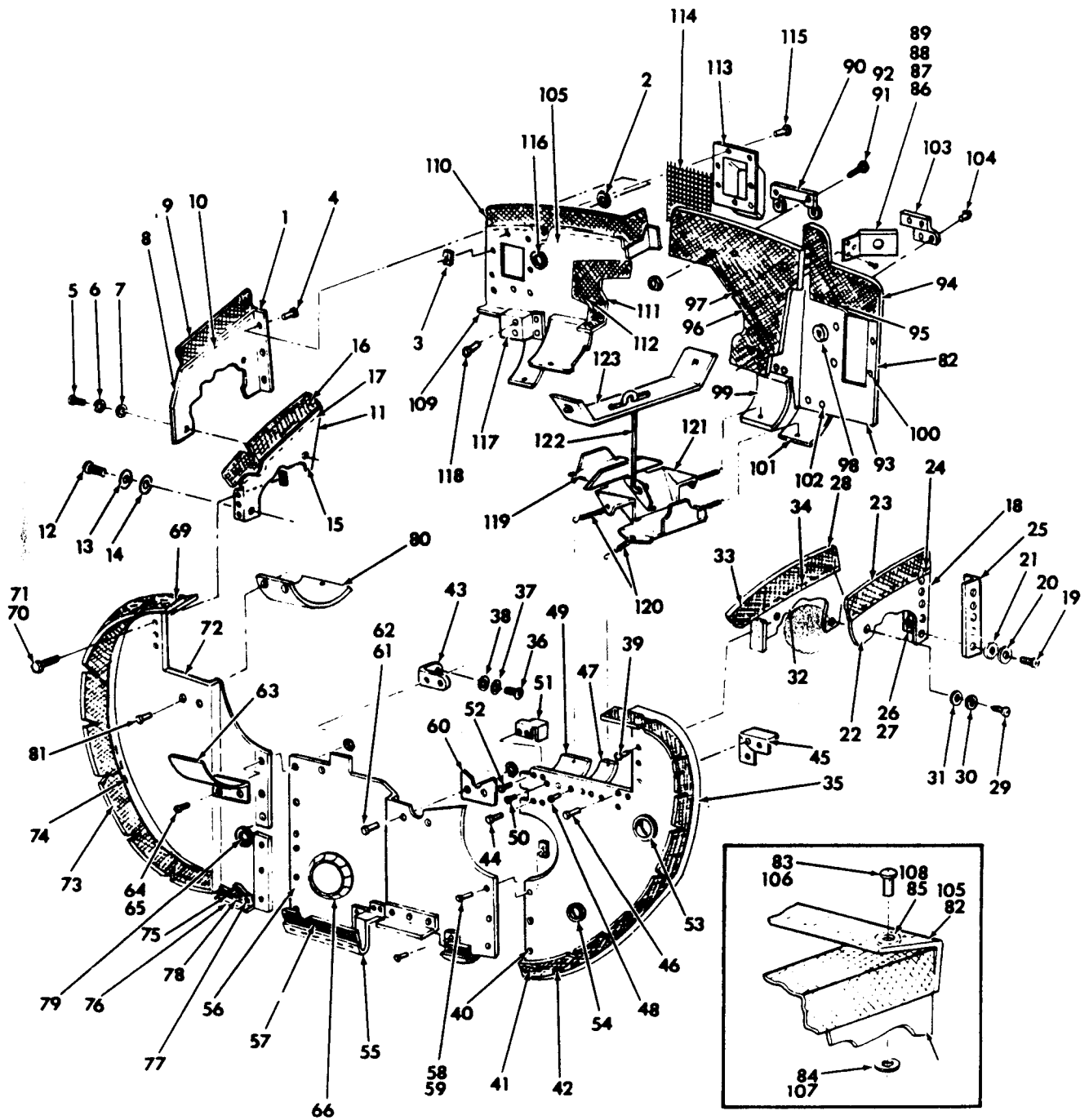
AA-5 SERIES
ILLUSTRATED PARTS CATALOG

Figure & Index No.	Part Number	Nomenclature							Units Per Assy	Usable On Code
		1	2	3	4	5	6	7		
71- 2 - 73	5502010-12	1	
- 74	GAES1021Z8-6	2	
- 75	A1778-8Z-1	2	
- 76	5502010-504	1	
- 77	NO NUMBER	3	
- 78	NO NUMBER	3	
- 79	5502010-16	1	
- 80	5502010-18	1	
- 81	GAPS-1012	AR	
- 82	5502010-19	1	
- 83	GAPS-1012	AR	
- 84	5502010-9	1	
- 85	MS20470AD4-4	3	
- 86	5502010-4	1	
- 87	MS20470AD4-4	2	
- 88	5502033-502	1	
- 89	5502022-502	1	
- 90	5502022-3	1	
- 91	MS20470AD4-6	2	
- 92	5502022-4	1	
- 93	MS20470AD3-4	5	
- 94	5502022-5	1	
- 95	5502033-2	1	
- 96	XB10224	1	
- 97	1601-0410	7	
- 98	AN960-6	7	
- 99	MS35490-15	1	
-100	5502028-502	1	
-101	5502021-4	1	
-102	5502028-1	1	
-103	5502028-3	AR	
-104	5502028-5	1	
-105	5502028-3	AR	
-106	5502021-2	1	
-107	MS20470AD3-3	7	
-108	XB10224	1	
-109	1601-0410	1	

AA-5 SERIES
ILLUSTRATED PARTS CATALOG

Figure & Index No.	Part Number	Nomenclature							Units Per Assy	Usable On Code
		1	2	3	4	5	6	7		
71- 2	-110	MS35490-15	1	
	-111	550006-6	2	
	-112	LE-026C-1	4	
	-113	5500006-6	1	
	-114	NO NUMBER <i>71610</i>	2	
	-115	NO NUMBER <i>71611</i>	2	
	-116	1601-0410	2	
-117	AN960D4	2		
	RTV742	AR		

AA-5 SERIES
ILLUSTRATED PARTS CATALOG



Engine Baffle Installation (AA-5B)
Figure 71-3

71G54-3

AA-5 SERIES
ILLUSTRATED PARTS CATALOG

Figure & Index No.	Part Number	Nomenclature							Units Per Assy	Usable On Code	
		1	2	3	4	5	6	7			
71- 3	-	NO NUMBER	ENGINE BAFFLE INSTALLATION (AA-5B)							NP	
- 1	5502006-502		. BAFFLE ASSY (RH SIDE)							1	
			. (ATTACHING PARTS)								
- 2	XB-10224		. SOCKET (UNITED CARR)							1	
- 3	A1181-6Z-1		. NUT (V78533)							3	
- 4	GAES1021Z6-6		. SCREW							2	
- 5	MS35265-80		. SCREW							2	
- 6	AN936A416		. LOCKWASHER							2	
- 7	500006-3		. WASHER							2	
- 8	5502018-2		. . BAFFLE, HALF							1	
- 9	5502006-2		. . SEAL							1	
			. (ATTACHING PARTS)								
- 10	5502006-3		. . METAL STITCH							AR	
- 11	5502006-503		. BAFFLE ASSY (RH SIDE)							1	
			. (ATTACHING PARTS)								
- 12	MS35265-80		. SCREW							2	
- 13	AN936A416		. LOCKWASHER							2	
- 14	500006-3		. WASHER							2	
- 15	5502018-3		. . BAFFLE, HALF							1	
- 16	5502006-4		. . SEAL							1	
			. (ATTACHING PARTS)								
- 17	5502006-3		. . METAL STITCH							AR	
- 18	5502007-502		. BAFFLE AND SEAL ASSY (LH SIDE)							1	
			. (ATTACHING PARTS)								
- 19	MS35265-80		. SCREW							2	
- 20	AN936A416		. LOCKWASHER							2	
- 21	500006-3		. WASHER							1	
- 22	5502018-2		. . BAFFLE, HALF							1	
- 23	5502007-2		. . SEAL							1	
			. (ATTACHING PARTS)								
- 24	5502007-3		. . METAL STITCH							AR	
- 25	5502007-4		. . STIFFENER							1	
			. (ATTACHING PARTS)								
- 26	NAS680-A3		. . NUTPLATE							2	
- 27	MS20428AD3-4		. . RIVET							4	
- 28	5502007-504		. BAFFLE AND SEAL ASSY (LH SIDE)							1	
			. (ATTACHING PARTS)								
- 29	MS35265-80		. SCREW							2	
- 30	AN936A416		. LOCKWASHER							2	
- 31	500006-3		. WASHER							2	
- 32	5502018-4		. . BAFFLE, HALF							1	
- 33	5502007-5		. . SEAL							1	
			. (ATTACHING PARTS)								
- 34	5502007-3		. . METAL STITCH							AR	
- 35	5502011-501		. BAFFLE AND SEAL ASSY (FRONT LH)							1	
			. (ATTACHING PARTS)								
- 36	MS35265-80		. SCREW							1	
- 37	AN960A416L		. WASHER							1	
- 38	AN960-416		. WASHER							1	
- 39	MS20470AD4-4		. RIVET							3	

AA-5 SERIES
ILLUSTRATED PARTS CATALOG

Figure & Index No.	Part Number	Nomenclature							Units Per Assy	Usable On Code	
		1	2	3	4	5	6	7			
71- 3	- 40	5502011-1	1	
	- 41	5502010-13	1	
	- 42	GAPS1012	AR	
	- 43	5502010-7	1	
	- 44	MS20470AD4-5	2	
	- 45	5502010-21	1	
	- 46	MS20470AD4-4	3	
	- 47	5502010-6	1	
	- 48	MS20470AD4-4	3	
	- 49	5502011-5	1	
	- 50	MS20470AD4-4	3	
	- 51	5502011-12	1	
	- 52	MS20470AD4-4	2	
	- 53	5502021-3	1	
	- 54	MS35489-6	1	
	- 55	5502011-505	1	
	- 56	5502011-13	1	
	- 57	5502011-9	1	
	- 58	GAES1021-28-6	6	
	- 59	A1778-8Z-1	6	
	- 60	5502010-24	1	
	- 61	1601-0410	2	
	- 62	AN960-6L	2	
	- 63	5502011-4	1	
	- 64	GAES1021-28-6	2	
	- 65	A1778-8Z-1	2	
	- 66	5502010-23	1	
	- 67	AN743-13	1	
	- 68	MS20470AD4-5	2	
	- 69	5502011-504	1	
	- 70	GAES1021-28-1	7	
	- 71	A1778-8Z-1	7	
	- 72	5502011-14	1	
	- 73	5502010-19	1	
	- 74	GAPS1012	AR	
	- 75	5502010-18	1	
	- 76	5502010-9	1	
	- 77	MS20470AD4-4	3	
	- 78	GAPS1012	AR	

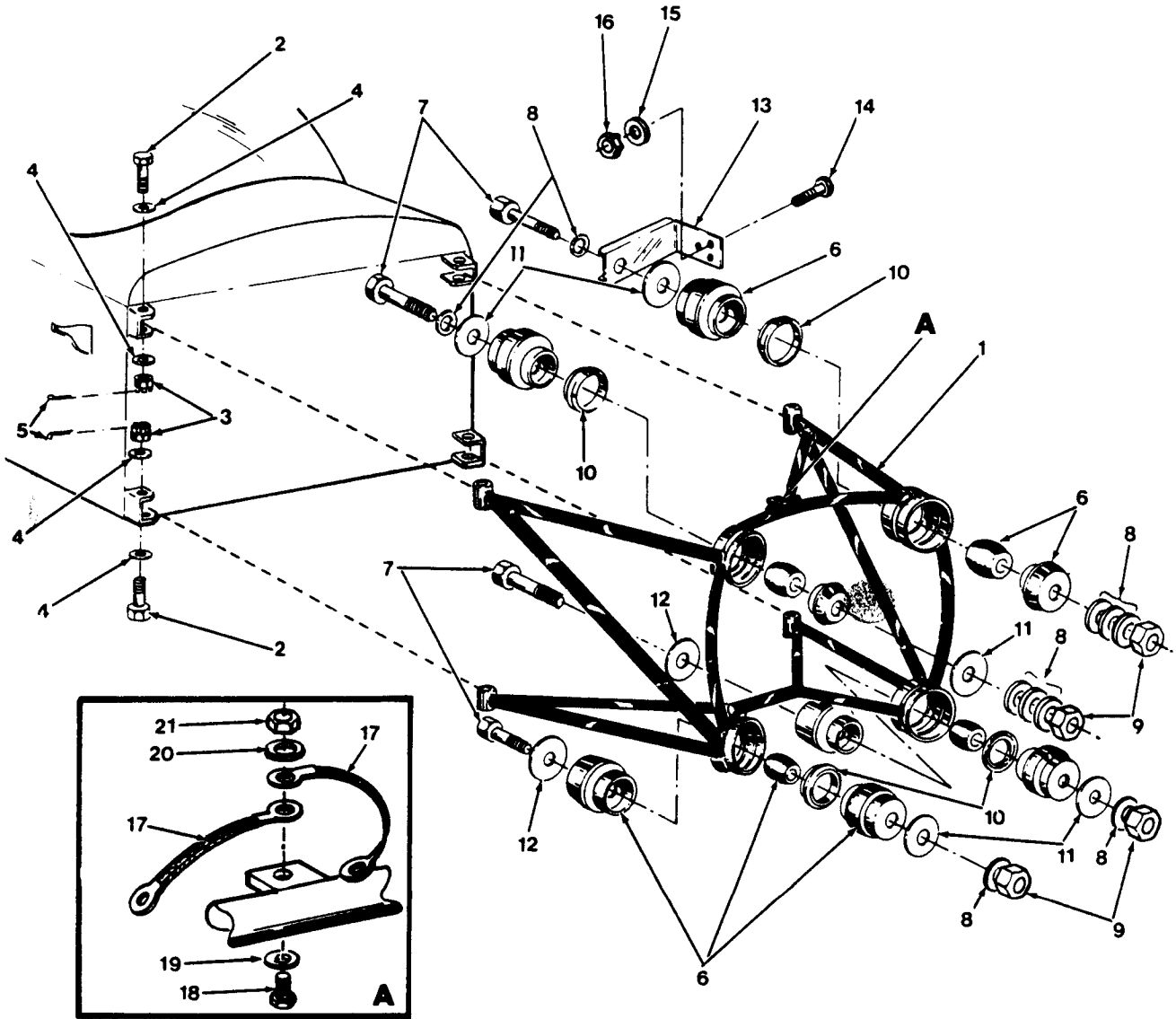
AA-5 SERIES
ILLUSTRATED PARTS CATALOG

Figure & Index No.	Part Number	Nomenclature							Units Per Assy	Usable On Code
		1	2	3	4	5	6	7		
71- 3	- 79	MS35490-15	.	.	GROMMET	.	.	.	1	
	- 80	5502010-4	.	.	WRAP, CYL.	.	.	.	1	
					(ATTACHING PARTS)					
	- 81	MS20470AD4-4	.	.	RIVET	.	.	.	4	
	- 82	5502012-503	.	.	BAFFLE AND SEAL ASSY (REAR LH)	.	.	.	1	
					(ATTACHING PARTS)					
	- 83	1601-0410	.	.	RIVET (V19738)	.	.	.	1	
	- 84	AN960D4	.	.	WASHER	.	.	.	1	
	- 85	RTV742	.	.	SEALANT (V78500)	.	.	.	AR	
	- 86	5505004-1	.	.	BRACKET	.	.	.	1	
					(ATTACHING PARTS)					
	- 87	MS20385-1032	.	.	NUT	.	.	.	3	
	- 88	AN960-10	.	.	WASHER	.	.	.	3	
	- 89	MS35207-264	.	.	SCREW	.	.	.	3	
	- 90	5502012-11	.	.	BRACKET	.	.	.	1	
					(ATTACHING PARTS)					
	- 91	A1181-6Z-1	.	.	NUT (V78533)	.	.	.	2	
	- 92	GAES1021-Z6-6	.	.	SCREW	.	.	.	2	
	- 93	5502012-1	.	.	BAFFLE	.	.	.	1	
	- 94	5502012-7	.	.	SEAL	.	.	.	1	
					(ATTACHING PARTS)					
	- 95	GAPS1012	.	.	METAL STITCH	.	.	.	AR	
	- 96	5502012-8	.	.	SEAL	.	.	.	1	
					(ATTACHING PARTS)					
	- 97	GAPS1012	.	.	METAL STITCH	.	.	.	AR	
	- 98	MS35490-15	.	.	GROMMET	.	.	.	1	
	- 99	5502012-2	.	.	WRAP, CYL.	.	.	.	1	
					(ATTACHING PARTS)					
	-100	MS20470AD4-5	.	.	RIVET	.	.	.	3	
	-101	5502012-3	.	.	WRAP, CYL.	.	.	.	1	
					(ATTACHING PARTS)					
	-102	MS20470AD4-5	.	.	RIVET	.	.	.	2	
	-103	5502012-4	.	.	CLIP	.	.	.	1	
					(ATTACHING PARTS)					
	-104	MS20470AD4-5	.	.	RIVET	.	.	.	2	
	-105	5502012-504	.	.	BAFFLE AND SEAL ASSY (REAR RH)	.	.	.	1	
					(ATTACHING PARTS)					
	-106	1601-0410	.	.	RIVET (V19738)	.	.	.	1	
	-107	AN960D4	.	.	WASHER	.	.	.	1	
	-108	RTV742	.	.	SEALANT (V78500)	.	.	.	AR	
	-109	5502012-5	.	.	BAFFLE	.	.	.	1	
	-110	5502012-6	.	.	SEAL	.	.	.	1	
	-111	5502012-12	.	.	SEAL	.	.	.	1	
					(ATTACHING PARTS)					
	-112	GAPS1012	.	.	METAL STITCH	.	.	.	AR	
	-113	5502012-505	.	.	DUCT ASSY	.	.	.	1	
					(ATTACHING PARTS)					
	-114	5502012-13	.	.	SCREEN	.	.	.	1	
	-115	MS20470AD4-5	.	.	RIVET	.	.	.	4	

AA-5 SERIES
ILLUSTRATED PARTS CATALOG

Figure & Index No.	Part Number	Nomenclature							Units Per Assy	Usable On Code
		1	2	3	4	5	6	7		
71- 3	-116	MS35490-15	.	.	GROMMET	.	.	.	1	
	-117	5502021-2	.	.	STIFFENER	.	.	.	1	
					(ATTACHING PARTS)					
	-118	MS20470AD3-4	.	.	RIVET	.	.	.	7	
	-119	5500006-6	.	.	BAFFLE ASSY (INTER CYLINDER)	.	.	.	2	
					(ATTACHING PARTS)					
	-120	LE-026C-1	.	.	SPRING (V84830)	.	.	.	4	
	-121	NO NUMBER	.	.	BAFFLE ASSY	.	.	.	1	
					(ATTACHING PARTS)					
-122	NO NUMBER	.	.	HANGER, WIRE	.	.	.	1		
-123	NO NUMBER	.	.	CLIP SPRING	.	.	.	1		

AA-5 SERIES
ILLUSTRATED PARTS CATALOG



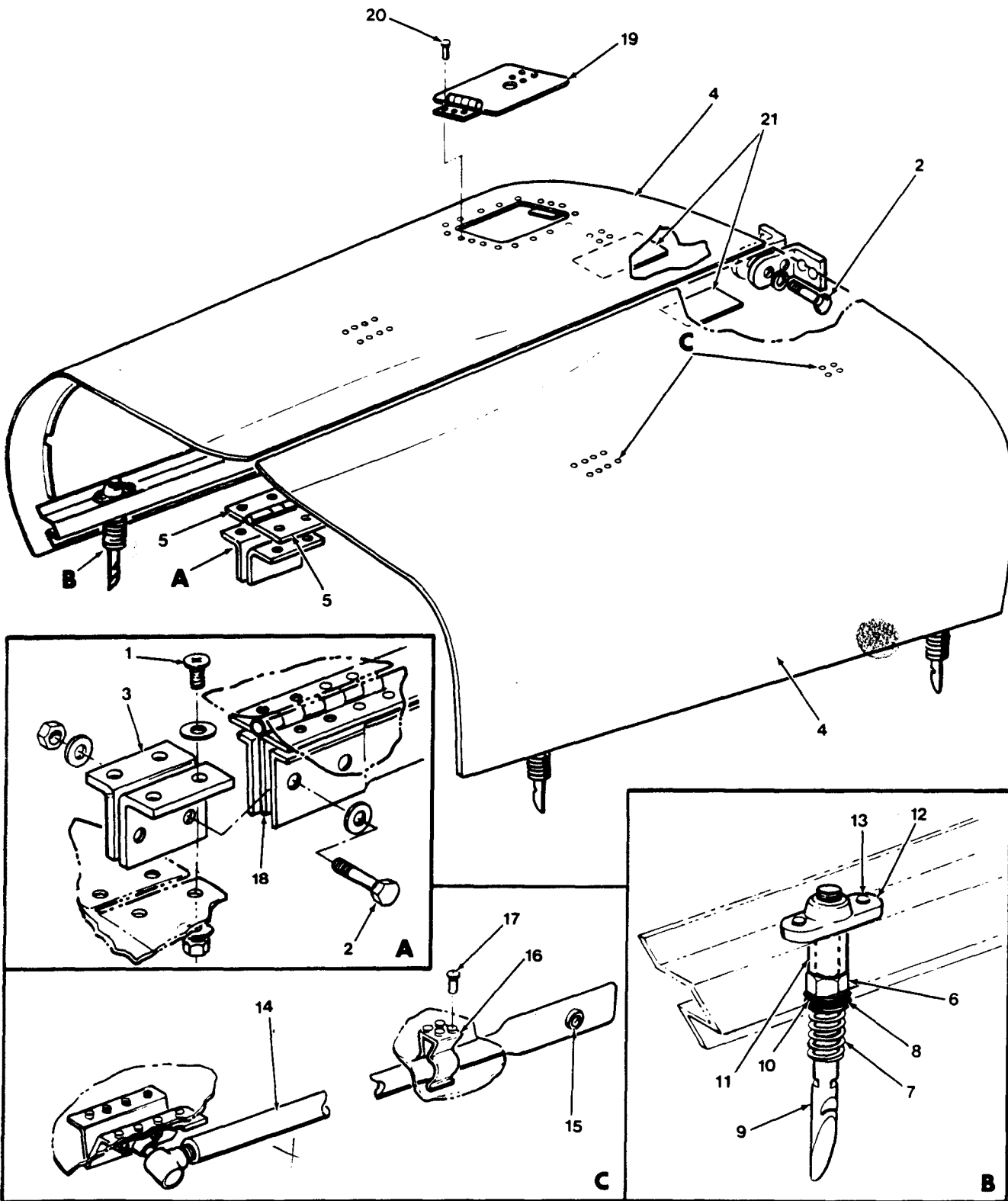
71G54-4

Engine Mount Installation
Figure 71-4

AA-5 SERIES
ILLUSTRATED PARTS CATALOG

Figure & Index No.	Part Number	Nomenclature	Units Per Assy	Usable On Code
71- 4	<i>5501111-501</i> NO NUMBER	ENGINE MOUNT INSTALLATION	NP	A
- 1	5501111-501	ENGINE MOUNT (ATTACHING PARTS)	1	
- 2	AN6-21	BOLT	4	
- 3	AN310-6	NUT	4	
- 4	AN960-616	WASHER	8	
- 5	MS24665-283	COTTER PIN	4	
- 6	J9613-59	MOUNTING KIT (V76005)	4	
- 7	AN7-44A	BOLT	4	
	AN7-45B	BOLT (ALT)	4	B
- 8	AN960-116	WASHER	8	
- 9	MS20365-720C	NUT	4	
-10	5501111-15	SPACER	4	
-11	5500014-1	WASHER (UPPER)	AR	
	J2218-61	WASHER (ALT) (V76005)	AR	B
-12	J2218-6	WASHER (LOWER) (V76005)	2	B
-13	5505004-1	BRACKET (ATTACHING PARTS)	1	B
-14	MS35207-264	SCREW	3	B
-15	AN960-10	WASHER	3	B
-16	MS20365-1032	NUT	3	B
-17	542005-501	GROUND STRAP ASSY (ATTACHING PARTS)	2	
-18	AN4-4A	BOLT	1	
-19	AN838B416	LOCKWASHER	1	
-20	AN960-416	WASHER	1	
-21	MS20364-428	NUT	1	
		<i>A = AASA 02834 Sub</i>		
		B = AA5B-0400 AND SUBSEQUENT		

AA-5 SERIES
ILLUSTRATED PARTS CATALOG



71G54-5

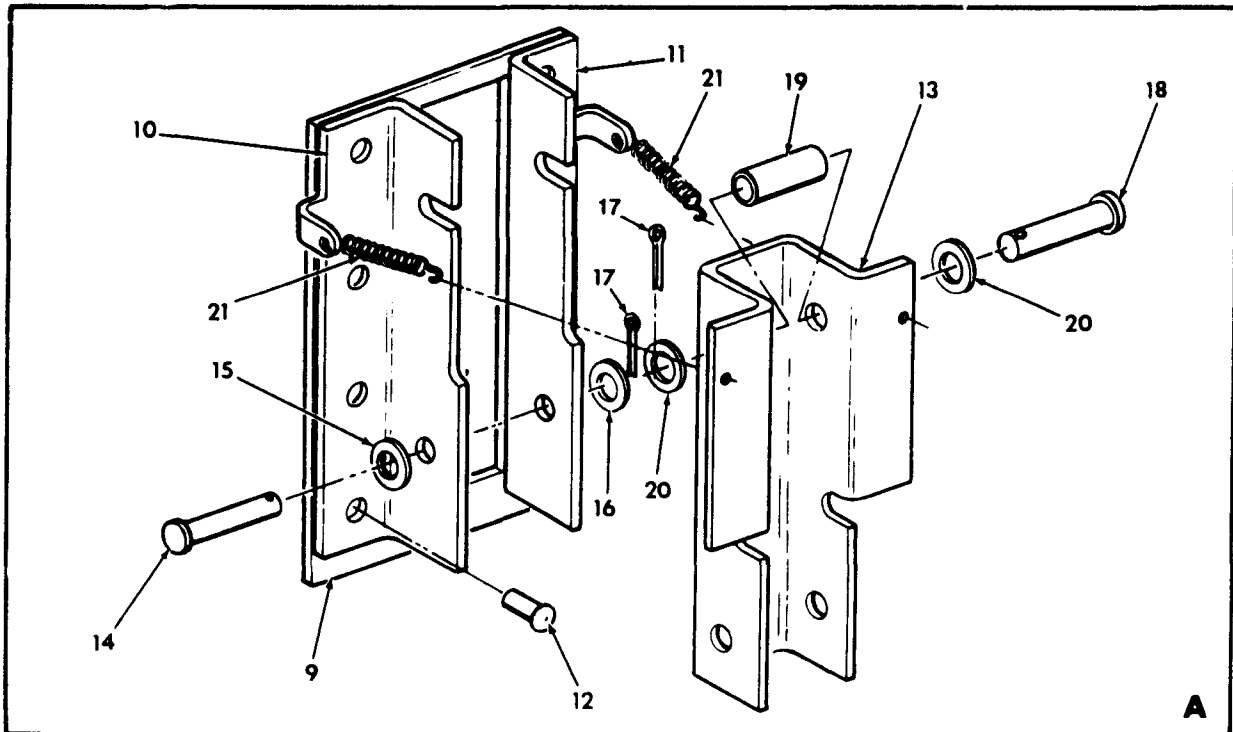
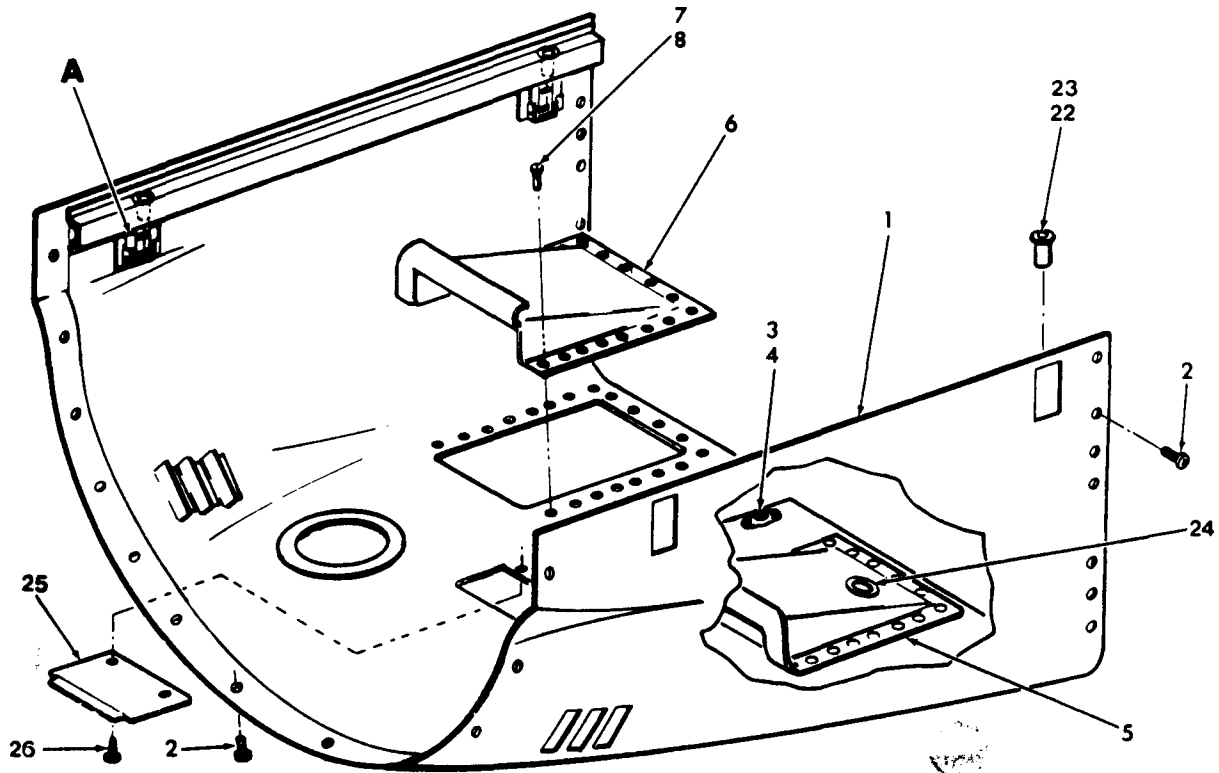
Upper Cowl Installation
Figure 71-5

71
Page 18
April 15/77

AA-5 SERIES
ILLUSTRATED PARTS CATALOG

Figure & Index No.	Part Number	Nomenclature							Units Per Assy	Usable On Code
		1	2	3	4	5	6	7		
71- 5 -	NO NUMBER 5101028-506	COWL, UPPER, INSTALLATION							NP	
		COWL ASSY (UPPER)							1	
		(ATTACHING PARTS)								
- 1	MS24694-S6	SCREW							4	
	A3135-017-24A	WASHER							4	
	AN960-8	WASHER							4	
	MS20365-832	NUT							4	
- 2	AN3-4A	BOLT							4	
	AN960-10	WASHER							4	
	MS20364-1032	NUT							4	
- 3	5101043-1	BRACKET							2	
- 4	5101028-901	COWL ASSY (LH)							1	
	5101028-902	COWL ASSY (RH)							1	
- 5	5101030-3	HINGE HALF (LH)							NP	
	5101030-4	HINGE HALF (RH)							NP	
	5101029-501	LATCH PIN ASSY							2	
- 6	AN316-6R	NUT							1	
- 7	LC-045H-7	SPRING (V84830)							1	
- 8	5901015-1 <i>777 to 35483</i>	RETAINER							1	
- 9	5101029-1	PIN							1	
-10	AN960-616	WASHER							2	
-11	5101038-2	SPACER							2	
-12	NAS680A6	NUTPLATE							2	
		(ATTACHING PARTS)								
-13	1601-0410	RIVET (V19738)							2	
	5101025-5G1	SUPPORT ROD ASSY (LH)							1	
	5101025-502	SUPPORT ROD ASSY (RH)							1	
-14	5101025-503	TUBE ASSY (LH)							1	
	5101025-504	TUBE ASSY (RH)							1	
-15	MS20364-832	NUT							1	
	AN960-P	WASHER							1	
	XX10376-12	STUD							1	
-16	C22146-017	CLIP							1	
		(ATTACHING PARTS)								
-17	MS20426AD4-4	RIVET							2	
-18	5101030-901	HINGE ASSY							1	
	5804016-501	DOOR INSTALLATION, OIL ACCESS (RH) (OPT)							AR	
-19	101019-503	DOOR ASSY							1	
		(ATTACHING HARDWARE)								
-20	MS20426AD3-5	RIVET							3	
-21	5803007-46	PLACARD							2	**
		* = IF OIL ACCESS DOOR IS REQUIRED, SO SPECIFY WHEN ORDERING 5101028-902								
		** = REFER TO CHAPTER 11 FOR PLACARDS.								

AA-5 SERIES
ILLUSTRATED PARTS CATALOG



Lower Cowl Installation
Figure 71-6

71G54-6

71
Page 20
April 15/77

AA-5 SERIES
ILLUSTRATED PARTS CATALOG

Figure & Index No.	Part Number	Nomenclature							Units Per Assy	Usable On Code
		1	2	3	4	5	6	7		
71- 6	-	NO NUMBER							NP	
- 1	5101031-502	COWL, LOWER, INSTALLATION							1	A
	5101031-501	COWL ASSY (LOWER)							1	B
		COWL ASSY (LOWER)								
		(ATTACHING PARTS)								
- 2	MS24693-S50	SCREW							40	A
	MS24693-S50	SCREW							41	B
- 3	NAS680A08	NUTPLATE							7	
- 4	MS20426AD3-4	RIVET							14	

- 5	5101041-1	DUCT (LH)							1	
- 6	5101041-2	DUCT (RH)							1	
		(ATTACHING PARTS)								
- 7	1604-0412	RIVET (V19738)							20	
- 8	AN960-6L	WASHER							20	

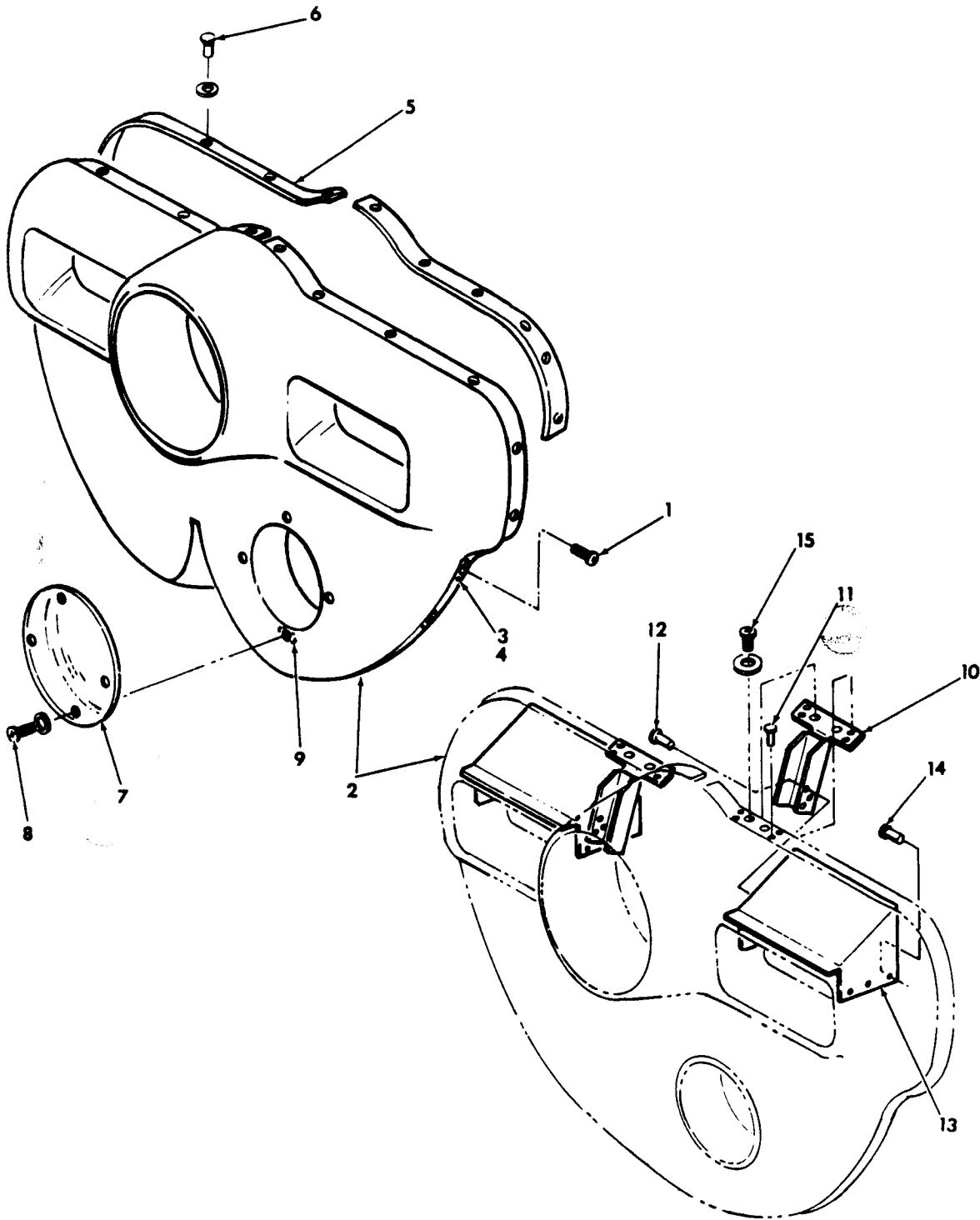
- 9	5101032-7	DOUBLER							4	
-10	5101032-2	ANGLE (LH)							4	
-11	5101032-4	ANGLE (RH)							4	
		(ATTACHING PARTS)								
-12	MS20426AD4-5	RIVET							40	

-13	5101032-5	LATCH							4	
		(ATTACHING PARTS)								
-14	MS20392-2C43	CLEVIS PIN							1	
-15	AN960-10	WASHER							2	
-16	AN960-10L	WASHER							3	
-17	MS24665-132	COTTER PIN							6	
-18	MS20392-1C33	CLEVIS PIN							1	
-19	5101032-6	SLEEVE							1	
-20	AN960-4	WASHER							2	
-21	LE026C-001	SPRING, MW (V84830)							2	

-22	5101038-3	BUSHING, GUIDE							4	
		(ATTACHING PARTS)								
-23	A867-017-3	PUSH NUT (V78533)							4	

-24	MS35490-20	GROMMET							1	
-25	5101042-1	PANEL - ACCESS							1	A
-26	AN526-1032R8	SCREW							6	A
	AN960-10L	WASHER							6	A
		A = AA5A-0283 AND SUBSEQUENT								
		B = AA5B-0400 AND SUBSEQUENT								

AA-5 SERIES
ILLUSTRATED PARTS CATALOG



Forward Cowling Installation
Figure 71-7

71G54-7

71
Page 22
April 15/77

AA-5 SERIES
ILLUSTRATED PARTS CATALOG

Figure & Index No.	Part Number	Nomenclature							Units Per Assy	Usable On Code	
		1	2	3	4	5	6	7			
71-7	-	NO NUMBER 5101034-501 5101034-502	COWL, FORWARD, INSTALLATION							NP	
			COWL ASSY							1	A
			COWL ASSY							1	B
			(ATTACHING PARTS)								
	- 1	MS24893-S50	SCREW							REF	
	- 2	5101034-1 5101034-2	COWL							1	A
			COWL							1	B
			(ATTACHING PARTS)								
	- 3	NAS680-A08 NAS680-A08	NUTPLATE							14	A
			NUTPLATE							15	B
	- 4	1204-0306 1204-0306	RIVET (V19738)							28	A
			RIVET (V19738)							30	B
	- 5	5101034-3	CHAFFE STRIP (RAYBESTOS)							2	
			(ATTACHING PARTS)								
	- 6	1604-0412 AN960-4	RIVET (V19738)							6	
- 7	5101035-1	WASHER							6		
		COVER							1		
		(ATTACHING PARTS)									
- 8	MS24894-S4 A3135-017-24A	SCREW							4		
		WASHER (V78533)							4		
- 9	(NAS680-A08) <i>3 of 2</i> 1204-0306	NUTPLATE							4		
		RIVET (V19738)							8		
- 10	5101044-501	BRACKET ASSY							2	B	
		(ATTACHING PARTS)									
- 11	1604-0412	RIVET (V19738)							4	B	
- 12	1604-0410	RIVET (V19738)							3	B	
- 13	5101034-5 5101034-4	SHROUD (LH)							1		
		SHROUD (RH)							1		
		(ATTACHING PARTS)									
- 14	1604-0410	RIVET (V19738)							10		
- 15	MS24894-S8 A3135-017-24A AN960-8 MS20385-832	SCREW							4		
		WASHER							4		
		WASHER							4		
		NUT							4		
		A = AA5A-0283 AND SUBSEQUENT									
		B = AA5B-0400 AND SUBSEQUENT									