

**AA-5 SERIES
ILLUSTRATED PARTS CATALOG**

CHAPTER 61

PROPELLER

TABLE OF CONTENTS

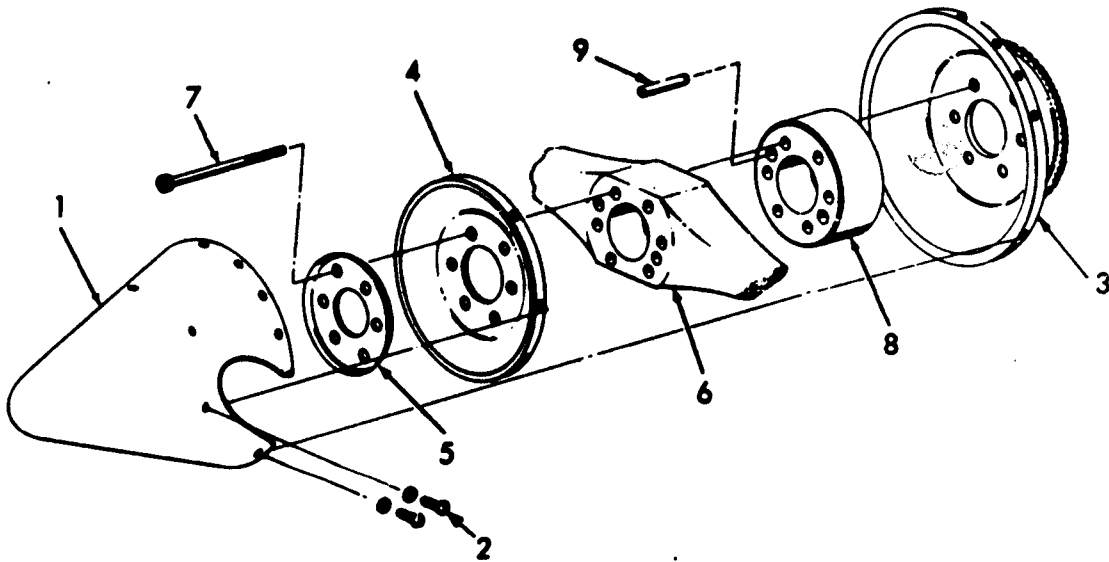
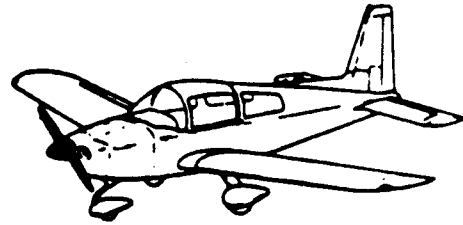
SUBJECT

PROPELLER INSTALLATION

**FIGURE
NUMBER**

61-1

**AA-5 SERIES
ILLUSTRATED PARTS CATALOG**



AA-5A-0283 thru 829 Having Service Kit 143¹ Installed and 0830 and Subsequent.

AA-5B-0400 thru 1047 Having Service Kit 143² Installed and 1048 and Subsequent.

**Propeller Installation
Figure 61-1**

**AA-5 SERIES
ILLUSTRATED PARTS CATALOG**

Figure & Index No.	Part Number	Nomenclature							Units Per Assy	Usable On Code	
		1	2	3	4	5	6	7			
61-1- - 1 - 2 - 3 - 4 - 5 - 6 - 7 - 8 - 9	5500017-501	SPINNER/PROPELLER INSTALLATION							NP	C	R
	5500017-503	SPINNER/PROPELLER INSTALLATION							NP	C	R
	5500017-901	.SPINNER ASSY (ALL SPARES)							1	A	R
	5599917-903	.SPINNER ASSY (ALL SPARES)							1	B	R
	5506009-3	. SPINNER							1	A,B	R
		(ATTACHING PARTS)									
		.SCREW							22	A,B	R
		. WASHER							22	A,B	R

		. BULKHEAD ASSY, AFT							1	A	R
		. BULKHEAD ASSY, AFT							1	B	R
		. BULKHEAD ASSY, FWD							1	A	R
		. BULKHEAD ASSY, FWD							1	B	R
		. DOUBLER							1	A	R
		. DOUBLER							1	B	R

		. PROPELLER (V76275)							1	A	R
		. PROPELLER (V76275)							1	E	R
		. PROPELLER (V76275)							1	F	R
		. PROPELLER (V76275) (ALTERNATE FOR 1A170/KFA7563)							1	F	R
		(ATTACHING PARTS)									
		. BOLT (V76275)							6	A	R
		. BOLT (V76275) (ALTERNATE FOR A2513-79)							6	A	R
		. BOLT (V76275)							6	B	R

		. SPACER (V76275)							1	A	R
		. SPACER (V76275)							1	B	R
		. DOWEL PIN (V76275)							2	A,B	R

A = AA5A - 0283 AND SUBSEQUENT
 B = AA5B - 0400 AND SUBSEQUENT
 C = AA5A - 0830 AND SUBSEQUENT
 D = AA5B - 1048 AND SUBSEQUENT
 E = AA5B - 0400 THRU 1323
 F = AA5B - 1324 AND SUBSEQUENT AND SPARES

* ANY NON-METALLIC WASHER CONFORMING DIMENSIONALLY TO NAS1515J3L MAY BE USED UNDER HEAD OF SCREW TO PREVENT SCORING OF THE SPINNER DURING INSTALLATION