

AA-5 SERIES
ILLUSTRATED PARTS CATALOG

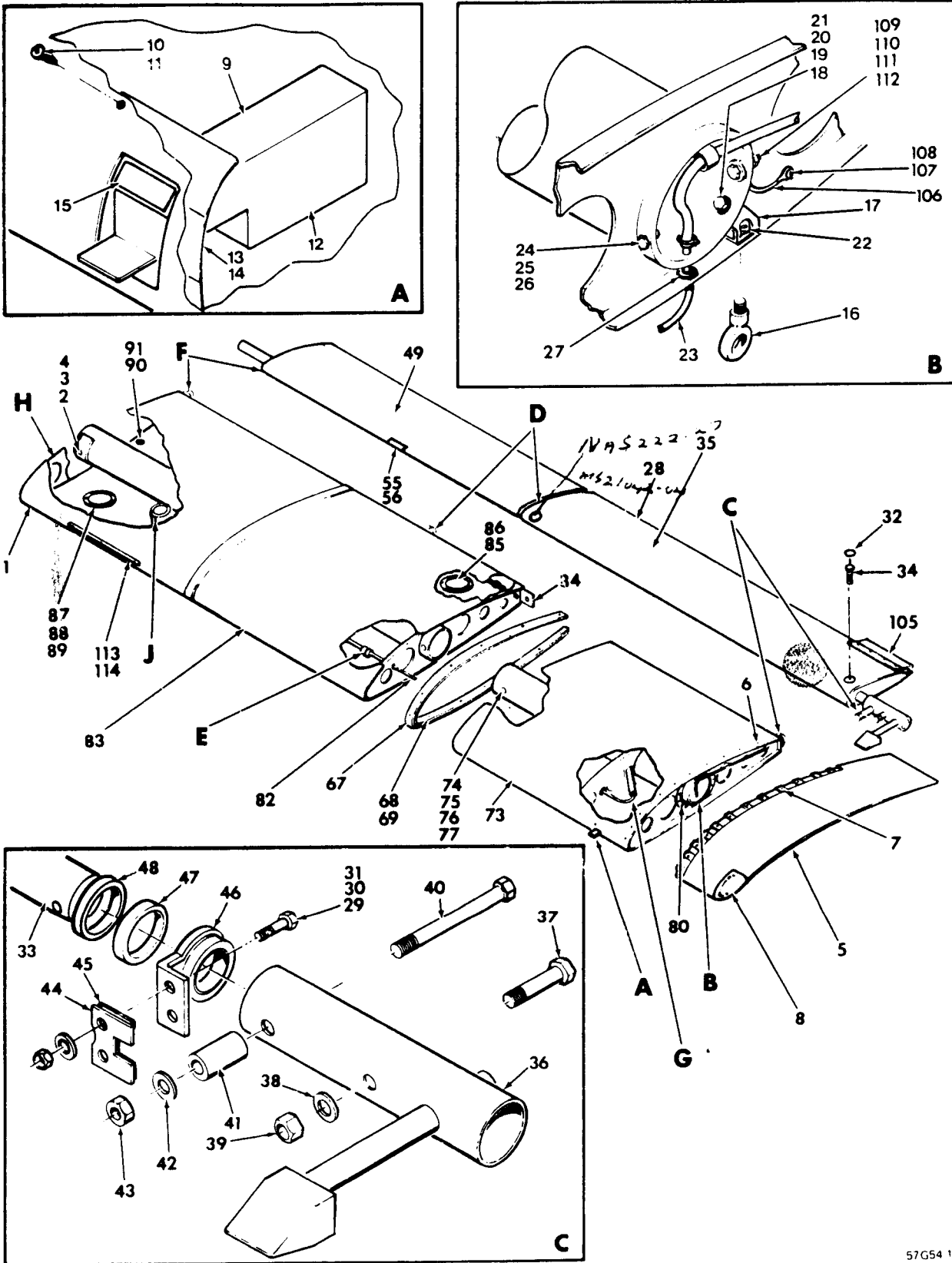
CHAPTER 57

WINGS

TABLE OF CONTENTS

<u>SUBJECT</u>	<u>FIGURE NUMBER</u>
WING INSTALLATION (AA-5A OPT AND AA-5B STD)	57-1
WING INSTALLATION (AA-5A STD)	57-2
WING ROOT INSTALLATION	57-3

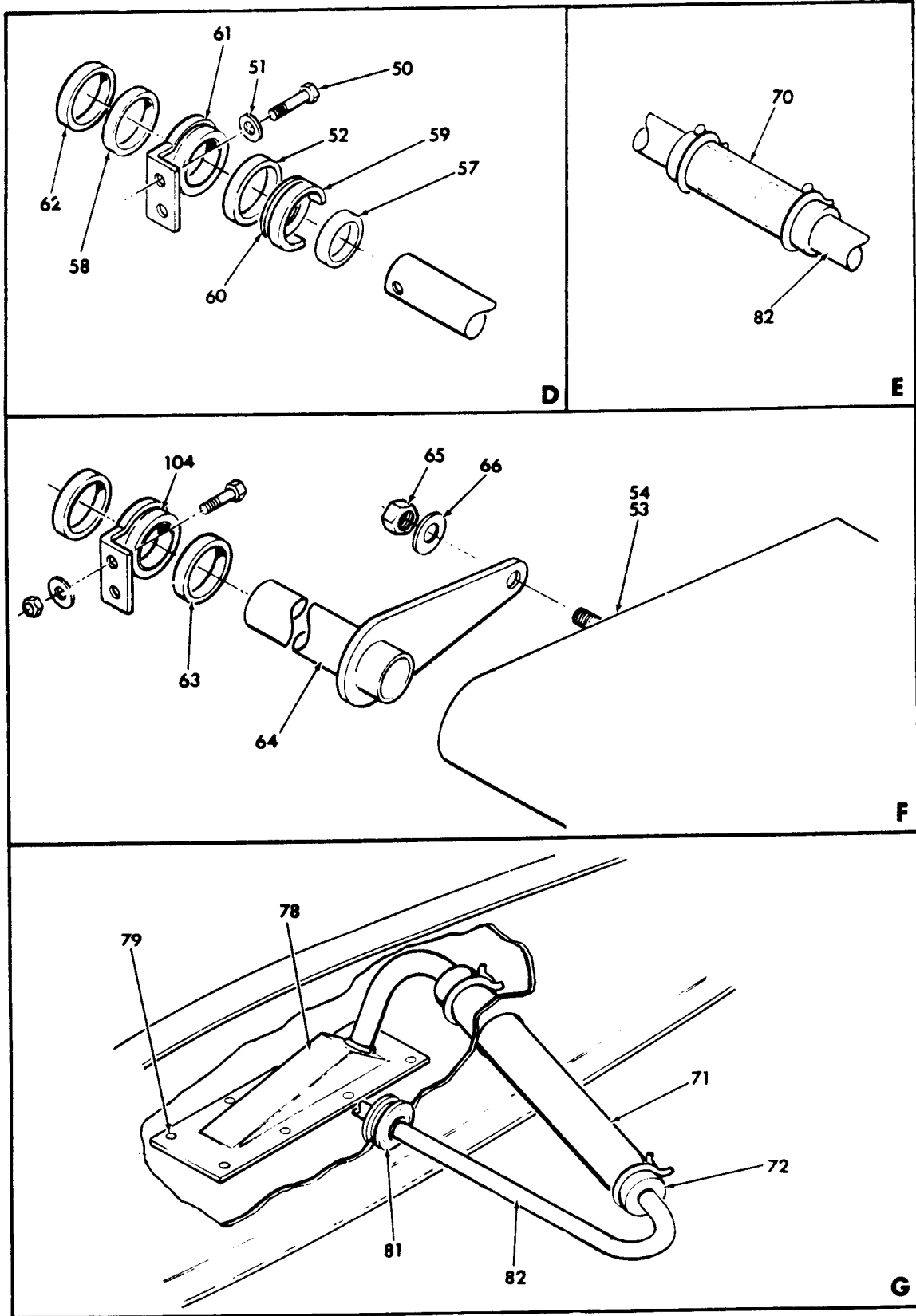
AA-5 SERIES
ILLUSTRATED PARTS CATALOG



57G54 1-1

Wing Installation (AA-5A Opt and AA-5B Std) (Sheet 1 of 3)
Figure 57-1

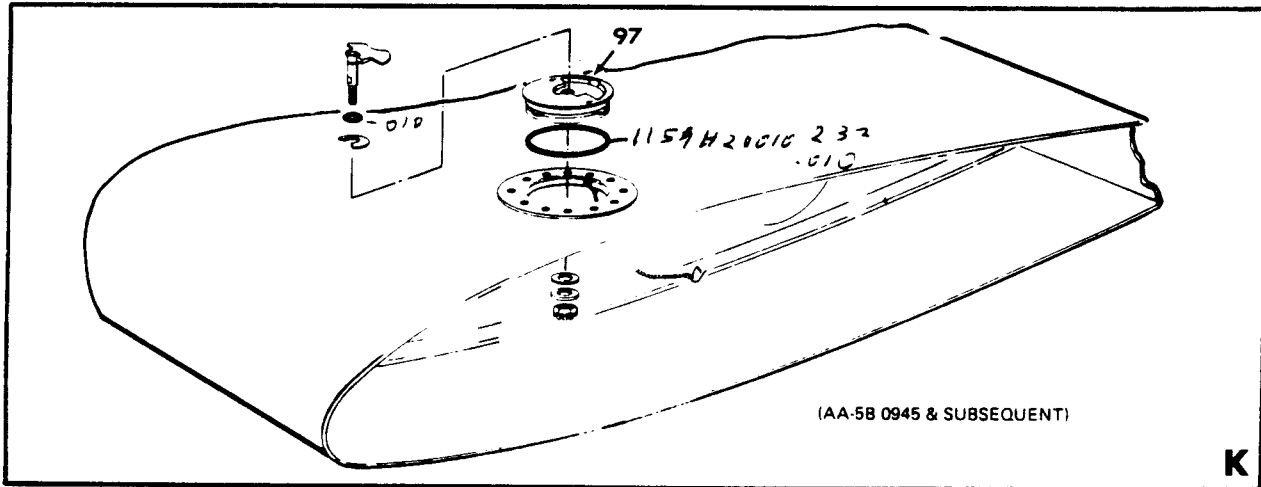
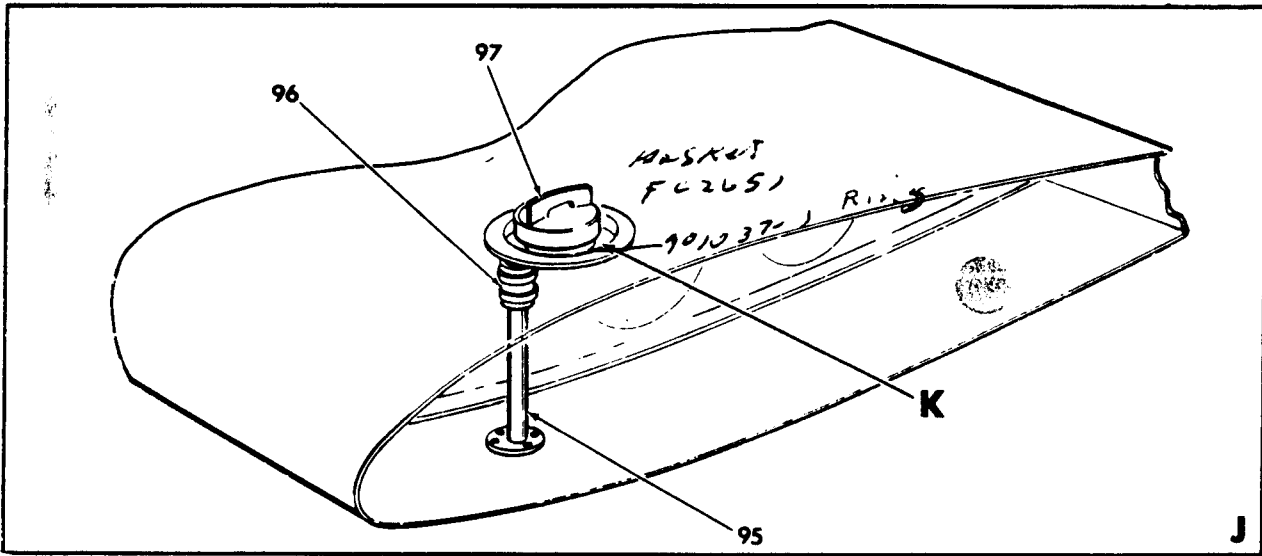
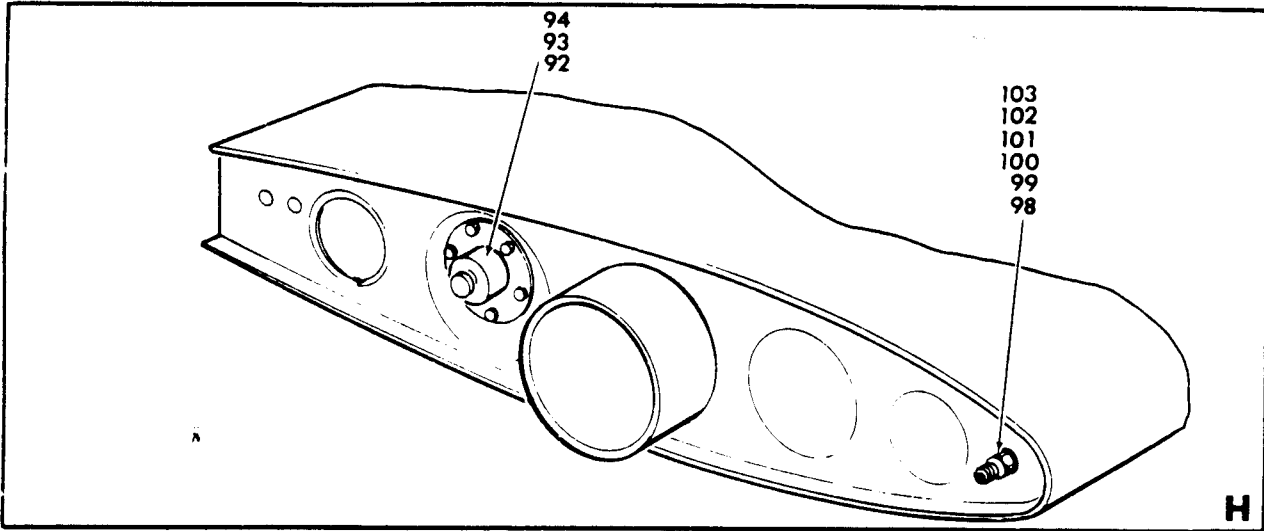
AA-5 SERIES
ILLUSTRATED PARTS CATALOG



Wing Installation (AA-5A Opt and AA-5B Std) (Sheet 2 of 3)
Figure 57-1

57G54 1 77

AA-5 SERIES
ILLUSTRATED PARTS CATALOG



Wing Installation (AA-5A Opt and AA-5B Std) (Sheet 3 of 3)
Figure 57-1

AA-5 SERIES
ILLUSTRATED PARTS CATALOG

Figure & Index No.	Part Number	Nomenclature	1 2 3 4 5 6 7							Units Per Assy	Usable On Code
57- 1 -	5200004-503	WING INSTALLATION, LONG RANGE (LH) (OPT)							AR	A	
	5200004-503	WING INSTALLATION, LONG RANGE (LH) (STD)							NP	B	
- 1	5200004-504	WING INSTALLATION, LONG RANGE (RH) (OPT)							AR	A	
	5200004-504	WING INSTALLATION, LONG RANGE (RH) (STD)							NP	B	
	5200004-2	SEAL							1		
		(ATTACHING PARTS)									
	1601-0410	RIVET (V19738)							1		
	AN960-6L	WASHER							1		
	A851B	ADHESIVE (V03481)							AR		

	5200003-507	WING ASSY (LH)							1		
	5200003-508	WING ASSY (RH)							1		
		(ATTACHING PARTS)									
- 2	901044-2	SHOULDER BOLT							2		
- 3	AN960-616L	WASHER							2		
- 4	5201194-1	SHIM							AR		
	5201194-2	SHIM							AR		

- 5	5201181-507	WING TIP ASSY (LH)							1		
	5201181-508	WING TIP ASSY (RH)							1		
	5804012-507	WING TIP ASSY (LH) (OPT)							AR		
	5804012-508	WING TIP ASSY (RH) (OPT)							AR		
		(ATTACHING PARTS)									
- 6	MS24694-S5	SCREW							23		

	5201181-901	SKIN ASSY (LH ONLY) (SPARES)							1		
	5201181-902	SKIN ASSY (RH ONLY) (SPARES)							1		
- 7	RM52LHA4972-6-82	CLIP NUT							23		
- 8	NO NUMBER	NAVIGATION LIGHTS INSTALLATION (SEE FIGURE 33-1 FOR DETAIL BREAKDOWN.)							REF		
- 9	(5804046-501)	STALL DETECTOR ASSY (RH ONLY) (SPARES) (ATTACHING PARTS)							1		
- 10	GAES1021Z6-6	SCREW							2		
- 11	A6014-6Z-1	NUT							2		

- 12	5804041-501	SWITCH ASSY (ATTACHING PARTS)							1		
- 13	1604-0412	RIVET (V19738)							2		

- 14	5804025-3	PLATE							1		
- 15	5803007-79	PLACARD							1	..	
	5803007-78	PLACARD							1	..	
- 16	901033-1	EYE BOLT							1		
- 17	5201173-501	BRACKET ASSY (LH ONLY)							1		
	5201173-502	BRACKET ASSY (RH ONLY) (ATTACHING PARTS)							1		
- 18	AN3-5A	BOLT (LH ONLY)							1		
	AN3-4A	BOLT (RH ONLY)							1		
- 19	AN970-3	WASHER							1		
- 20	AN960-10	WASHER							1		
- 21	MS20365-1032	NUT							1		

- 22	22NA1-054	ANCHOR NUT							1		
	NAS680A5	ANCHOR NUT (ALT.) (ATTACHING PARTS)							1		
	MS20426AD4-5	RIVET							1		

	5201173-1	BRACKET (LH ONLY)							1		
	5201173-2	BRACKET (RH ONLY)							1		
	901043-501	STALL DETECTOR AAS									
	901042-502	" " AASP									
	901043-503	" " AASB									

AA-5 SERIES
ILLUSTRATED PARTS CATALOG

Figure & Index No.	Part Number	Nomenclature							Units Per Assy	Usable On Code
		1	2	3	4	5	6	7		
57- 1 - 23	401010-501	PITOT TUBE ASSY (LH ONLY)							1	
		(ATTACHING PARTS)								
- 24	AN3-4A	BOLT							1	
- 25	AN960-10	WASHER							2	
- 26	MS20365-1032	NUT							1	
- 27	MS354A9-6	GROMMET							1	

		NOTE: SEE FIGURE 34-3 FOR AIRSPEED SYSTEM INSTALLATION.								
- 28	5202035-501	AILERON ASSY (LH ONLY)							1	
	5202035-502	AILERON ASSY (RH ONLY)							1	
	3202033-901	AILERON ASSY (ALT)							1	I
	3202033-902	AILERON ASSY (ALT)							1	I
		(ATTACHING PARTS)								
- 29	AN3-5A	BOLT							2	
- 30	AN960-10L	WASHER							2	
- 31	MS20365-1032	NUT							2	

	5202035-506	AILERON ASSY							1	
- 32	9101	PLUG (V77969)							2	
- 33	5202035-505	TORQUE TUBE ASSY							1	
		(ATTACHING PARTS)								
- 34	AN24-24	BOLT							1	
	AN980PD416L	WASHER							2	
	MS9363-10	NUT							1	
	MS24665-132	COTTER PIN							1	

- 35	5202035-504	AILERON BONDMENT							1	
- 36	5202305-501	WEIGHT ASSY (LH ONLY)							1	
	5202305-502	WEIGHT ASSY (RH ONLY)							1	
		(ATTACHING PARTS)								
- 37	NAS464P4A20	BOLT							1	
- 38	AN960-416	WASHER							1	
- 39	MS20364-428	NUT							1	
- 40	NAS464P4A40	BOLT							1	
- 41	5202305-3	SPACER							1	
- 42	AN960-416	WASHER							1	
- 43	MS20364-428	NUT							1	

- 44	5603074-3	STOP							1	
- 45	5200003-20	SHIM							AR	
- 46	902010-501	BEARING ASSY							1	
	902010-3	COLLAR							1	
	902013-1	BEARING							1	
	902010-1	SUPPORT							1	
- 47	902014-2	SPACER							AR	
- 48	902014-4	SPACER							1	
- 49	5203018-502	FLAP ASSY							1	
		(ATTACHING PARTS)								
- 50	AN3-4A	BOLT							2	
- 51	AN960-10	WASHER							2	

- 52	902013-2	BEARING							1	
- 53	5203018-10	RIB							1	
		(ATTACHING PARTS)								
- 54	NAS1738B4-1	RIVET							4	

- 55	5203018-8	RUB STRIP							1	
		(ATTACHING PARTS)								
- 56	1604-0412	RIVET (V19738)							4	

- 57	902014-4	SPACER							1	
- 58	902014-2	SPACER							AR	
- 59	5100-150MD	SNAP RING (DIXIE)							1	
- 60	5604012-5	SHIM							AR	
- 61	5201180-501	BEARING ASSY, SUPPORT							1	

AA-5 SERIES
ILLUSTRATED PARTS CATALOG

Figure & Index No.	Part Number	Nomenclature							Units Per Assy	Usable On Code
		1	2	3	4	5	6	7		
57- 1	201180-2								1	
	902013-3								1	
	5201180-1								1	
- 62	5604012-4								1	
- 63	902014-1								1	
- 64	5604055-501								1	
- 65	MS20365-428								1	
- 66	AN960-416								1	
- 67	5200003-1								2	
	5200003-8								2	
- 68	5200003-7								2	
- 69	1604-0412								13	
- 70	5200003-6								2	
	A-6								2	
- 71	5200003-17								1	
	A-8								2	
- 72	5200003-16								1	
- 73	5201005-501								1	
	5201005-503								1	
- 74	AN3-5A								2	
- 75	AN960-10								2	
- 76	901044-1								2	J
	901044-2								2	K
- 77	AN960-616								6	
- 78	5401127-503								1	
	5401127-504								1	
- 79	1601-0410								8	
- 80	5201100-1								8	
	1601-0410								2	
- 81	MS35489-6								10	
- 82	5201005-4								1	
- 83	5201006-507								1	EF
	5201006-508								1	EF
	5201006-509								1	H
	5201006-510								1	H
- 84	5201001-505								1	
	AN3-5A								2	
	AN960-10								2	
	MS21081-3								4	
	MS20426AD3-6								2	
	5201001-7								1	
- 85	5202034-4								6	C
	5202034-4								5	D
	MS35206-245								4	
- 86	5202034-503								6	
	1604-0412								8	

AA-5 SERIES
ILLUSTRATED PARTS CATALOG

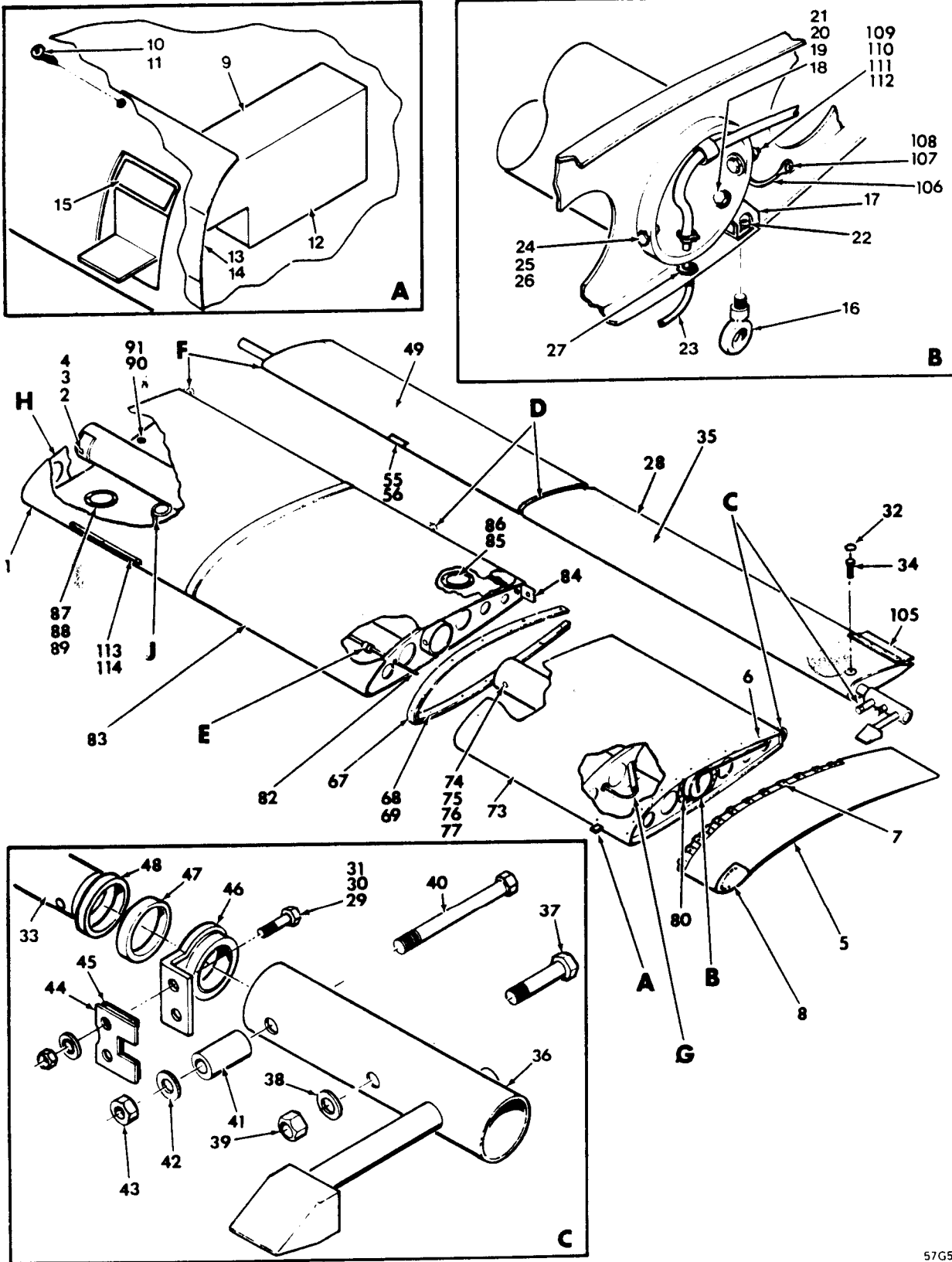
Figure & Index No.	Part Number	Nomenclature	1 2 3 4 5 6 7							Units Per Assy	Usable On Code
57- 1 -	NAS683A08	NUTPLATE (ATTACHING PARTS)								4	
	MS20426AD3-4	RIVET								2	
	5202034-3	DOUBLER								1	
- 87	5201177-1	COVER								4	C
	5201177-1	COVER (ATTACHING PARTS)								5	D
- 88	MS24693S49	SCREW								12	
- 89	NAS1473A08	NUTPLATE (ATTACHING PARTS)								48	
	MS2042426AD3-4	RIVET								2	
- 90	MD1F391-53S	DRAIN VALVE (V11181)								1	
- 91	(GAES204-VF 371-53 MP2)	NUTPLATE (ATTACHING PARTS)								1	
	MS20426AD5-6	RIVET								2	
- 92	5901009-1	TRANSMITTER, FUEL QUANTITY (ATTACHING PARTS)								1	
	AN3-4A	BOLT								5	
	AN960-10L	WASHER								5	
- 93	5201001-9	GASKET								1	
- 94	22NA1K3-02	NUTPLATE (ATTACHING PARTS)								5	
	MS20426AD3-4	RIVET								2	
- 95	5401114-501	SCUPPER DRAIN ASSY								1	G R
	416-871	SCUPPER DRAIN ASSY (ATTACHING PARTS)								1	H R
	1604-0412	RIVET (V19738)								4	
	MS20426AB4-5	RIVET (ALT)								4	
	MS20470AD4-5	RIVET (ALT)								4	
- 96	203-4	HOSE (V98441) (ATTACHING PARTS)								1	G R
	NAS397-8	CLAMP								2	
- 97	401124-1	CAP, FUEL								1	G R
	416-50	FUEL CAP ASSY								1	H R
- 98	121771-1	LOCK-O-SEAL (V45681)								2	
- 99	AN832-8D	UNION								2	
-100	AN924-8D	NUT								2	
-101	5401113-501	STRAINER (SEE FIGURE 28-1 FOR FUEL SYSTEM DETAIL BREAKDOWN.)								2	
-102	AN818-8D	NUT								2	
-103	MS20819-8D	SLEEVE								2	
-104	201180-501	BEARING ASSY (ATTACHING PARTS)								1	
	AN3-5A	SCREW								2	
	AN960-10	WASHER								2	
	MS20365-1032	NUT								2	
	201180-2	COLLAR								1	
	902013-3	BEARING								1	
	201180-1	SUPPORT								1	
-105	520236-1	AILERON TRIM TAB (ATTACHING PARTS)								1	
	1601-0410	RIVET (V19738)								1	
-106	5402006-501	GROUND STRAP ASSY (ATTACHING PARTS)								1	
-107	1601-0410	RIVET (V19738)								1	
-108	AN936B6	WASHER								1	
-109	AN3-4A	BOLT								1	

AA-5 SERIES
ILLUSTRATED PARTS CATALOG

Figure & Index No.	Part Number	Nomenclature	Units Per Assy	Usable On Code	
		1 2 3 4 5 6 7			
57- 1	-110	AN970-3	2		
	-111	AN960-10	1		
	-112	MS20365-1032	1		
	-113	5201188-1	1		
	-114	1601-0512	3		
			WASHER		
			WASHER		
			NUT		
			STALL STRIP		
			(ATTACHING PARTS)		
		RIVET (V19738)			
		A = AA5A-0283 AND SUBSEQUENT			
		B = AA5B-0400 AND SUBSEQUENT			
		C = AA5A-0283 THRU AA5A-0522 AA5B-0400 THRU AA5B-0592			
		D = AA5A-0523 AND SUBSEQUENT AA5B-0693 AND SUBSEQUENT			
		E = AA5A-0257 THRU AA5A-0704			
		F = AA5B-0383 THRU AA5B-0944			
		G = AA5A-0283 THRU AA5A-0704 AA5B-0400 THRU AA5B-0944			
		H = AA5A-0705 AND SUBSEQUENT AA5B-0945 AND SUBSEQUENT			
		I = AA5A-0518 THRU AA5A-0605 AA5B-0678 THRU AA5B-0800			
		J = AA5A-0283 THRU AA5A-0653 AA5B-0400 THRU AA5B-0845			
		K = AA5A-0654 AND SUBSEQUENT AA5B-0846 AND SUBSEQUENT			

R
R
R
R
R
R
R
R
R
R

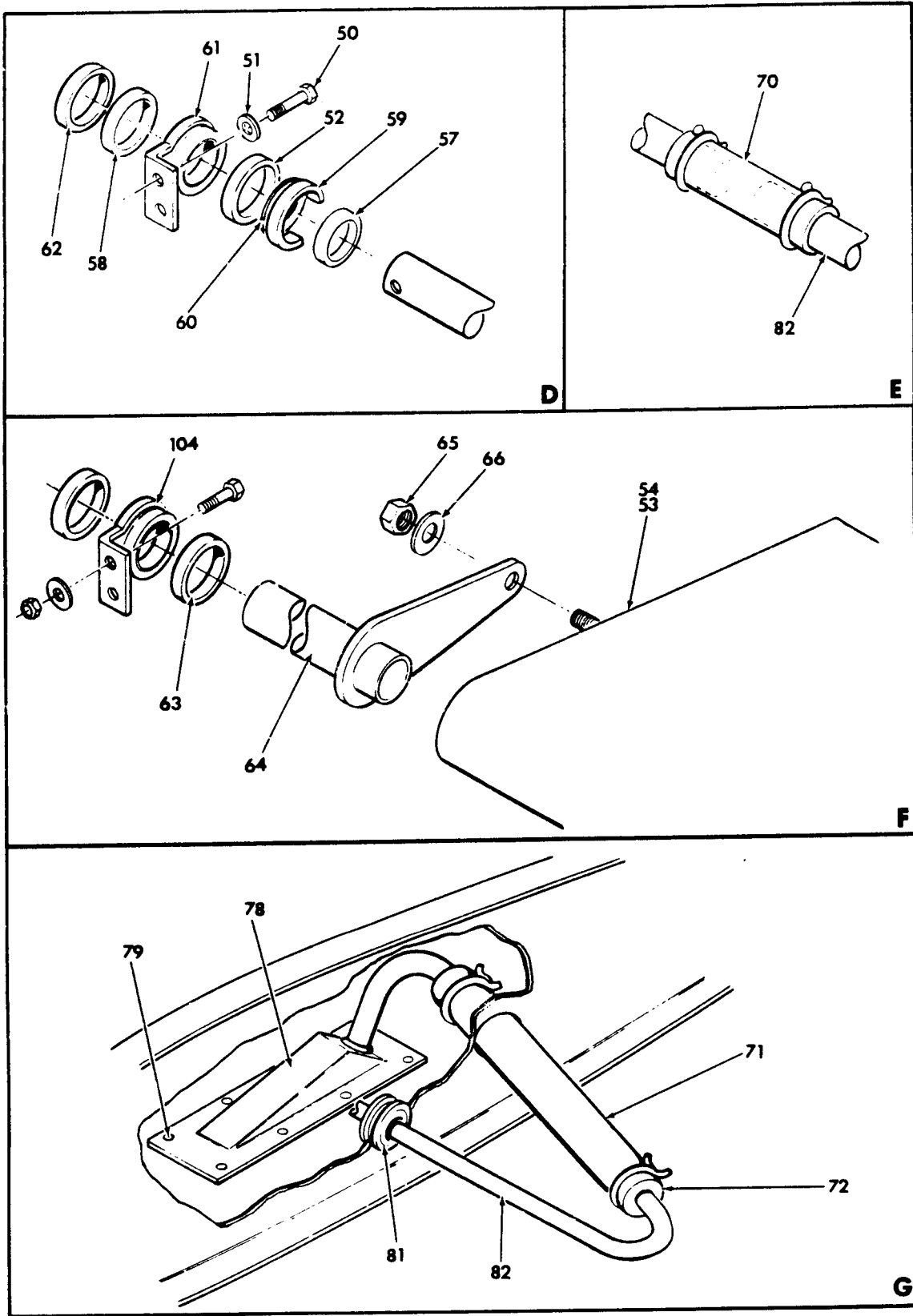
AA-5 SERIES
ILLUSTRATED PARTS CATALOG



Wing Installation (AA-5A Std) (Sheet 1 of 3)
Figure 57-2

57G54-2 1

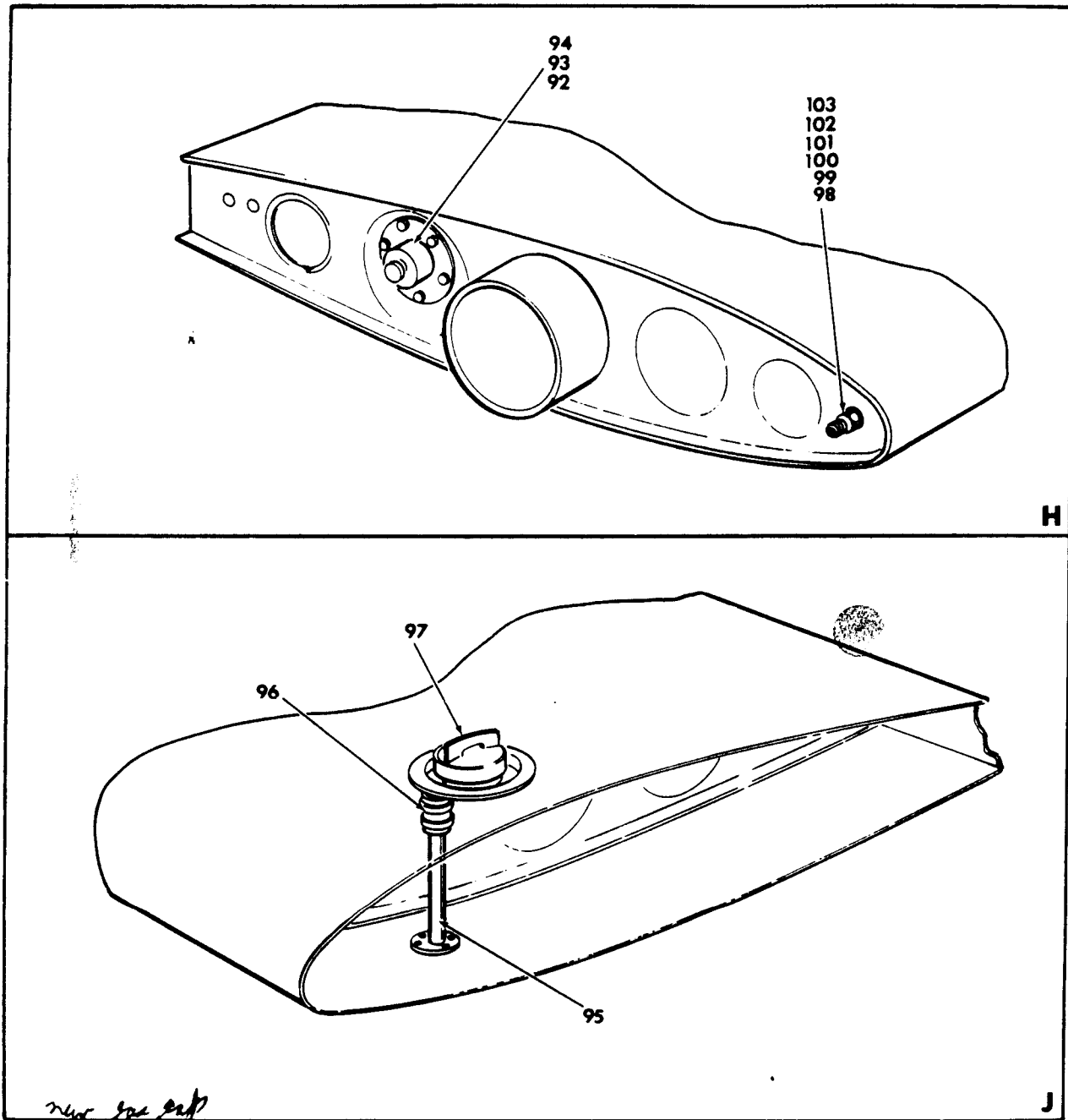
AA-5 SERIES
ILLUSTRATED PARTS CATALOG



Wing Installation (AA-5A Std) (Sheet 2 of 3)
Figure 57-2

57G54 2 2

AA-5 SERIES
ILLUSTRATED PARTS CATALOG



*new spec part
O'Ring ~~to spec~~*

57G5423

Wing Installation (AA-5A Std) (Sheet 3 of 3)
Figure 57-2

AA-5 SERIES
ILLUSTRATED PARTS CATALOG

Figure & Index No.	Part Number	Nomenclature	Units Per Assy	Usable On Code	
				1	2
57- 2	5200004-502	WING INSTALLATION (LH) (AA-5A)	1		
	5200004-505	WING INSTALLATION (RH) (AA-5A)	1		
- 1	5200004-2	SEAL (ATTACHING PARTS)	1		
	1601-0410	RIVET (V19738)	1		
	AN960-6L A851B	WASHER (V03481) ADHESIVE (V03481)	1 AR		
- 2	5200003-501	WING ASSY (LH)	1		
	5200003-505	WING ASSY (RH) (ATTACHING PARTS)	1		
	901044-2	SHOULDER BOLT	2	C	R
- 3	901044-3	SHOULDER BOLT	2	D	
	AN960-616L	WASHER	2		
- 4	5201194-1	SHIM	AR		
	5201194-2	SHIM	AR		
- 5	5201181-507	WING TIP ASSY (LH)	1		
	5201181-508	WING TIP ASSY (RH)	1		
	5804012-507	WING TIP ASSY (LH) (OPT)	AR		
	5804012-508	WING TIP ASSY (RH) (OPT) (ATTACHING PARTS)	AR		
- 6	MS24694-S5	SCREW	23		
	5201181-901	SKIN ASSY (SPARES)	1		
- 7	5201181902	SKIN ASSY (SPARES)	1		
	RM52LHA4972-6-82	CLIP NUT	23		
- 8	NO NUMBER	NAVIGATION LIGHTS INSTALLATION (SEE FIGURE 33-1 FOR DETAIL BREAKDOWN.)	REF		
	5204040-501	STALL DETECTOR ASSY (RH ONLY) (SPARES) (ATTACHING PARTS)	1		
-10	GAES1021Z6-6	SCREW	2		
-11	A6014-6Z-1	NUT	2		
-12	5804041-501	SWITCH ASSY (ATTACHING PARTS)	1		
-13	1604-0412	RIVET (V19738)	2		
-14	5804025-3	CONTOUR PLATE	1		
-15	5803007-79	PLACARD	1	..	
	5803007-78	PLACARD	1	..	
-16	901033-1	EYE BOLT	1		
-17	5201173-501	BRACKET ASSY (LH ONLY)	1		
	5201173-502	BRACKET ASSY (RH ONLY) (ATTACHING PARTS)	1		
-18	AN3-5A	BOLT (LH ONLY)	1		
	AN34A	BOLT (RH ONLY)	1		
-19	AN970-3	WASHER	1		
-20	AN960-10	WASHER	1		
-21	MS20365-1032	NUT	1		
-22	22NA1-054	ANCHOR NUT	1		
	NAS680A5	ANCHOR NUT (ALT) (ATTACHING PARTS)	1		
-23	MS20426AD4-5	RIVET	1		
	5201173-1	BRACKET (LH ONLY)	1		
	5201173-2	BRACKET (RH ONLY)	1		
-24	401010-501	PITOT TUBE ASSY (LH ONLY) (ATTACHING PARTS)	1		
	AN3-4A	BOLT	1		
-25	AN960-10	WASHER	2		
-26	MS20365-1032	NUT	1		

AA-5 SERIES
ILLUSTRATED PARTS CATALOG

Figure & Index No.	Part Number	Nomenclature							Units Per Assy	Usable On Code
		1	2	3	4	5	6	7		
57- 2 - 27	MS354A9-6	GROMMET							1	

		NOTE: SEE FIGURE 34-3 FOR AIRSPEED SYSTEM INSTALLATION.								
- 28	5202035-501	AILERON ASSY (LH ONLY)							1	
	5202035-502	AILERON ASSY (RH ONLY)							1	
		(ATTACHING PARTS)								
- 29	AN3-5A	BOLT							2	
- 30	AN960-10L	WASHER							2	
- 31	MS20365-1032	NUT							2	

	5202035-506	AILERON ASSY							1	
- 32	9101	PLUG (V77969)							2	
- 33	5202035-505	TORQUE TUBE ASSY							1	
		(ATTACHING PARTS)								
- 34	AN24-24	BOLT							1	
	AN960PD416L	WASHER							1	
	MS9363-10	NUT							1	
	MS24665-132	COTTER PIN							1	

- 35	5202035-504	AILERON BONDMENT							1	
- 36	5202305-501	WEIGHT ASSY (LH ONLY)							1	
	5202305-502	WEIGHT ASSY (RH ONLY)							1	
		(ATTACHING PARTS)								
- 37	NAS464P4A20	BOLT							1	
- 38	AN960-416	WASHER							1	
- 39	MS20364-428	NUT							1	
- 40	NAS464P4A40	BOLT							1	
- 41	5202305-3	SPACER							1	
- 42	AN960-416	WASHER							1	
- 43	MS20364-428	NUT							1	

- 44	5603074-3	STOP							1	
- 45	5200003-20	SHIM							AR	
- 46	902010-501	BEARING ASSY							1	
	902010-3	COLLAR							1	
	902013-1	BEARING							1	
	902010-1	SUPPORT							1	
- 47	902014-2	SPACER							AR	
- 48	902014-4	SPACER							1	
- 49	5203018-502	FLAP ASSY							1	
		(ATTACHING PARTS)								
- 50	AN3-4A	BOLT							2	
- 51	AN960-10	WASHER							2	

- 52	902013-2	BEARING							1	
- 53	5203018-10	RIB							1	
		(ATTACHING PARTS)								
- 54	NAS173884-1	RIVET							4	

- 55	5203018-8	RIB STRIP							1	
		(ATTACHING PARTS)								
- 56	1604-0412	RIVET (V19738)							4	

- 57	902014-4	SPACER							1	
- 58	902014-2	SPACER							AR	
- 59	5100-150MD	SNAP RING (DIXIE)							1	
- 60	5604012-5	SHIM							AR	
- 61	5201180-501	BEARING ASSY, SUPPORT							1	
	201180-2	COLLAR							1	

AA-5 SERIES
ILLUSTRATED PARTS CATALOG

Figure & Index No.	Part Number	Nomenclature							Units Per Assy	Usable On Code
		1	2	3	4	5	6	7		
57- 2	5201180-1	1	
- 62	5604012-4	1	
- 63	902014-1	1	
- 64	5604055-501	1	
- 65	MS20365-428	1	
- 66	AN960-416	1	
- 67	5200003-1	2	
	5200003-8	2	
- 68	5200003-7	2	
- 69	1604-0412	13	
- 70	5200003-6	2	
	A-6	2	
- 71	5200003-17	1	
	A-8	2	
- 72	5200003-16	1	
- 73	5201005-501	1	
	5201005-503	1	
- 74	AN3-5A	2	
- 75	AN960-10	2	
- 76	901044-1	2	
- 77	AN960-616	6	
- 78	5401127-503	1	
	5401127-504	1	
- 79	1601-0410	8	
- 80	5201100-1	8	
	1601-0410	2	
- 81	MS35489-6	10	
- 82	5201005-4	1	
- 83	5201001-501	1	A
	5201001-508	1	A
	5201001-509	1	B
	5201001-510	1	B
- 84	5201001-505	1	
	AN3-5A	2	
	AN960-10	2	
	MS21081-3	4	
	MS20426AD3-6	2	
	5201001-7	1	
- 85	5202034-4	5	
	MS35206-245	4	

AA-5 SERIES
ILLUSTRATED PARTS CATALOG

Figure & Index No.	Part Number	Nomenclature							Units Per Assy	Usable On Code		
		1	2	3	4	5	6	7				
57- 2 - 86	5202034-502	DOUBLER ASSY (ATTACHING PARTS)	5		
	1604-0412	RIVET (V19738)	8		
	NAS683A08	NUTPLATE (ATTACHING PARTS)	4		
	MS20426AD3-4	RIVET	2		
	5202034-3	DOUBLER	1		
- 87	5201184-1	COVER (ATTACHING PARTS)	4		
- 88	MS24693S49	SCREW	12		
- 89	NAS1473A08	NUTPLATE (ATTACHING PARTS)	48		
	MS20426AD3-4	RIVET	2		
- 90	MD1F391-53S	DRAIN VALVE (V11181)	1		
- 91	GAES204-1	NUTPLATE (ATTACHING PARTS)	1		
	MS20426AD5-6	RIVET	2		
- 92	5901009-1	TRANSMITTER FUEL QUANTITY (ATTACHING PARTS)	1		
	AN3-4A	BOLT	5		
	AN960-10L	WASHER	5		
- 93	5201001-9	GASKET	1		
- 94	22NA1K3-02	NUTPLATE (ATTACHING PARTS)	5		
	MS20426AD3-4	RIVET	2		
- 95	5401114-501	SCUPPER DRAIN ASSY (ATTACHING PARTS)	1	A	R
	1604-0412	RIVET (V19738)	4	A	R
	MS20426AD4-5	RIVET (ALT.)	4	A	R
	MS20470AD4-5	RIVET (ALT.)	4	A	R
- 96	203-4	HOSE (V98441) (ATTACHING PARTS)	1		
	NAS397-8	CLAMP	2		
- 97	401124-1	CAP, FUEL	1	A	R
	416-50	CAP ASSY	1	B	R
- 98	121771-1	LOCK-O-SEAL (V45681)	2		
- 99	AN832-8D	UNION	2		
-100	AN924-8D	NUT	2		
-101	541113-501	STRAINER (SEE FIGURE 28-1 FOR FUEL SYSTEM DETAIL BREAKDOWN.)	2		
-102	AN818-8D	NUT	2		
-103	MS20819-8D	SLEEVE	2		
-104	201180-501	BEARING ASSY (ATTACHING PARTS)	1		
	AN3-5A	SCREW	2		
	AN960-10	WASHER	2		
	MS20365-1032	NUT	2		
	201180-2	COLLAR	1		
	902013-3	BEARING	1		
	201180-1	SUPPORT	1		

AA-5 SERIES
ILLUSTRATED PARTS CATALOG

Figure & Index No.	Part Number	Nomenclature							Units Per Assy	Usable On Code		
		1	2	3	4	5	6	7				
57- 2	-105	5202036-1	.	.	AILERON TRIM TAB	.	.	.	1			
		1601-0410	.	.	RIVET (V19738)	.	.	.	4			

		-106	5402006-501	.	.	GROUND STRAP ASSY	.	.	.	1		

			1601-0410	.	.	RIVET (V19738)	.	.	.	1		
		-108	AN936B6	.	.	WASHER	.	.	.	1		
		-109	AN3-4A	.	.	BOLT	.	.	.	1		
		-110	AN970-3	.	.	WASHER	.	.	.	2		
		-111	AN960-10	.	.	WASHER	.	.	.	1		
		-112	MS20365-1032	.	.	NUT	.	.	.	1		

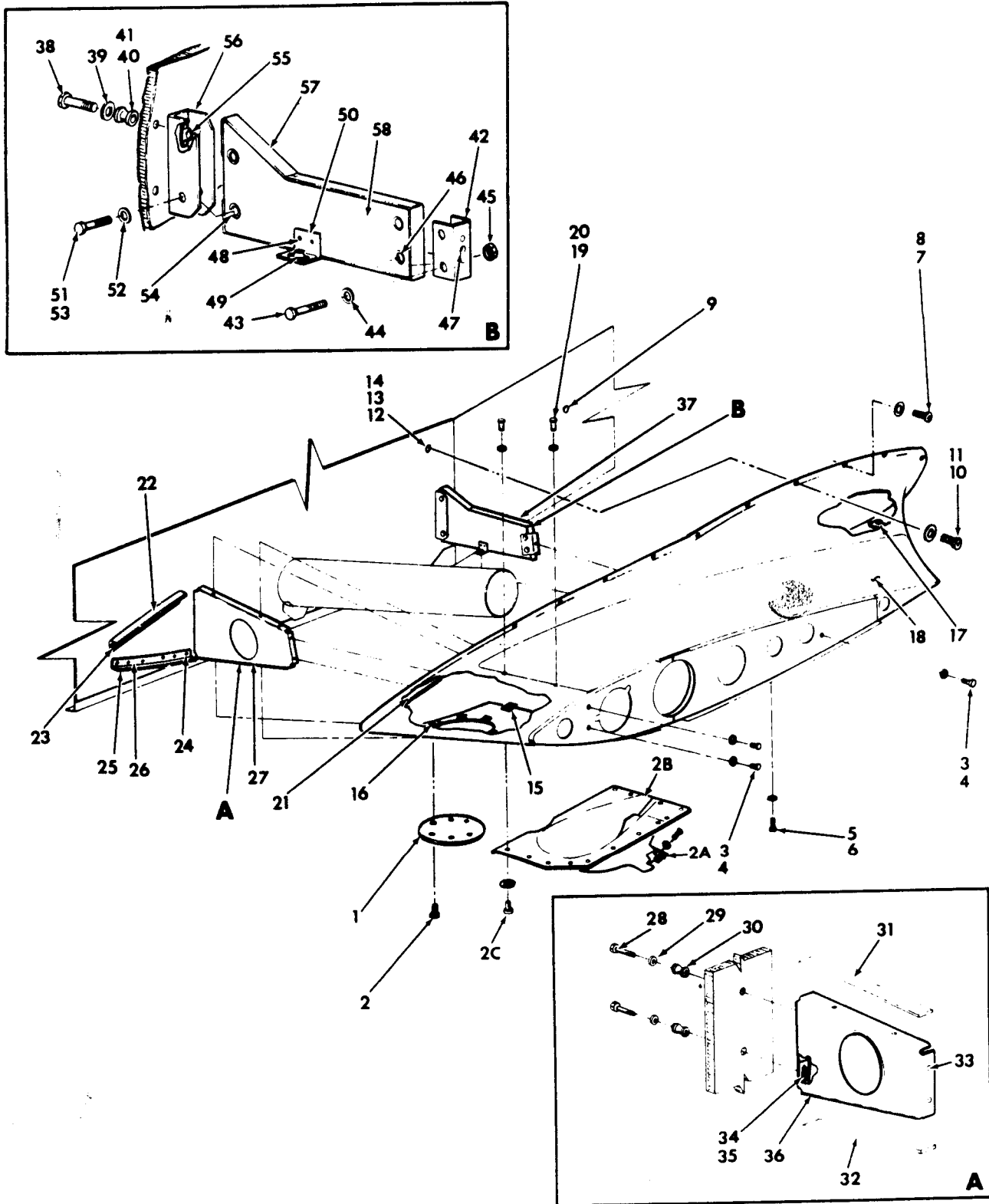
		-113	5201188-1	.	.	STALL STRIP	.	.	.	1		

	-114	1601-0512	.	.	RIVET (V19738)	.	.	.	3			

			<p>A = AA5A-0283 THRU AA5A-0704 AA5B-0400 THRU AA5B-0844</p> <p>B = AA5A-0705 AND SUBSEQUENT AA5B-0945 AND SUBSEQUENT</p> <p>C = AA5A-0283 THRU AA5A-0653 AA5B-0400 THRU AA5B-0845</p> <p>D = AA5A-0654 AND SUBSEQUENT AA5B-0646 AND SUBSEQUENT</p> <p>* = CONSULT AIRCRAFT HISTORICAL LOG FOR ALTERNATE ATTACHING HARDWARE AT SPAR.</p> <p>** = REFER TO CHAPTER 11 FOR PLACARDS</p>									

R
R
R
R
R
R

AA-5 SERIES
ILLUSTRATED PARTS CATALOG



Wing Root Installation
Figure 57-3.

57G54-3

AA-5 SERIES
ILLUSTRATED PARTS CATALOG

Figure & Index No.	Part Number	Nomenclature							Units Per Assy	Usable On Code
		1	2	3	4	5	6	7		
57-3	5201190-501	WING ROOT INSTALLATION (LH)							NP	
	5201190-502	WING ROOT INSTALLATION (RH)							NP	
-1	5201176-1	ACCESS COVER (ATTACHING PARTS)							2	
-2	MS35206-243	SCREW							6	
-2A	5701050-1	ACCESS COVER (LH)							1	
	5701050-2	ACCESS COVER (RH) (ATTACHING PARTS)							1	
-2B	5701050-501	CLIP ASSY							1	
	GAES1022Z6-5	SCREW							2	
	A3135-017-24A	WASHER							2	
-2C	MS24694S4	SCREW							13	
	A3135-017-24A	WASHER							13	
	5201174-503	WING ROOT ASSY (LH ONLY)							1	
	5201174-504	WING ROOT ASSY (RH ONLY) (ATTACHING PARTS)							1	
-3	AN3-4A	BOLT							3	
-4	AN960-10L	WASHER							3	
-5	MS24893S272	SCREW							2	
-6	A3235-028-24A	WASHER (V78533)							2	
-7	MS24893S273	SCREW							3	
-8	A3235-028-24A	WASHER (V78533)							3	
-9	A10-75	RIVNUT							3	
-10	MS24694S60	SCREW							7	
-11	A3235-028-24A	WASHER (V78533)							7	
-12	GAES201-1	SPACER							7	
-13	AN970-3	WASHER							7	
-14	MS20385-1032C	NUT							7	
-15	RM52LHA4972-10-82	CLIP NUT (ESNA)							13	
-16	RM52LHA4972-6-82	CLIP NUT (ESNA)							12	
-17	NAS680A08	NUTPLATE (ATTACHING PARTS)							4	
	1204-0308	RIVET (V19738)							2	
-18	5201174-3	STRIP, ANTI-SKID (LH ONLY)							1	
	5201174-4	STRIP, ANTI-SKID (RH ONLY) (ATTACHING PARTS)							1	
-19	1601-0410	RIVET (V19738)							3	
-20	AN960-6L	WASHER							3	
-21	Y-4528	TAPE (V26068)							AR	
	201192-501	SUPPORT ASSY, WING ROOT LEADING EDGE (UPPER) (ATTACHING PARTS)							1	
	NAS1398D4-1	RIVET							4	
-22	GAES418-1-9.3	CHAFE STRIP							1	
-23	201192-1	SUPPORT							1	
	201192-502	SUPPORT ASSY, WING ROOT LEADING EDGE (LOWER) (ATTACHING PARTS)							1	
-24	NAS1398D4-1	RIVET							6	
-25	GAES418-1-9.3	CHAFE STRIP							1	
-26	201192-2	SUPPORT							1	
-27	201193-503	SUPPORT ASSY, WING ROOT CHORD STATION 6.000 (LH)							1	
	201193-504	SUPPORT ASSY, WING ROOT CHORD STATION 6.000 (RH) (ATTACHING PARTS)							1	
-28	AN3-10A	BOLT							2	
-29	AN970-3	WASHER							2	
-30	GAES201-1	SPACER							2	
-31	GAES418-1-12.0	CHAFE STRIP							1	
-32	GAES418-1-11.4	CHAFE STRIP							1	

R
R
R
R
R
R
R
R
R
R

AA-5 SERIES
ILLUSTRATED PARTS CATALOG

Figure & Index No.	Part Number	Nomenclature							Units Per Assy	Usable On Code
		1	2	3	4	5	6	7		
57- 3 -33	NAS680A3	.	.	NUTPLATE	7	
	1204-0308	.	.	RIVET (V19738)	2	
-34 -35	NAS680A3	.	.	NUTPLATE	1	
	201193-5	.	.	DOUBLER	1	
-36	1204-0308	.	.	RIVET (V19738)	2	
	201193-3	.	.	SUPPORT (LH)	1	
-37	201193-4	.	.	SUPPORT (RH)	1	
	201185-509	.	.	SUPPORT ASSY, WING ROOT CHORD STATION 34.000 (LH)	1	
-38 -39 -40 -41	201185-508	.	.	SUPPORT ASSY, WING ROOT CHORD STATION 34.000 (RH)	1	
	AN3-10A	.	.	BOLT	2	
-42	AN970-3	.	.	WASHER	2	
	GAES201-1	.	.	SPACER	2	
-43 -44 -45 -46	AN960-10	.	.	WASHER	1	
	201185-503	.	.	BRACKET ASSY	1	
-47	AN3-10A	.	.	BOLT	2	
	AN960-10L	.	.	WASHER	2	
-48	MS20385-1032	.	.	NUT	2	
	GAES201-1	.	.	SPACER	2	
-49	K-1000-3	.	.	NUTPLATE (V31174)	1	
	AN426AD3-4	.	.	RIVET	2	
-50	201185-3	.	.	BRACKET	1	
	201185-504	.	.	BRACKET ASSY	1	
-51 -52	1601-0410	.	.	RIVET (V19738)	2	
	K-1000-3	.	.	NUTPLATE (V31174)	1	
-53 -54	AN426AD3-4	.	.	RIVET	2	
	201185-4	.	.	ROOT MOUNTING BRACKET	1	
-55	201185-505	.	.	BRACKET ASSY	1	
	AN3-10A	.	.	BOLT	2	
-56 -57 -58	AN960-10L	.	.	WASHER	2	
	MS20385-1032	.	.	NUT	2	
-59	GAES201-1	.	.	SPACER	2	
	K-1000-3	.	.	NUTPLATE (V31174)	2	
-60	AN426AD3-4	.	.	RIVET	2	
	201185-2	.	.	BRACKET	1	
-61 -62	201185-5	.	.	SPONGE STRIP	1	
	201185-7	.	.	SUPPORT	1	