

AA-5 SERIES
ILLUSTRATED PARTS CATALOG

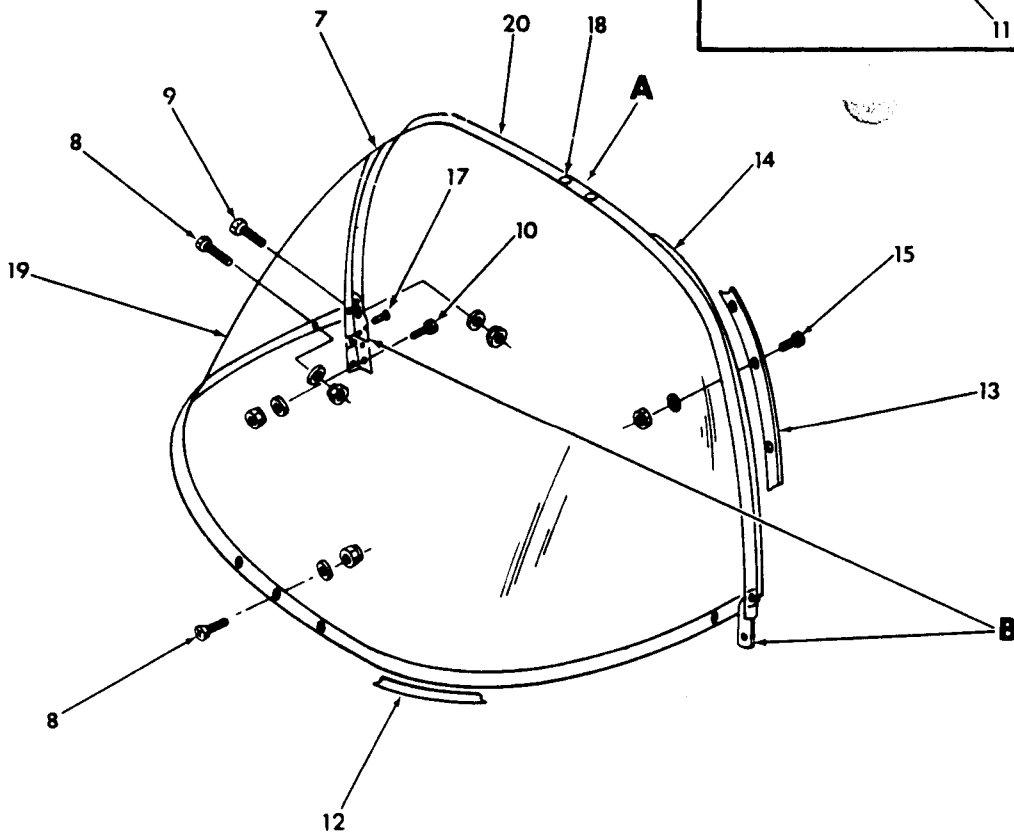
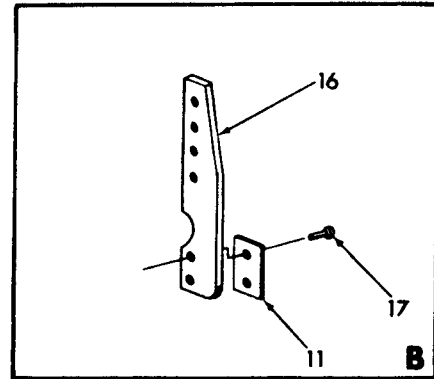
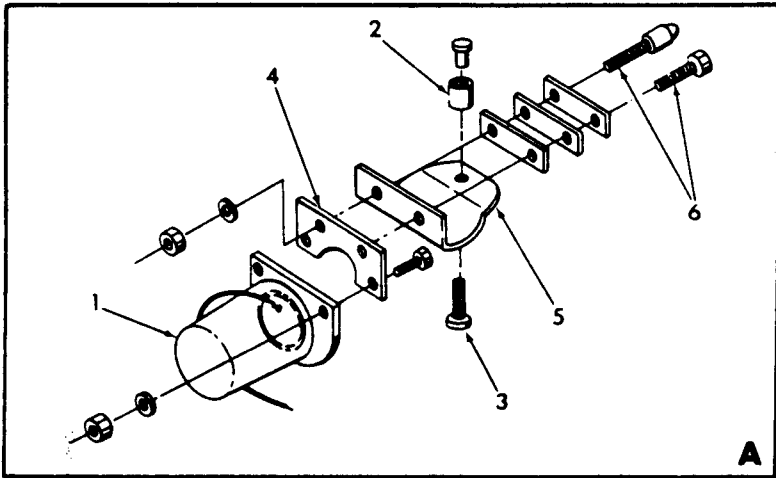
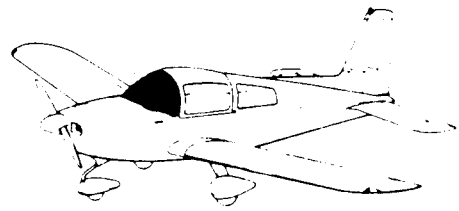
CHAPTER 56

WINDOWS

TABLE OF CONTENTS

<u>SUBJECT</u>	<u>FIGURE NUMBER</u>
WINDSHIELD INSTALLATION	56-1
REAR WINDOW INSTALLATION	56-2

AA-5 SERIES
ILLUSTRATED PARTS CATALOG



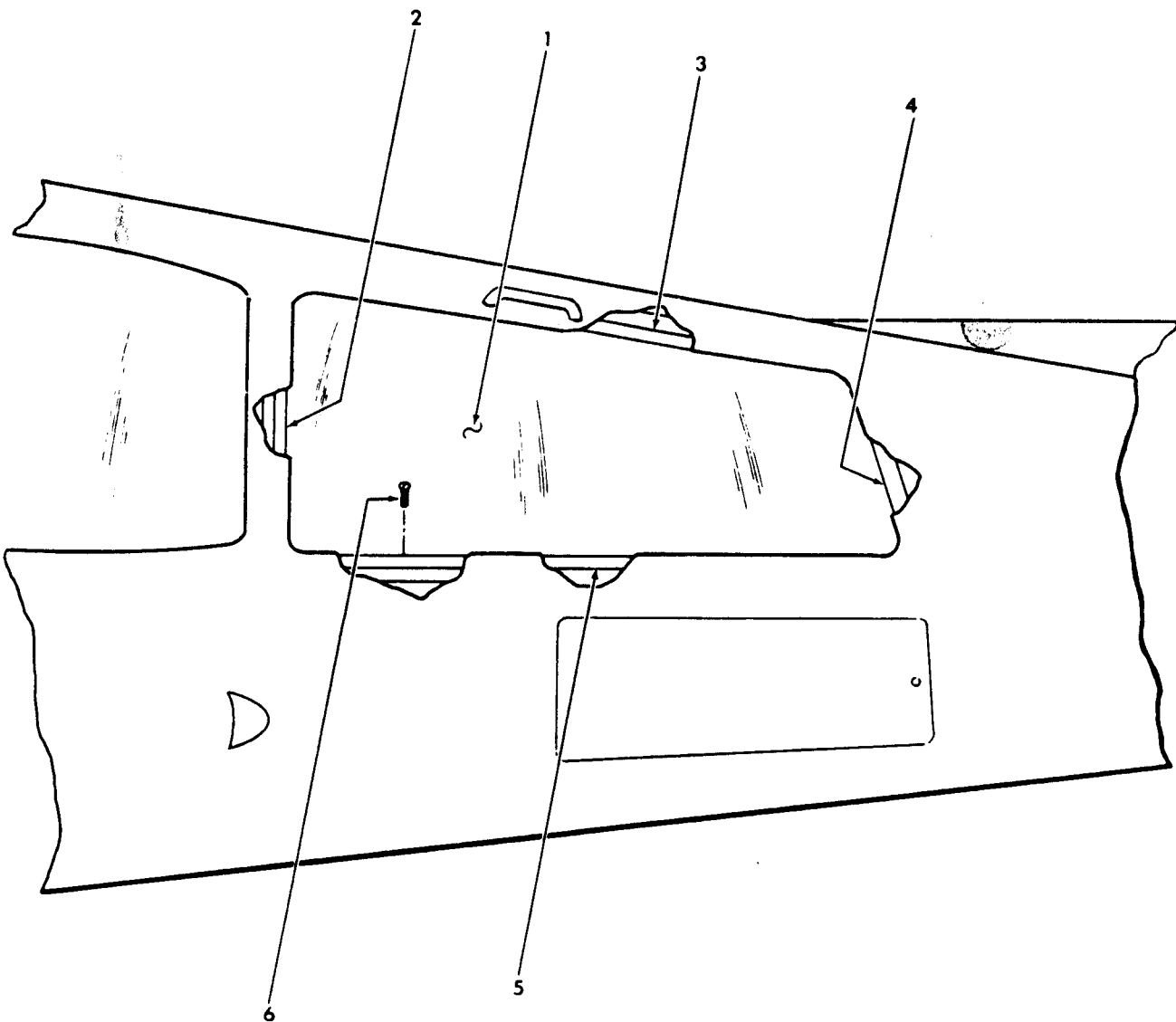
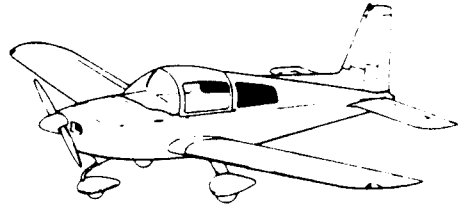
Windshield Installation
Figure 56-1

56G54-1

AA-5 SERIES
ILLUSTRATED PARTS CATALOG

Figure & Index No.	Part Number	Nomenclature							Units Per Assy	Usable On Code	
		1	2	3	4	5	6	7			
56- 1	-	5102273-505	WINDSHIELD INSTALLATION							NP	
	- 1	5102273-506 C2350L4M23	WINDSHIELD INSTALLATION (OPTIONAL) COMPASS (V70214) (ORDER WITH MINIMUM 44 INCH WIRE LENGTH)							AR 1	
	- 2	GE-330 5102277-10	LAMP STRIKER (ATTACHING PARTS)							REF 1	
	- 3	MS24694-S5 A8-75	SCREW RIVNUT (V03481)							1 1	
	- 4	5102382-1	MOUNTING							1	
	- 5	5102277-11	BRACKET (ATTACHING PARTS FOR INDEX NUMBERS -4 AND -5)							1	
	- 6	5102277-17 MS35214-59 AN960-10L MS20364-1032 5102277-13	PIN SCREW WASHER NUT SHIM							1 1 2 2 AR	
	- 7	5102273-507 5102273-508	WINDSHIELD ASSY WINDSHIELD ASSY (OPTIONAL - TINTED) (ATTACHING PARTS)							1 1	
	- 8	MS24693-S272 AN960-10L MS20364-1032	SCREW WASHER NUT							5 5 5	
	- 9	AN526-1032R10 AN960-10L MS20364-1032	SCREW WASHER NUT							2 2 4	
	-10	AN3-5A AN960-10L MS20364-1032	BOLT WASHER NUT							4 4 4	
	-11	102366-1	SHIM							AR	
	-12	522	FOAM TAPE (V25662)							AR	
	-13	5102288-3	RETAINER (LH)							1	
	-14	5102288-2 GAES414-3	RETAINER (RH) SEAL (ATTACHING PARTS FOR INDEX NUMBERS -13 AND -14)							1 1	
	-15	MS24693-S26 AN960-6L MS20364-632	SCREW WASHER NUT							12 12 12	
	-16	102282-1	SUPPORT (ATTACHING PARTS)							2	
	-17	MS20426AD5-8	RIVET							4	
	-18	MS24693-S51 GAES75-2 MS20364-1032	SCREW WASHER NUT							2 2 2	
	-19	5102279-3 5102279-4	WINDSHIELD WINDSHIELD (OPTIONAL - TINTED)							1 1	
-20	5102274-1	FRAME							1		

AA-5 SERIES
ILLUSTRATED PARTS CATALOG



Rear Window Installation
Figure 56-2

56G54-2

AA-5 SERIES
ILLUSTRATED PARTS CATALOG

Figure & Index No.	Part Number	Nomenclature							Units Per Assy	Usable On Code	
		1	2	3	4	5	6	7			
56- 2 - 1 - 2 - 3 - 4 - 5 - 6	NO NUMBER	REAR WINDOW INSTALLATION							NP		
	5102348-1	WINDOW (LH)							1		
	5102348-2	WINDOW (RH)							1		
	5102348-3	WINDOW (LH) (OPTIONAL - TINTED)							AR		
	5102348-4	WINDOW (RH) (OPTIONAL - TINTED)							AR		
		(ATTACHING PARTS)									
		5102308-1	RETAINER (LH-FWD)							1	
		5102308-2	RETAINER (RH-FWD)							1	
		5102308-13	RETAINER (UPPER)							2	
		5102369-1	RETAINER (LH - UPPER - AFT)							1	
		5102369-2	RETAINER (RH - UPPER - AFT)							1	
		5102369-3	RETAINER (LH - LOWER - AFT)							1	
		5102369-4	RETAINER (RH - LOWER - AFT)							1	
		5102308-15	RETAINER (LH - LOWER)							1	
		5102308-14	RETAINER (RH - LOWER)							1	
		GAES1021A6-4	SCREW							44	
		Y9132A	VINYL FOAM TAPE (V26066)							AR	