

AA-5 SERIES
ILLUSTRATED PARTS CATALOG

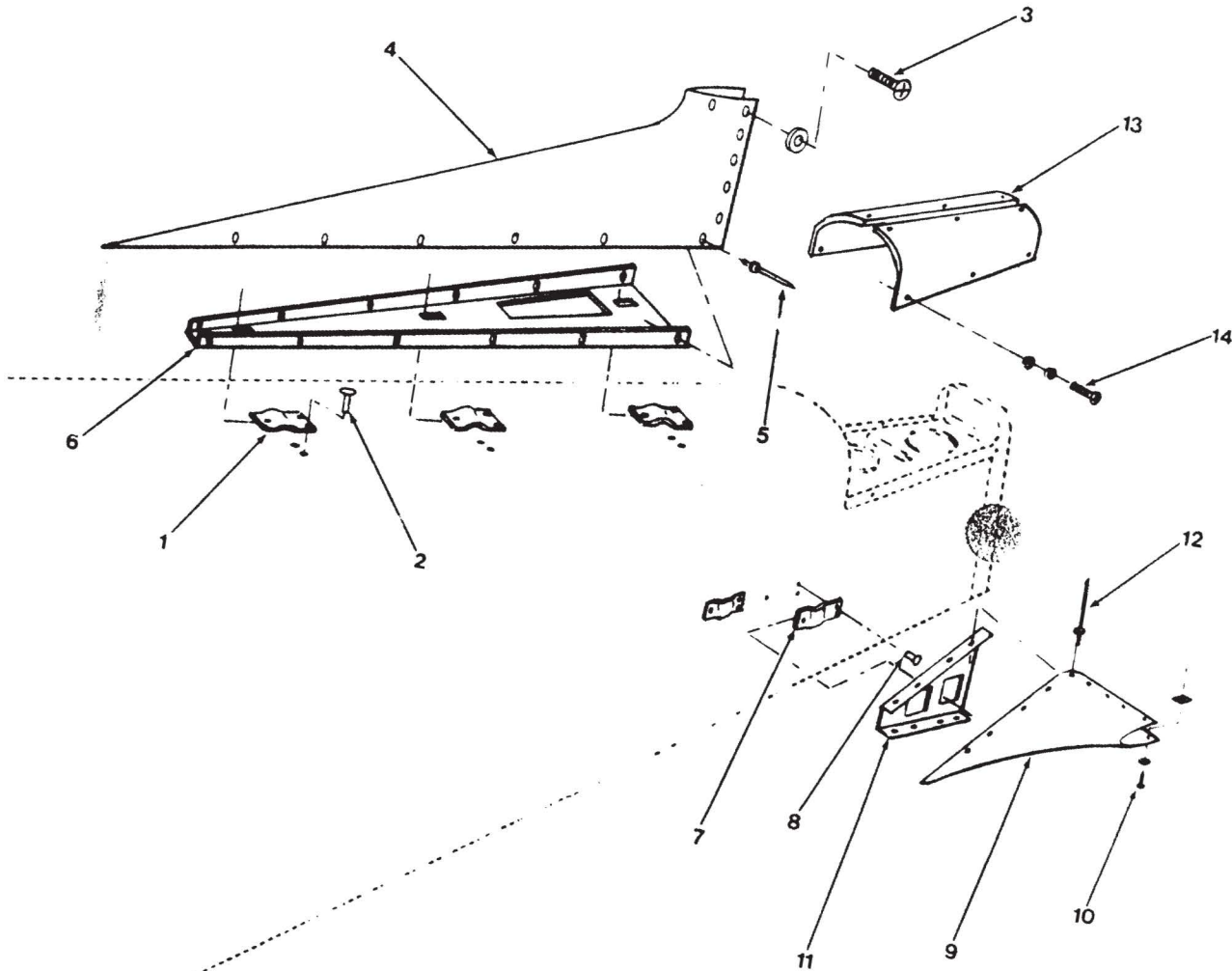
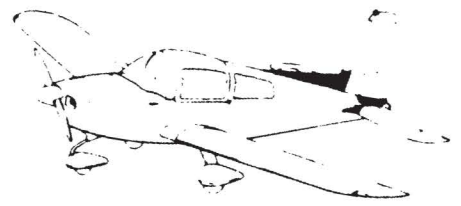
CHAPTER 55

STABILIZERS

TABLE OF CONTENTS

<u>SUBJECT</u>	<u>FIGURE NUMBER</u>
TAIL FAIRING AND INSPECTION COVER INSTALLATION	55-1
VERTICAL TAIL INSTALLATION	55-2
HORIZONTAL TAIL AND TAB DRIVE INSTALLATION	55-3

AA-5 SERIES
ILLUSTRATED PARTS CATALOG



Tail Fairing and Inspection Cover Installation
Figure 55-1

55G54-1

AA-5 SERIES
ILLUSTRATED PARTS CATALOG

Figure & Index No.	Part Number	Nomenclature							Units Per Assy	Usable On Code
		1	2	3	4	5	6	7		
55- 1	NO NUMBER	TAIL FAIRING AND INSPECTION COVER INSTALLATION							NP	
- 1	5302040-501	DORSAL FIN INSTALLATION							NP	
	5302040-3	CLIP							3	
		(ATTACHING PARTS)								
- 2	1601-0410	RIVET							2	

	5302040-502	DORSAL FIN ASSY							1	A
	5302040-503	DORSAL FIN ASSY							1	B
		(ATTACHING PARTS)								
- 3	GAES1022Z6-10	SCREW							12	
	A3135-017-24A	WASHER							12	

- 4	5302040-1	DORSAL FIN							1	
		(ATTACHING PARTS)								
- 5	1604-0412	RIVET							12	

- 6	5302040-2	CHANNEL							1	
	5302051-501	HORIZONTAL TAIL FAIRING INSTALLATION (LH)							NP	
	5302051-502	HORIZONTAL TAIL FAIRING INSTALLATION (RH)							NP	
- 7	5302040-3	CLIP							2	
		(ATTACHING PARTS)								
- 8	1601-0410	RIVET (V19738)							2	

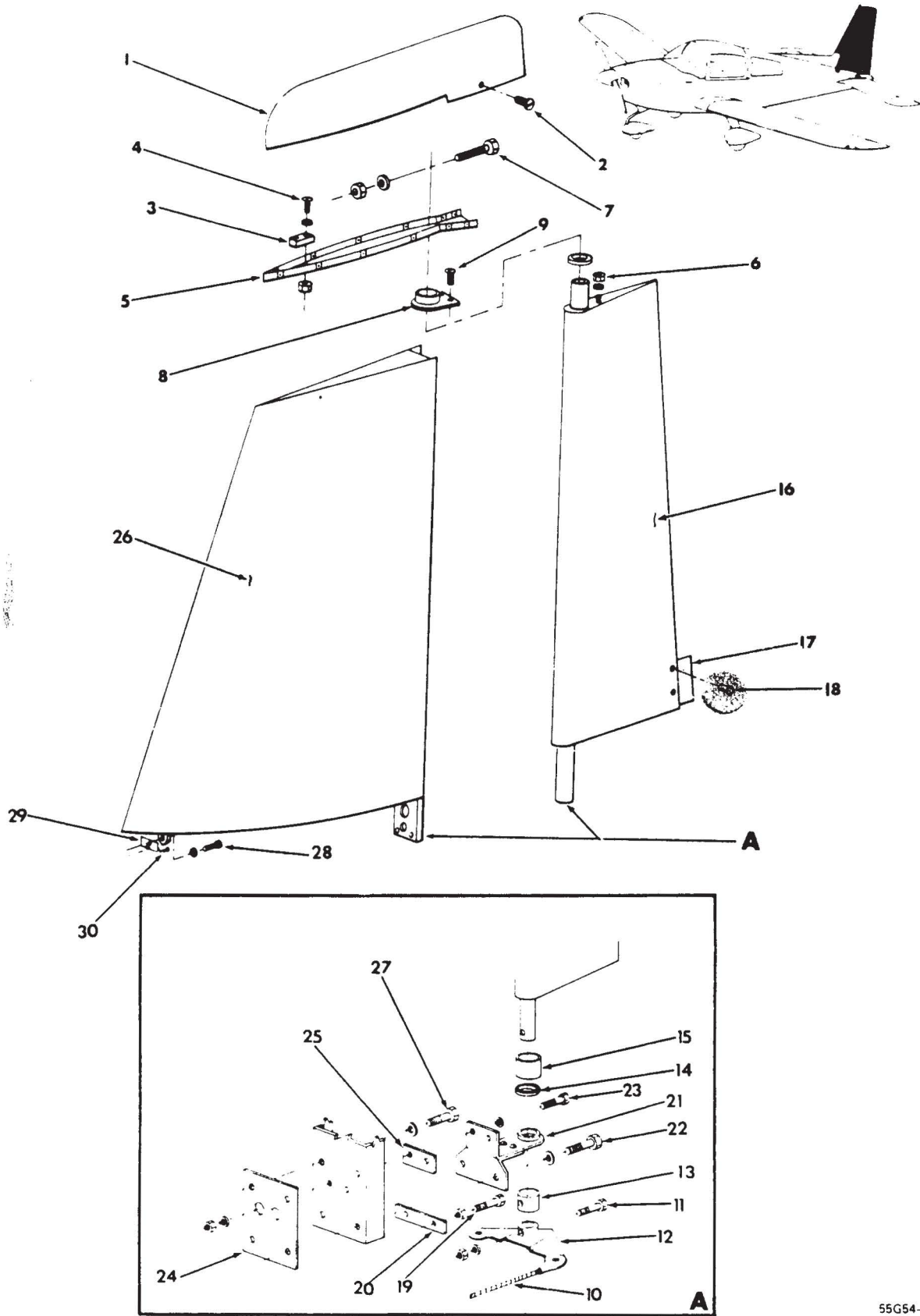
- 9	5302048-501	FAIRING ASSY							1	
		(ATTACHING PARTS)								
-10	GAES1022Z6-10	SCREW							2	
	A3135-017-24A	WASHER							2	
	A1784-6Z-1	NUT							2	

-11	5302051-7	SUPPORT							1	
		(ATTACHING PARTS)								
-12	1601-0410	RIVET							3	

	103012-503	TAIL INSPECTION COVER INSTALLATION (LH)							NP	
	103012-504	TAIL INSPECTION COVER INSTALLATION (RH)							NP	
-13	103012-3	COVER (LH)							1	
	103012-4	COVER (RH)							1	
		(ATTACHING PARTS)								
-14	AN526-632R8	SCREW							7	
	AN960-6L	WASHER							7	
	AN936A6	WASHER							7	

		A = AA5A-0283 THRU 0704								
		AA5B-0400 THRU 0944								
		B = AA5A-0705 AND SUBSEQUENT AND SPARES								
		AA5B-0945 AND SUBSEQUENT								

AA-5 SERIES
ILLUSTRATED PARTS CATALOG

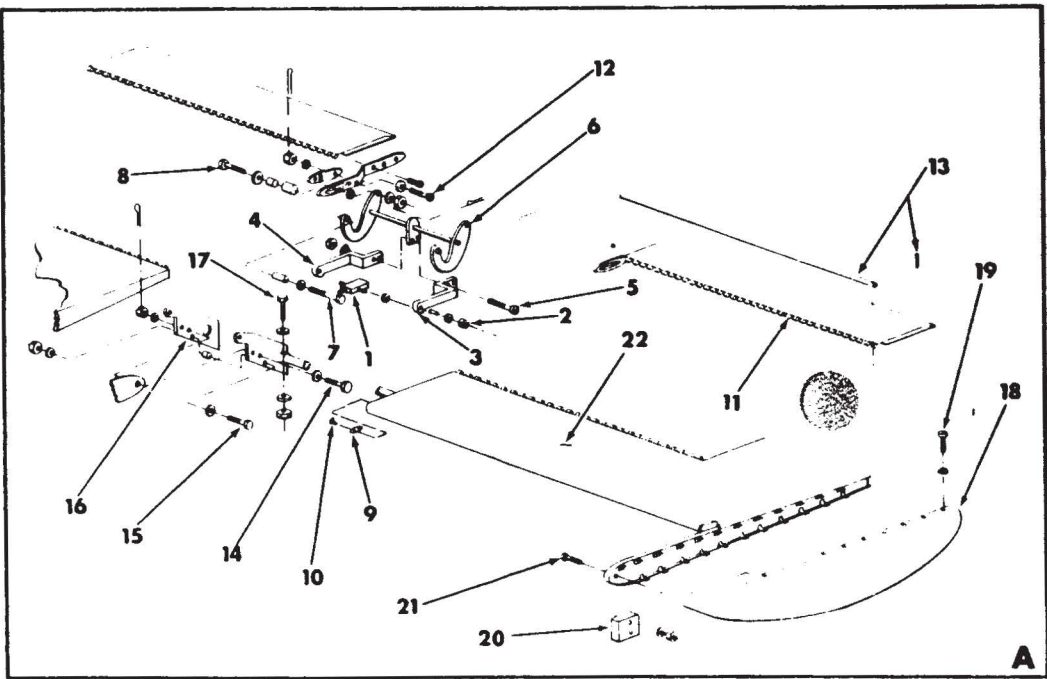
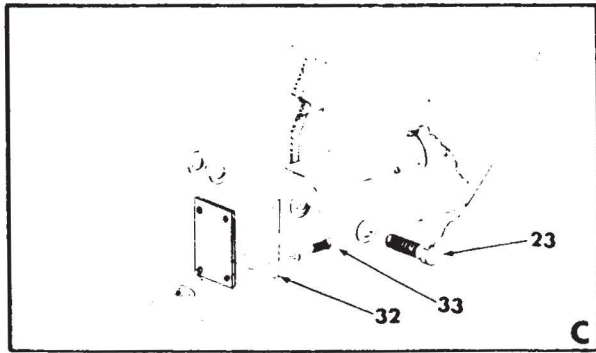
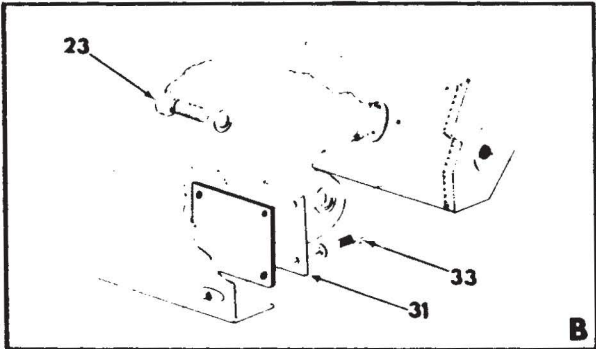
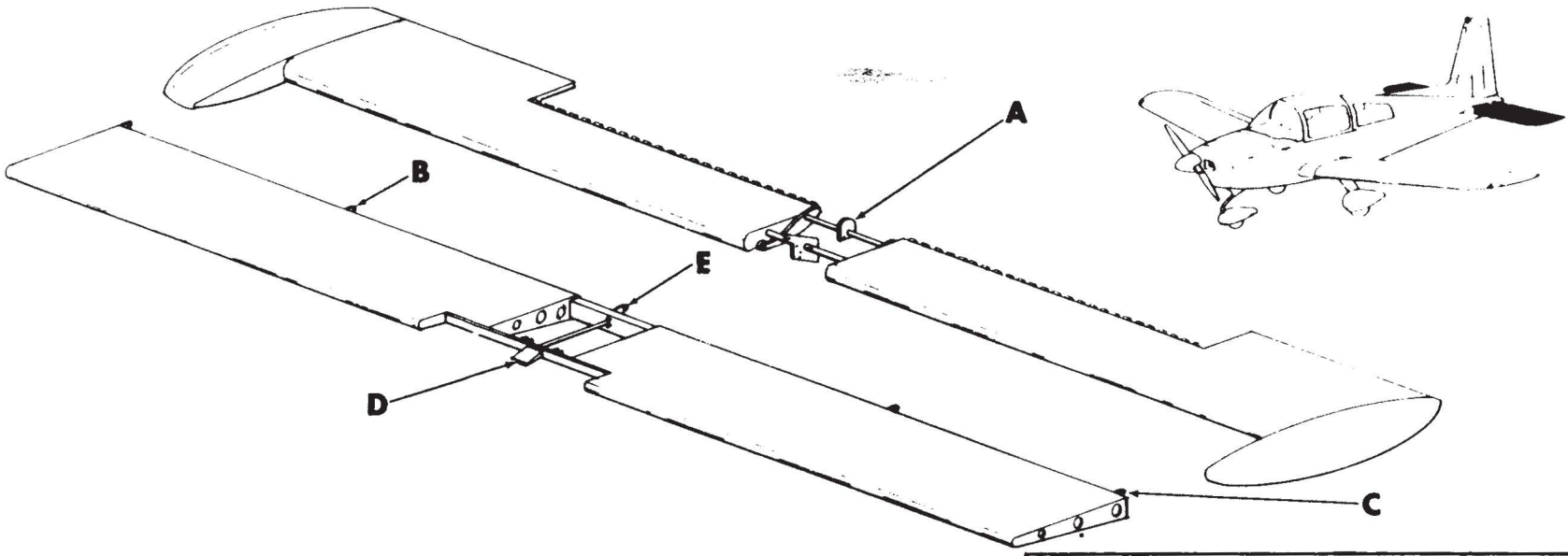


Vertical Tail Installation
Figure 55-2

55G54-2

AA-5 SERIES
ILLUSTRATED PARTS CATALOG

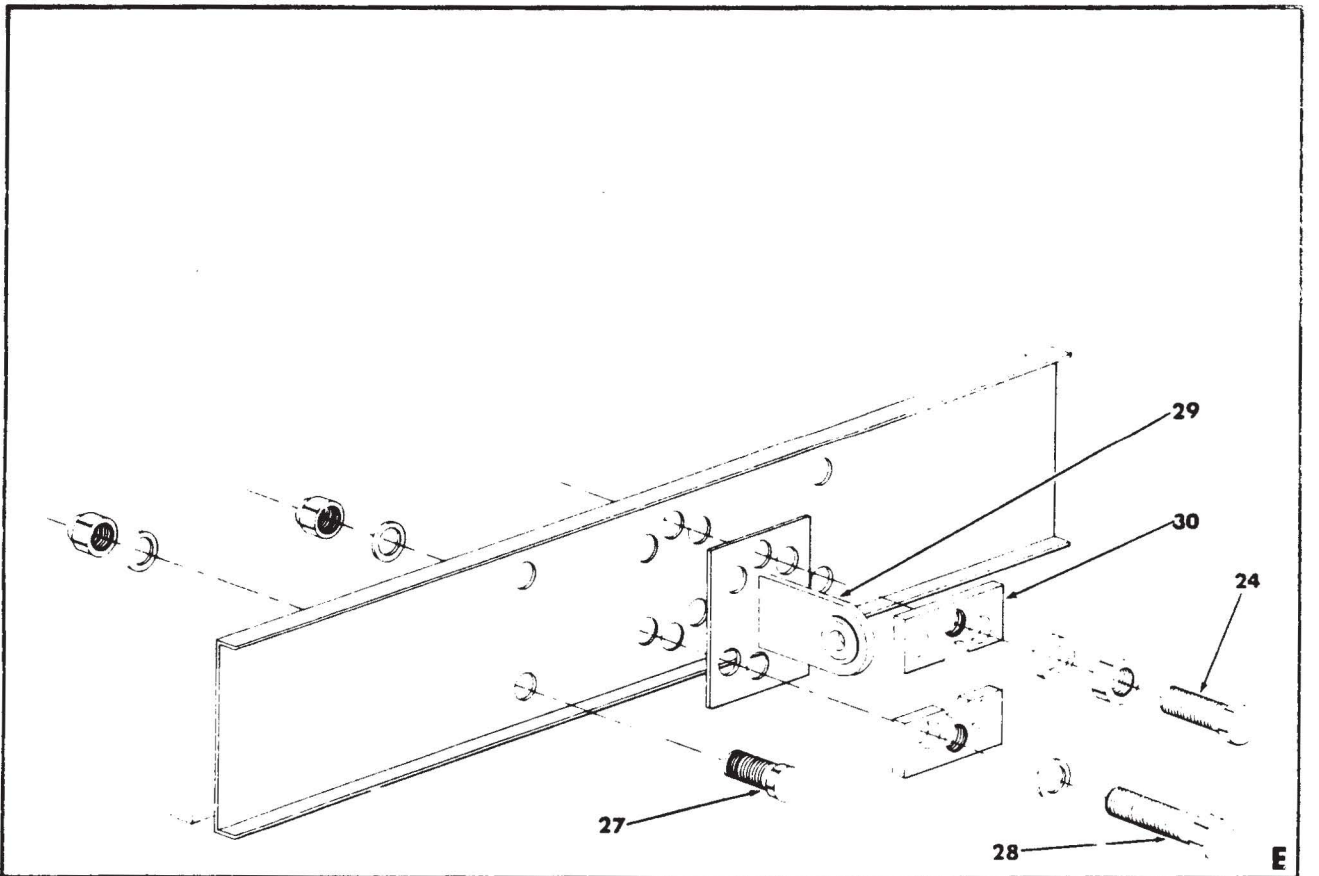
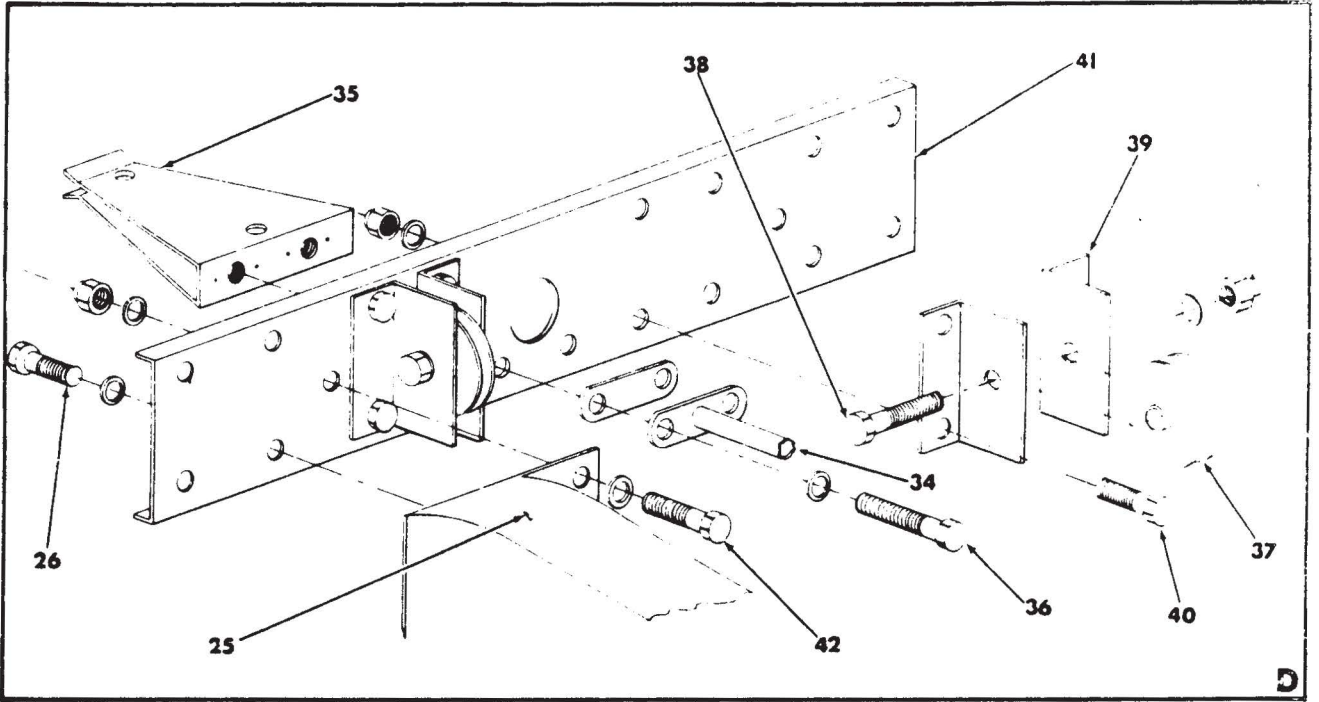
Figure & Index No.	Part Number	Nomenclature							Units Per Assy	Usable On Code
		1	2	3	4	5	6	7		
55- 2	5300003-501 5300003-503 804001-505	VERTICAL TAIL INSTALLATION							NP	A
		VERTICAL TAIL INSTALLATION							NP	C
		FLASHING BEACON INSTALLATION (OPTIONAL)							AR	
		(SEE FIGURE 33-1 FOR BREAKDOWN.)								
- 1	302039-1	RUDDER TIP							1	
		(ATTACHING PARTS)								
- 2	GAES1021Z6-6	SCREW							12	
- 3	302040-4	MASS BALANCE							1	A
	302040-9	MASS BALANCE							1	B
	302040-8	MASS BALANCE							1	C
		(ATTACHING PARTS)								
- 4	MS24694S69	SCREW							2	
	AN960-10	WASHER							2	
	MS20365-1032	NUT							2	
		(ATTACHING PARTS)								
- 5	302038-501	RIB ASSY							1	
		(ATTACHING PARTS)								
- 6	AN960-10	WASHER							1	
	MS20365-1032	NUT							1	
- 7	AN3-15A	BOLT							1	
	AN960-10	WASHER							1	
	MS20365-1032	NUT							1	
	902014-2	SPACER							2	
		(ATTACHING PARTS)								
- 8	301030-501	BEARING SUPPORT ASSY							1	
		(ATTACHING PARTS)								
- 9	MS24694S53	SCREW							2	
-10	5602107	CONTROL CABLES (SEE FIGURE 27-5 FOR							REF	
		BREAKDOWN.)								
-11	NAS464P4A23	BOLT							1	
	AN960-416	WASHER							2	
	MS20364-428	NUT							1	
-12	902011-502	BELLCRANK ASSY							1	
-13	902012-2	SPACER							1	
-14	902014-2	SPACER							AR	
-15	902012-1	SPACER							1	
-16	5302038-502	RUDDER ASSY							1	
-17	302037-1	TAB TRIM							1	
		(ATTACHING PARTS)								
-18	MS20426B4-4	RIVET							2	
-19	901056-1	BOLT - ADJUSTMENT							2	
	AN316-4R	NUT							2	
-20	302042-1	SPACER							AR	
-21	300002-502	SUPPORT BEARING ASSY							1	
		(ATTACHING PARTS)								
-22	AN6-7A	BOLT							2	
	AN960-616	WASHER							4	
-23	AN3-6A	BOLT							2	
	AN960-10	WASHER							4	
	MS20365-1032	NUT							2	
-24	301035-3	SHIM							AR	
	301035-4	SHIM							AR	
-25	302045-1	SHIM							1	
-26	5302038-506	STABILIZER ASSY							1	
		(ATTACHING PARTS)								
-27	AN6-6A	BOLT							2	
	AN960-616L	WASHER							4	
-28	AN4-5A	BOLT							1	
	AN960-416	WASHER							1	
-29	5300003-1	SHIM							AR	
		(ATTACHING PARTS)								
-30	1601-0410	RIVET (V19738)							2	
		(ATTACHING PARTS)								
		A = AA5A-0283 THRU AA5A-0522								
		AA5B-0400 THRU AA5B-0692								
		B = AA5A-0523 AND SUBSEQUENT								
		C = AA5B-0693 AND SUBSEQUENT								



Horizontal Tail and Tab Drive Installation
Figure 55:3 (Sheet 1 of 2)

55654 3 1

AA-5 SERIES
ILLUSTRATED PARTS CATALOG



Horizontal Tail and Tab Drive Installation
Figure 55-3 (Sheet 2 of 2)

55G54-3

AA-5 SERIES
ILLUSTRATED PARTS CATALOG

Figure & Index No.	Part Number	Nomenclature							Units Per Assy	Usable On Code
		1	2	3	4	5	6	7		
55- 3	NO NUMBER	HORIZONTAL TAIL AND TAB DRIVE INSTALLATION							NP	
	5302053-501	TAB DRIVE ASSY AND INSTALLATION							NP	
- 1	5302053-502	ACTUATOR ASSY							1	
		(ATTACHING PARTS)								
- 2	607012-2	BUSHING							2	
	AN970-4	WASHER							4	
	607012-1	ROLLER							2	
	AN960-10	WASHER							2	
	MS20364-1032	NUT							2	
- 3	5302053-5	ARM (LH)							1	
- 4	5302053-6	ARM (RH)							1	
		(ATTACHING PARTS FOR INDEX NUMBERS -3 AND -4)								
- 5	AN3-5A	BOLT							2	
	AN960-10	WASHER							2	
	MS20364-1032	NUT							2	
- 6	5302053-503	YOKE ASSY							1	
		(ATTACHING PARTS)								
- 7	AN4H17A	BOLT							2	
	5901017-1	WASHER							2	
	NAS75-4-028	BUSHING							2	
	MS20995C41	SAFETY WIRE							AR	
- 8	AN23-10	BOLT							2	
	607012-1	ROLLER							2	
	607012-2	BUSHING							2	
	AN970-4	WASHER							2	
	AN960-416	WASHER							2	
	AN960-10	WASHER							4	
	AN960-10L	WASHER							2	
	AN310-3	NUT							2	
	MS24665-132	COTTER PIN							2	
- 9	5302043-11	CLIP							2	
		(ATTACHING PARTS)								
-10	1601-0410	RIVET (V19738)							1	
-11	5302050-501	HORIZONTAL TAIL INSTALLATION							NP	
	5302047-501	TAB ASSY (LH)							1	
	5302047-502	TAB ASSY (RH)							1	
		(ATTACHING PARTS)								
-12	AN23-8	BOLT							1	
	AN960-10L	WASHER							2	
	AN310-3	NUT							1	
	MS24665-132	COTTER PIN							1	
-13	MS24665-69	COTTER PIN							2	
	5302047-10	HINGE PIN							1	
-14	AN4-7	BOLT							1	
	AN960-416	WASHER							1	
	AN960-416L	WASHER							AR	
	AN310-4	NUT							1	
	MS24665-132	COTTER PIN							1	
-15	AN4-7A	BOLT							2	
	AN960-416	WASHER							4	
	5302045-3	SPACER							2	
	MS20364-428	NUT							2	
-16	5302045-501	BELLCRANK							1	
	5302045-502	BELLCRANK							1	
		(ATTACHING PARTS)								
-17	NAS404P4A20	BOLT							1	
	AN960-416	WASHER							2	
	MS20364-428	NUT							1	

C
C
C
C
R
R
R
R

AA-5 SERIES
ILLUSTRATED PARTS CATALOG

Figure & Index No.	Part Number	Nomenclature							Units Per Assy	Usable On Code
		1	2	3	4	5	6	7		
55- 3 -18	5302052-1	ELEVATOR TIP							2	
		(ATTACHING PARTS)								
-19	GAES1022Z6-10	SCREW							18	
	A3236-012-4	WASHER (V78533)							18	
	A1784-6Z-1	NUT (V78533)							18	
-20	5302054-1	MASS BALANCE							2	A
	5302054-3	MASS BALANCE							2	B
		(ATTACHING PARTS)								
-21	MS24694-S120	SCREW							2	
	AN960-416	WASHER							2	
	A1784-6Z-1	NUT (V78533)							2	
-22	5302044-501	ELEVATOR ASSY (LH)							1	
	5302044-502	ELEVATOR ASSY (RH)							1	
		(ATTACHING PARTS)								
-23	AN4A-12A	BOLT							2	
	AN960-416	WASHER							2	
	AN960-416L	WASHER							AR	
	MS20995C32	SAFETY WIRE							AR	
-24	NAS428-4-22	BOLT							2	
	NAS428-4-12	BOLT (ALT - USE WHEN PLATE P/N 5302041-11 IS USED.)							2	
	5302055-6	SPACER (USE WITH BOLT P/N NAS428-4-22.)							2	
	AN960-416	WASHER (USE WITH BOLT P/N NAS428-4-12.)							2	
	MS35691-5	NUT							2	
-25	5302042-501	HORIZONTAL STABILIZER							1	
	5302042-503	HORIZONTAL STABILIZER (OPT)							AR	B
		(ATTACHING PARTS)								
-26	AN4-4A	BOLT							8	
	AN960-416	WASHER							8	
-27	AN6-7A	BOLT							4	
	AN960-616	WASHER							4	
-28	AN4-5A	BOLT							2	
	AN960-416	WASHER							4	
	MS20365-428	NUT							2	
-29	5302042-4	BOOT (USED ON 5302042-503 ONLY)							3	B
	5302041-501	BRACKET ASSY							1	
		(ATTACHING PARTS)								
-30	5302041-11	PLATE							2	
	AN4-10A	BOLT							2	
	AN960-416	WASHER							4	
	MS20365-428	NUT							2	
-31	5302041-502	BRACKET							2	
-32	5302041-503	BRACKET							2	
		(ATTACHING PARTS FOR INDEX NUMBERS -31 AND -32.)								
-33	AN4-6A	BOLT							4	
	AN960-416	WASHER							4	
	5302042-3	SHIM							AR	
-34	5302055-501	PULLEY BRACKET SUPPORT ASSY							1	
-35	5302049-501	BRACKET ASSY							1	
		(ATTACHING PARTS FOR INDEX NUMBERS -34 AND -35.)								
-36	AN4-5A	BOLT							2	
	AN960-416	WASHER							2	
	5302055-5	SHIM (MINIMUM ONE EACH LOCATION)							AR	

R
R
R
R

AA-5 SERIES
ILLUSTRATED PARTS CATALOG

Figure & Index No.	Part Number	Nomenclature							Units Per Assy	Usable On Code
		1	2	3	4	5	6	7		
55- 3 -37	MS20220-1	.	.	PULLEY	2	
				(ATTACHING PARTS)						
-38	AN5-12	.	.	BOLT	1	
	AN5-12A	.	.	BOLT (ALT)	1	
	AN960-516	.	.	WASHER	1	
	AN310-5	.	.	NUT	1	
	MS20364-524	.	.	NUT (ALT)	1	
	MS24665-132	.	.	COTTER PIN	1	

-39	5302046-1	.	.	BRACKET (LH)	2	
	5302046-2	.	.	BRACKET (RH)	2	
				(ATTACHING PARTS)						
-40	AN3-4A	.	.	BOLT	2	
	AN960-10	.	.	WASHER	2	
	MS20364-1032	.	.	NUT	2	

-41	5302046-3	.	.	SPAR	1	
				(ATTACHING PARTS)						
-42	AN6-6A	.	.	BOLT	2	
	AN960-616	.	.	WASHER	4	
	MS20364-624	.	.	NUT	2	

				A = AA5A-0283 THRU 0522						
				AA5B-0400 THRU 0692						
				B = AA5A-0523 AND SUBSEQUENT						
				AA5B-0693 AND SUBSEQUENT						
				C = AA5A-0606 AND SUBSEQUENT						
				AA5B-0802 AND SUBSEQUENT						

R
R
R
R
R