

AA-5 SERIES  
ILLUSTRATED PARTS CATALOG

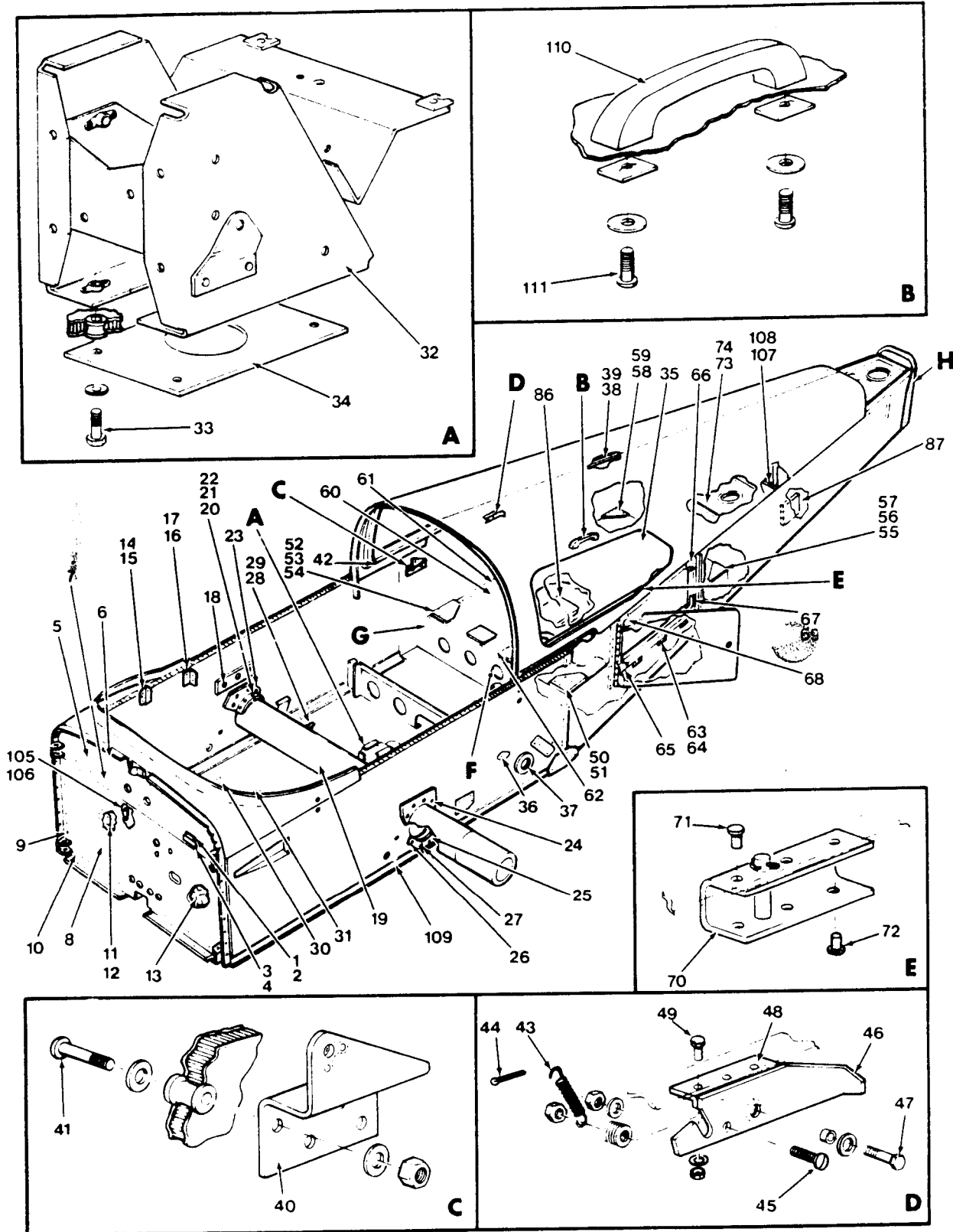
CHAPTER 53

FUSELAGE

TABLE OF CONTENTS

<u>SUBJECT</u>	<u>FIGURE NUMBER</u>
FUSELAGE ASSEMBLY	53-1
REAR BULKHEAD ASSEMBLY	53-2
FUSELAGE ASSEMBLY – SPARES	53-3
TAILCONE ASSEMBLY AND INSTALLATION	53-4
PASSENGER STEP INSTALLATION	53-5

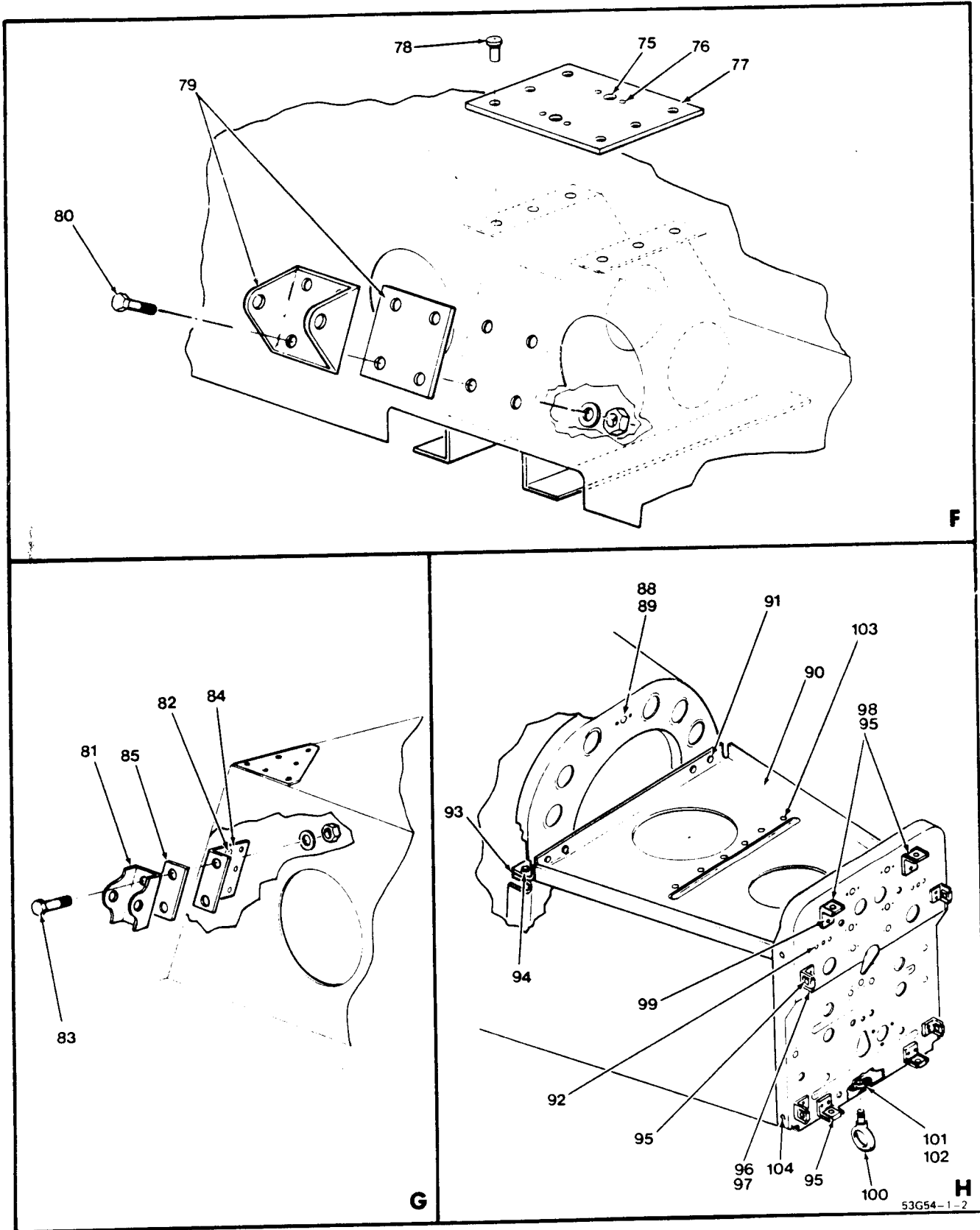
AA-5 SERIES  
ILLUSTRATED PARTS CATALOG



Fuselage Assembly (Sheet 1 of 2)  
Figure 53-1

53G54-1-1

AA-5 SERIES  
ILLUSTRATED PARTS CATALOG



Fuselage Assembly (Sheet 2 of 2)  
Figure 53-1

AA-5 SERIES  
ILLUSTRATED PARTS CATALOG

Figure & Index No.	Part Number	Nomenclature 1 2 3 4 5 6 7	Units	Usable	
			Per Assy	On Code	
53- 1	- 1 5102299-504 5102299-503 803007-18	FUSELAGE ASSY	1	A	
		FUSELAGE ASSY	1	B	
		PLACARD - FINISH AND TRIM (ATTACHING PARTS)	1	.	
	- 2	1601-0410	RIVET (V19738)	2	.
	- 3	5803007-43	PLACARD - PAINT STRIPPER (ATTACHING PARTS)	1	.
	- 4	1601-0410	RIVET (V19738)	4	.
	- 5	5102376-3	FIREWALL (ATTACHING PARTS)	1	.
	- 6	1601-0410	RIVET (V19738)	20	.
	- 7	MD424BS	RIVET (V61957)	25	.
	- 8	5102376-503 5102376-504 5102376-505	FIREWALL ASSY FIREWALL ASSY FIREWALL ASSY (ATTACHING PARTS)	1 1 1	A B D
	- 9	CR2239-4-2	RIVET (V05693)	28	R R R
	- 10	1601-0410	RIVET (V19738)	6	
	- 11	102357-2	PLATE (ATTACHING PARTS)	1	
	- 12	AN526-1032R16 AN970-3 MS20364-1032	SCREW WASHER NUT	1 1 1	
	- 13	102101-1	INSULATION	1	
	- 14	5102347-501 5102347-502	SUPPORT ASSY (LH) SUPPORT ASSY (RH) (ATTACHING PARTS)	1 1 1	
	- 15	MS24694-S58 AN960-10 A3235-028-24A MS20364-1032	SCREW WASHER WASHER (V78533) (LOWER SCREW ONLY) NUT	2 2 1 2	
	- 16	NAS680-A08 102277-1	NUT PLATE BRACKET - WINDSHIELD SUPPORT (ATTACHING PARTS)	REF 2	
	- 17	CR2249-4-3	RIVET (V05693)	2	
	- 18	A10-75	RIVNUT (V03481)	6	
	- 19	5102310-501 5102310-502	INBOARD SPAR INBOARD SPAR (ATTACHING PARTS)	1 1 1	
	- 20	AN6-10A AN960-616L MS20305-624	BOLT WASHER NUT	12 24 12	
	- 21	5102299-1	SPACER	6	
	- 22	5102299-2	SPACER	7	
- 23	102031-1	SUPPORT (UPPER) (ATTACHING PARTS)	2		
- 24	AN4-11A AN960-416 901035-1 MS20365-428	BOLT WASHER WASHER NUT	4 4 4 4		

AA-5 SERIES  
ILLUSTRATED PARTS CATALOG

Figure & Index No.	Part Number	Nomenclature							Units Per Assy	Usable On Code
		1	2	3	4	5	6	7		
53- 1 - 25	102031-1	SUPPORT (LOWER) . . . . .							2	
		(ATTACHING PARTS)								
- 26	AN4-11A	BOLT . . . . .							2	
	AN960-416	WASHER . . . . .							2	
	901035-1	WASHER . . . . .							2	
	MS20365-428	NUT . . . . .							2	
- 27	NAS222-18	SCREW . . . . .							2	
	AN960-416	WASHER . . . . .							2	
	MS20365-428	NUT . . . . .							2	
	102299-6	SHIM . . . . .							AR	
	102299-9	SHIM . . . . .							AR	
- 28	5102335-1	SUPPORT (LH) . . . . .							1	
	5102335-2	SUPPORT (RH) . . . . .							1	
		(ATTACHING PARTS)								
- 29	AN3-6A	BOLT . . . . .							1	
	AN960-10L	WASHER . . . . .							1	
- 30	GAES200-6	STUD . . . . .							26	
	GAES200-8	CAP . . . . .							26	
	1601-0410	RIVET (V19738) . . . . .							52	
- 31	GAES200-7	STUD . . . . .							6	
	GAES200-9	CAP . . . . .							6	
	1601-0410	RIVET (V19738) . . . . .							12	
- 32	5102331-501	SUPPORT ASSY . . . . .							1	
		(ATTACHING PARTS)								
- 33	AN4-12A	BOLT . . . . .							4	
	AN970-4	WASHER . . . . .							4	
	GAES201-2	SPACER . . . . .							4	
- 34	5102331-10	DOUBLER . . . . .							1	
- 35	NO NUMBER	REAR WINDOW INSTALLATION (SEE FIGURE 56-2) . . . . .							REF	
- 36	MS20364-1032	NUT . . . . .							2	
	AN960-10L	WASHER . . . . .							2	
	GAES200-1	FASTENER . . . . .							2	
	1601-0410	RIVET (V19738) . . . . .							2	
- 37	902018-1	SEAL . . . . .							2	
- 38	804067-1	PLATE (LH) . . . . .							1	
	804067-2	PLATE (RH) . . . . .							1	
		(ATTACHING PARTS)								
- 39	MS24694-50	SCREW . . . . .							3	
	AN960-10	WASHER . . . . .							3	
	MS20365-1032	NUT . . . . .							3	
- 40	804037-501	PLATE ASSY (RH) . . . . .							1	
	804037-501	PLATE ASSY (LH) . . . . .							1	
		(ATTACHING PARTS)								
- 41	MS24694S59	SCREW . . . . .							4	
	AN960-10	WASHER . . . . .							4	
	GAES201-6	SPACER . . . . .							4	
	A3235-028-24A	WASHER (V78533) (FWD TWO SCREWS ONLY) . . . . .							2	
	MS20364-1032	NUT . . . . .							4	
- 42	1601-0410	RIVET (V19738) . . . . .							4	
- 43	LE026C-1	SPRING (V84830) . . . . .							2	
		(ATTACHING PARTS)								
- 44	MS24665-132	COTTER PIN . . . . .							1	
- 45	AN23-10	BOLT . . . . .							1	

AA-5 SERIES  
ILLUSTRATED PARTS CATALOG

Figure & Index No.	Part Number	Nomenclature							Units Per Assy	Usable On Code
		1	2	3	4	5	6	7		
53- 1 -	AN960-10	WASHER							5	
	AN320-3	NUT							1	
	MS24665-132	COTTER PIN							1	
- 46	5102335-3	LATCH (LH)							1	
	5102335-4	LATCH (RH)							1	
		(ATTACHING PARTS)								
- 47	AN3-4A	BOLT							1	
	AN960-10L	WASHER							2	
	AN960-10	WASHER (UNDER NUT)							1	
	5102335-6	BUSHING							1	
	MS20364-1032	NUT							1	
- 48	5102335-5	BRACKET							2	
		(ATTACHING PARTS)								
- 49	AN3-5A	BOLT (LH)							3	
	AN3-4A	BOLT (RH)							3	
	AN960-10	WASHER (NEAR SIDE)							3	
	AN365-1032	NUT (NEAR SIDE)							3	
- 50	5102336-7	GUSSET (LH-FWD)							1	
		(ATTACHING PARTS)								
- 51	CR2249-4-2	RIVET (V05693)							3	
- 52	5102336-7	GUSSET (RH-FWD)							1	
		(ATTACHING PARTS)								
- 53	CR2249-4-2	RIVET (V05693)							2	
- 54	CR2249-4-3	RIVET (V05693)							1	
- 55	5102364-1	GUSSET (LH-AFT)							1	
		(ATTACHING PARTS)								
- 56	CR2249-4-2	RIVET (V05693)							4	
- 57	CR2249-4-3	RIVET (V05693)							2	
- 58	5102364-1	GUSSET (RH-AFT)							1	
		(ATTACHING PARTS)								
- 59	CR2249-4-3	RIVET (V05693)							6	
- 60	5102333-1	FLOOR - BAGGAGE							1	
		(ATTACHING PARTS)								
- 61	CR2249-4-2	RIVET (V05693)							22	
- 62	1601-0410	RIVET (V19738)							21	
- 63	5102286-501	SUPPORT ASSY							3	
		(ATTACHING PARTS)								
- 64	MS20426AD3-4	RIVET							8	
	5102286-3	SHIM							1	
- 65	5102363-1	GUSSET							1	
- 66	5102363-2	GUSSET							1	
- 67	5102363-3	GUSSET							1	
- 68	5102363-4	GUSSET							1	
		(ATTACHING PARTS FOR INDEX -65 THROUGH -68)								
- 69	1601-0410	RIVET (V19738)							6	
- 70	5102368-1	SUPPORT CHANNEL							1	
		(ATTACHING PARTS)								
- 71	1601-0512	RIVET (V19738)							3	
- 72	1601-0410	RIVET (V19738)							3	

AA-5 SERIES  
ILLUSTRATED PARTS CATALOG

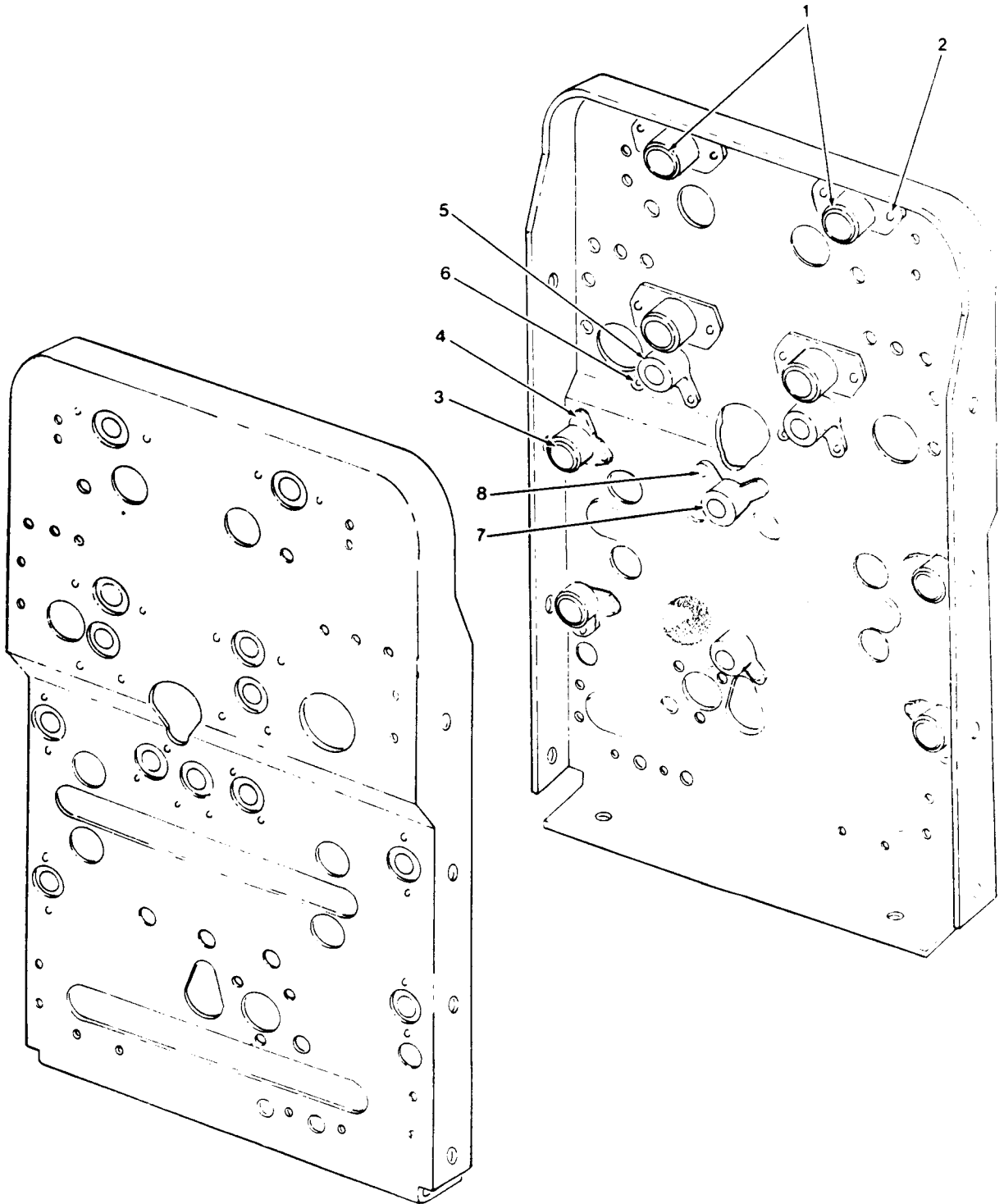
Figure & Index No.	Part Number	Nomenclature							Units Per Assy	Usable On Code
		1	2	3	4	5	6	7		
53- 1 - 73	5102359-1	STIFFENER							1	
- 74	1601-0410	RIVET (V19738)							10	
- 75	NAS680A3	NUTPLATE							2	
- 76	1204-0306	RIVET (V19738)							2	
- 77	5102336-3	DOUBLER							1	
- 78	MS20470AD4-5	RIVET							6	
- 79	5102330-2 5102330-1	DOUBLER BRACKET							1 1	
- 80	AN3-5A AN960-10 MS20365-1032	BOLT WASHER NUT							4 4 4	
- 81	5102330-5	BRACKET							2	
- 82	CR2249-4-2	RIVET (V05693)							8	
- 83	AN3-5A AN960-10 MS20365-1032	BOLT WASHER NUT							2 2 2	
- 84	5102330-4	DOUBLER							2	
- 85	5102330-6	PLATE							2	
- 86	102299-7	SOUND DEADENER							2	
- 87	102299-3	SOUND DEADENER							9	
- 88	52LHTA51-048	NUTPLATE (ESNA)							3	
- 89	MS20426AD3-4	RIVET (V19738)							2	
- 90	102291-501	PANEL ASSY							1	
- 91	1601-0410	RIVET (V19738)							34	
- 92	MS20470AD4-5	PIVET							6	
- 93	102299-4	SHIM							AR	
- 94	1601-0410	RIVET (V19738)							2	
- 95	A1784-6Z-1	NUT (V78533)							8	
- 96	102316-1	BRACKET							6	
- 97	1601-0410	RIVET (V19738)							2	
- 98	102316-5 102316-4	BRACKET (LH) BRACKET (RH)							1 1	
- 99	1601-0410	RIVET (V19738)							2	
-100	901033-1	EYEBOLT							1	
-101	AN960-516L NAS680AS	WASHER NUTPLATE							1 1	
-102	1601-0410	RIVET (V19738)							2	

AA-5 SERIES  
ILLUSTRATED PARTS CATALOG

Figure & Index No.	Part Number	Nomenclature	Units Per Assy	Usable On Code		
				1 2 3 4 5 6 7		
53- 1	-103	A6-75	RIVNUT (V03481)	10		
	-104	A6-120	RIVNUT (V03481)	4		
	-105	602105-1	PLATE (ATTACHING PARTS)	1		
	-106	1601-0410	RIVET (V19738)	2		
	-107	102299-5	SHIM (ATTACHING PARTS)	AR		
	-108	1601-0410	RIVET (V19738)	2		
	-109	5102297-505	FUSELAGE ASSY	1		
	-110	7BP10520-11 FCF2XH	HANDLE	2	C	R
			HANDLE (LIBERTY) (ALT) (ATTACHING PARTS)	2	C	R
	-111	MS24621-57	SCREW (USE WITH 7BP10520-11)	2	C	R
		AN935-416	WASHER (USE WITH 7BP10520-11)	2	C	R
		AN936B10	WASHER (USE WITH 7BP10520-11)	2	C	R
		MS20074-04-04	BOLT (USE WITH FCF2XH)	2	C	R
		AN970-4	WASHER (USE WITH FCF2XH)	2	C	R
		AN936B412	WASHER (USE WITH FCF2XH)	2	C	R
			A = AA5A-0283 THRU AA5A-0522			R
			B = AA5B-0400 THRU AA5B-0692			R
			C = AA5A-0283 THRU AA5A-0522 AA5B-0400 THRU AA5B-0692			R R
		D = AA5A-0523 AND SUBSEQUENT AA5B-0693 AND SUBSEQUENT			R R	
		* = REFER TO CHAPTER 11 FOR PLACARDS				



AA-5 SERIES  
ILLUSTRATED PARTS CATALOG



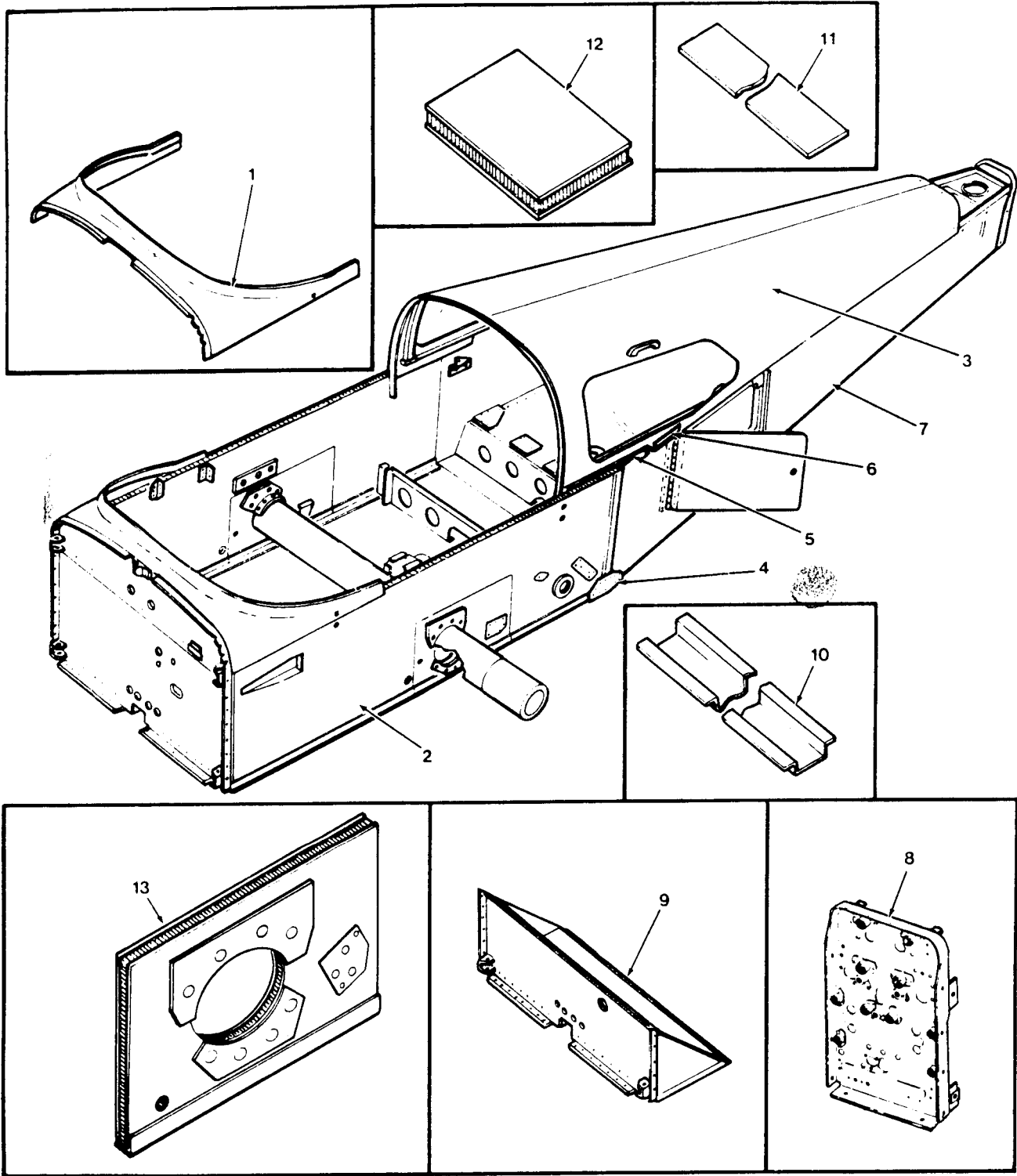
Bulkhead Assembly (Rear)  
Figure 53-2

53054 2 1

AA-5 SERIES  
ILLUSTRATED PARTS CATALOG

Figure & Index No.	Part Number	Nomenclature							Units Per Assy	Usable On Code
		1	2	3	4	5	6	7		
53- 2	- 1	5102380-501 NAS1031P6	REAR BULKHEAD ASSY	.....	.....	.....	.....	.....	NP	
	- 2	1604-0412	NUTPLATE	.....	.....	.....	.....	.....	4	
	- 3	NAS684A6	(ATTACHING PARTS)	.....	.....	.....	.....	.....	2	
	- 4	1204-0308	RIVET (V19738)	.....	.....	.....	.....	.....	4	
	- 5	NAS1027N4	NUTPLATE	.....	.....	.....	.....	.....	2	
	- 6	1204-0308	(ATTACHING PARTS)	.....	.....	.....	.....	.....	2	
	- 7	NAS1027N4	RIVET (V19738)	.....	.....	.....	.....	.....	2	
	- 8	1204-0308	NUTPLATE	.....	.....	.....	.....	.....	AR	
			(ATTACHING PARTS)	.....	.....	.....	.....	2		
			RIVET (V19738)	.....	.....	.....	.....	2		

AA-5 SERIES  
ILLUSTRATED PARTS CATALOG



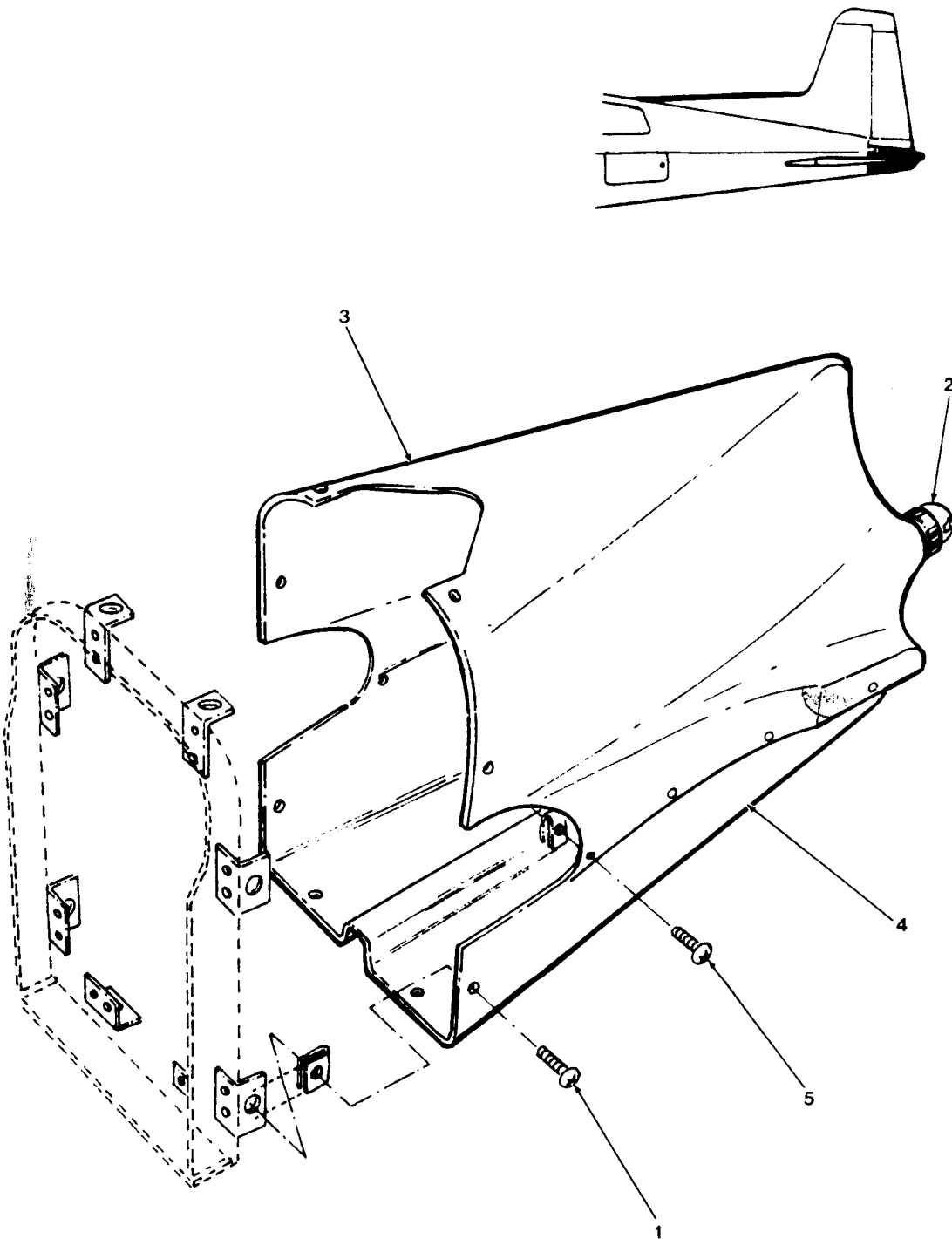
Fuselage Assembly (Spares)  
Figure 53-3

53G54-3-1

AA-5 SERIES  
ILLUSTRATED PARTS CATALOG

Figure & Index No.	Part Number	Nomenclature	Units Per Assy	Usable On Code	
					1 2 3 4 5 6 -
53- 3 -	5102299-903	FUSELAGE ASSY - SPARE	1	A B	
	5102299-904	FUSELAGE ASSY - SPARE	1		
	5102297-903	BONDED FUSELAGE ASSY	1		
	5102297-905	FORWARD FUSELAGE ASSY	1		
	- 1	5102295-501	FUSELAGE ASSY (UPPER FORWARD)	1	
	- 2	5102298-902	FUSELAGE ASSY (LOWER FORWARD)	1	
		5102297-907	AFT FUSELAGE ASSY	1	
	- 3	5102294-502	AFT FUSELAGE ASSY (UPPER)	1	
	- 4	5102372-1	GUSSET	1	
		5102372-2	GUSSET	1	
	- 5	5102375-1	SPLICE (LH)	1	
		5102375-2	SPLICE (RH)	1	
	- 6	5102375-5	SPLICE EXTENSION (LH)	1	
		5102375-6	SPLICE EXTENSION (RH)	1	
	- 7	5102298-906	AFT FUSELAGE ASSY (LOWER)	NP	
	- 8	5102380-501	BULKHEAD ASSY (REAR)	1	
	- 9	904001-501	FORWARD FUSELAGE REPAIR SECTION	1	
	-10	904001-9	PAN	1	
	-11	904001-10	DOUBLER	1	
	-12	A92002	HONEYCOMB REPAIR PANEL (SPECIFY SIZE REQUIRED)	AR	
-13	5102298-909	FUSELAGE REPAIR PANEL	1		
	5102298-910	FUSELAGE REPAIR PANEL	1		
A = AA5A-0283 AND SUBSEQUENT					
B = AA5B-0400 AND SUBSEQUENT					

AA-5 SERIES  
ILLUSTRATED PARTS CATALOG



Tailcone Installation  
Figure 53-4

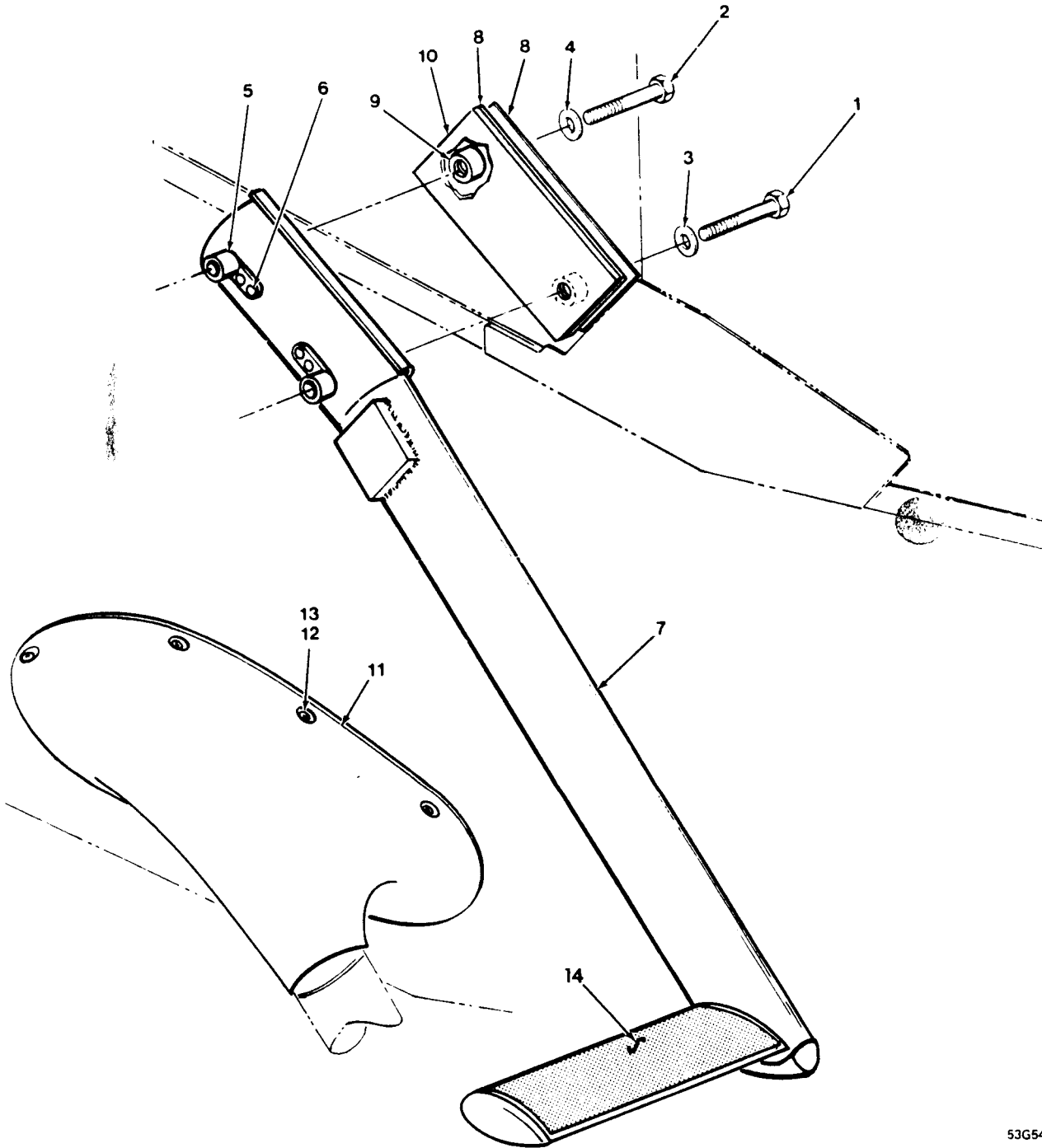
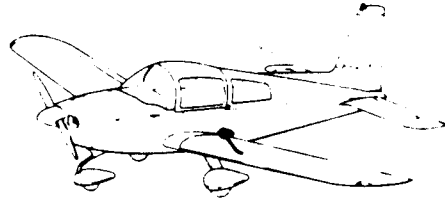
53G54-4-1

53  
Page 14  
April 15/77

AA-5 SERIES  
ILLUSTRATED PARTS CATALOG

Figure & Index No.	Part Number	Nomenclature							Units Per Assy	Usable On Code	
		1	2	3	4	5	6	7			
53- 4	-	5103012-502	TAILCONE INSTALLATION . . . . .							NP	
		5103012-501	TAILCONE ASSY . . . . .							1	
	- 1	GAES1021Z6-6	SCREW . . . . .							8	
	- 2	A2064-A-1-1777	LIGHT ASSY (V72914) (SEE FIGURE 33-1) . . . . .							1	
	- 3	5103012-1	TAILCONE HALF . . . . .							1	
	- 4	5103012-2	TAILCONE HALF . . . . .							1	
	- 5	GAES1021A6-6	SCREW . . . . .							10	
		NAS395-4-1	NUT CLIP . . . . .							10	
			-----								
			-----								

AA-5 SERIES  
ILLUSTRATED PARTS CATALOG



53G54-5-1

Passenger Step Installation (Optional)  
Figure 53-5

AA-5 SERIES  
ILLUSTRATED PARTS CATALOG

Figure & Index No.	Part Number	Nomenclature 1 2 3 4 5 6 7	Units Per Assy	Usable On Code	
53- 5	5804018-501	PASSENGER STEP INSTALLATION (LH) (OPT)	AR		
	5804018-502	PASSENGER STEP INSTALLATION (RH) (OPT)	AR		
	5804017-501	PASSENGER STEP ASSY (LH)	1		
	5804017-502	PASSENGER STEP ASSY (RH)	1		
		(ATTACHING PARTS)			
	- 1	AN5-21A	BOLT (LOWER)		1
	- 2	AN5DD21A	BOLT (UPPER)		1
	- 3	AN970-5	WASHER		2
	- 4	AN960-516L	WASHER		2
	- 5	NAS682A5	NUTPLATE		2
		(ATTACHING PARTS)			
	- 6	NAS1398M4	RIVET		2
	- 7	NO NUMBER	PASSENGER STEP WELDMENT		NP
	- 8	5804018-4	DOUBLER		1
- 9	5804018-2	SPACER	2		
-10	5804018-1	DOUBLER	1		
	5804049-501	PASSENGER STEP FAIRING INSTALLATION (LH) (OPT)	AR		
	5804049-502	PASSENGER STEP FAIRING INSTALLATION (RH) (OPT)	AR		
-11	5804048-1	STEP FAIRING (LH)	1		
	5804048-2	STEP FAIRING (RH)	1		
	(ATTACHING PARTS)				
-12	MS24894S4	SCREW	4		
-13	A3135-017-24A	WASHER	4		
-14	5804017-4	ANTI-SKID STRIP	1	A	
	5804017-13	ANTI-SKID STRIP	1		B
		A = AA5A-0283 THRU 0704 AA5B-0400 THRU 0944		R	
		B = AA5A-0705 AND SUBSEQUENT AA5B-0945 AND SUBSEQUENT		R	
				R	
				R	
				R	
				R	