

AA-5 SERIES
ILLUSTRATED PARTS CATALOG

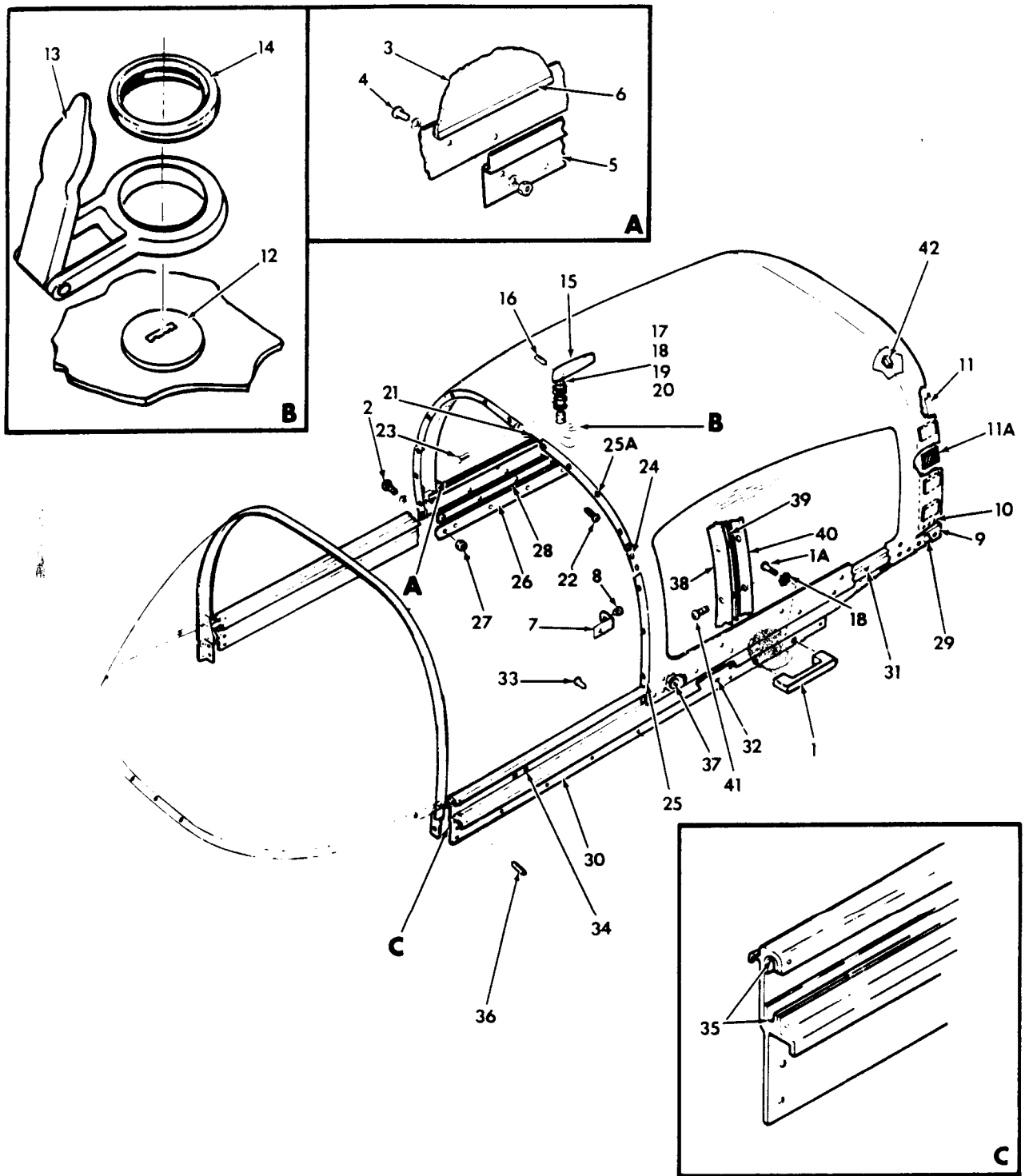
CHAPTER 52

DOORS

TABLE OF CONTENTS

<u>SUBJECT</u>	<u>FIGURE NUMBER</u>
CANOPY INSTALLATION	52-1
BAGGAGE DOOR INSTALLATION	52-2

AA-5 SERIES
ILLUSTRATED PARTS CATALOG



52G54-1-

Canopy Installation
Figure 52-1

AA-5 SERIES
ILLUSTRATED PARTS CATALOG

Figure & Index No.	Part Number	Nomenclature							Units Per Assy	Usable On Code
		1	2	3	4	5	6	7		
52- 1	5102275-501	CANOPY INSTALLATION							NP	
- 1	7005	HANDLE (V03007)							2	A
		(ATTACHING PARTS)								
- 1A	AN5261024-16	SCREW							2	A
	AN935-10	WASHER							2	A
- 1B	8562	CHAFING TAPE (V26066)							AR	A
	5102276-501	CANOPY ASSY							1	
	5102276-502	CANOPY ASSY (OPTIONAL)							AR	
		(ATTACHING PARTS)								
- 2	AN526-1032R9	SCREW							24	
	AN960-10	WASHER							24	
- 3	5102276-2	WINDOW (RH)							1	
	5102276-3	WINDOW (LH)							1	
	5102276-4	WINDOW (RH) TINTED (OPTIONAL)							1	
	5102276-5	WINDOW (LH) TINTED (OPTIONAL)							1	
		(ATTACHING PARTS)								
- 4	AN526-1032R6	SCREW							5	
	AN960-10L	WASHER							10	
	MS20364-1032	NUT							5	
- 5	5102271-1	RETAINER							1	
- 6	7402	SEAL (V92798)							AR	
	7224	SEAL (V71015) (ALT.)							AR	
- 7	5102276-6	STOP							2	
- 8	3263	BUMPER (V02231)							2	
- 9	5102280-1	FAIRING (LH)							1	
	5102280-2	FAIRING (RH)							1	
		(ATTACHING PARTS)								
-10	MS20470AD4-4	RIVET							4	
-11	1803-4	SEAL (V09144)							AR	
-11A	8562	CHAFING TAPE (V26066)							AR	A
-12	H72A3H	LOCK (HURD)							1	
-13	DC1	DUST COVER ASSY (FORT LOCK)							1	
-14	MS28775-210	O-RING							1	
-15	5102281-2	HANDLE							1	
		(ATTACHING PARTS)								
-16	52-028-125	ROLL PIN (ESNA)							1	
-17	AN6227B7	O-RING							1	
-18	AN960-616	WASHER							AR	
	AN960-616L	WASHER							AR	
-19	NAS1368N6B	GROMMET							1	
-20	AN6227B6	O-RING							1	
-21	5102277-503	LATCH ASSY							1	
		(ATTACHING PARTS)								
-22	GAES1021Z6-8	SCREW							11	
	NAS395-6-1	NUT							8	
-23	1604-0412	RIVET (V19738)							4	
-24	MS24693S51	SCREW							4	
	MS20364-832	NUT							4	
-25	1260	SEAL (V77969)							AR	
		(ATTACHING PARTS)								
-25A	1601-0412	RIVET (V19738)							4	
	A3236-012-4	WASHER (V79533)							4	
-26	5102270-501	TRACK ASSY							2	
	5102270-1	TRACK							1	
-27	22ND8-02	SPLINE NUT							12	

R
R
R
R
R
R

R

R
R
R
R

AA-5 SERIES
ILLUSTRATED PARTS CATALOG

Figure & Index No.	Part Number	Nomenclature							Units Per Assy	Usable On Code
		1	2	3	4	5	6	7		
52- 1	-28	5102270-2	.	SPACER	2	
	-29	5102270-3	.	SPACER	2	
	-30	5102269-501	.	TRACK ASSY (LH)	1	
		5102269-502	.	TRACK ASSY (RH)	1	
				(ATTACHING PARTS)						
	-31	MS20426AD5	.	RIVET	12	
	-32	MS24694S64	.	SCREW	2	
		5102375-4	.	SPACER	2	
		AN960-10	.	WASHER	2	
		MS20364-1032	.	NUT	2	
	-33	CR2249-4-2	.	RIVET	18	

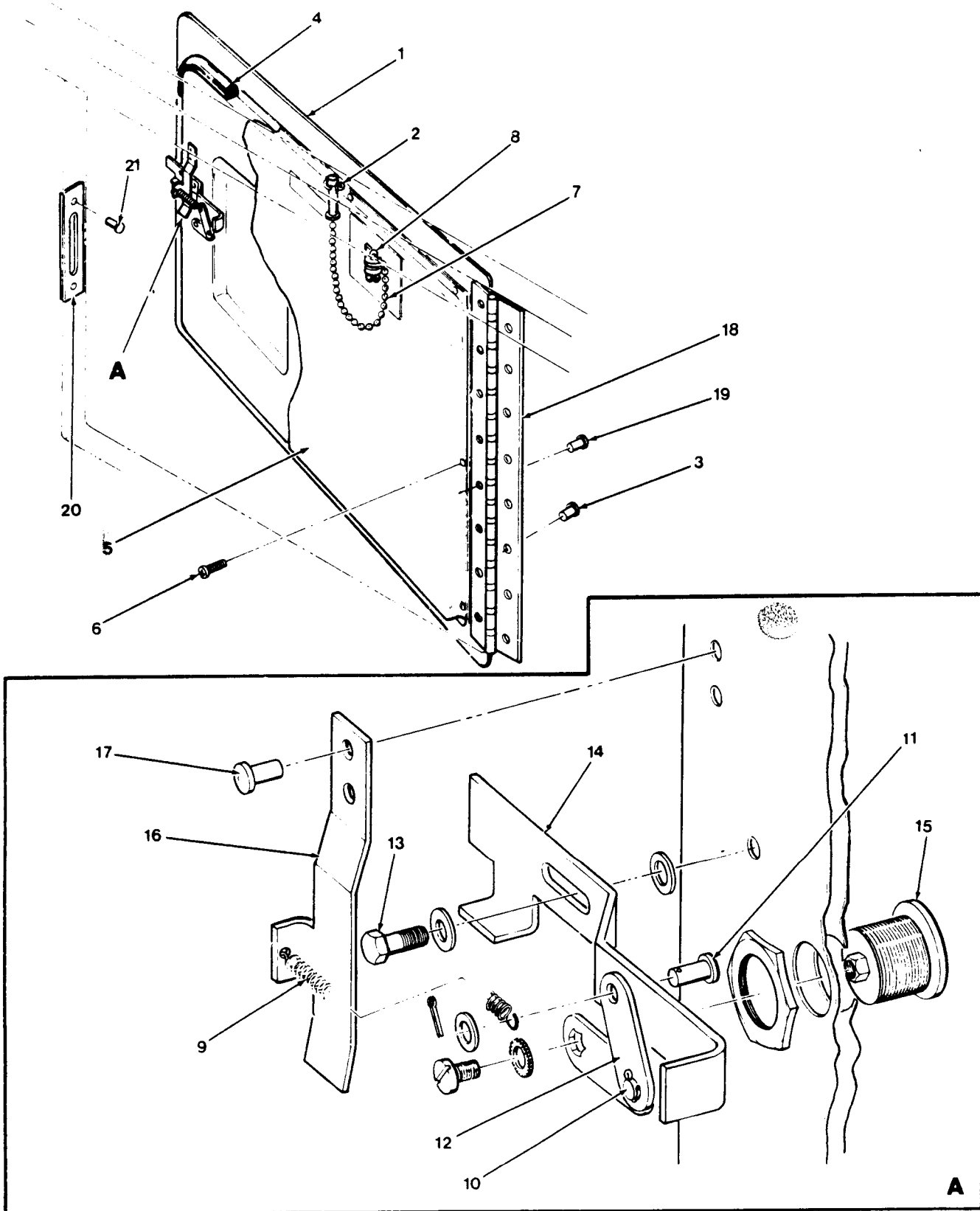
	-34	MS20470AD4	.	RIVET	2	
	-35	5102269-3	.	RUNNER	1	
		5102269-4	.	RUNNER	1	
				(ATTACHING PARTS)						
	-36	52-012-0500	.	ROLL PIN (ESNA)	2	

	-37	5901004-1	.	BUTTON	2	
		3502-14-47-0544	.	SPRING WASHER (V31174)	AR	
	-38	5102300-1	.	SEAL PLATE	1	
	-39	5102300-2	.	SHIM	AR	
	-40	3103-11	.	SEAL (V09144)	1	
				(ATTACHING PARTS FOR INDEX NUMBERS -38 THROUGH -40)						
	-41	AN526-832R8	.	SCREW	16	

	-42	5102275-1	.	BUMPER	2	
				A = AA5A-0523 AND SUBSEQUENT AA5B-0693 AND SUBSEQUENT						

R
R

AA-5 SERIES
ILLUSTRATED PARTS CATALOG



Baggage Door Installation
Figure 52-2

52G54-2-1

AA-5 SERIES
ILLUSTRATED PARTS CATALOG

Figure & Index No.	Part Number	Nomenclature							Units Per Assy	Usable On Code	
		1	2	3	4	5	6	7			
52- 2	-	5102283-501	BAGGAGE DOOR INSTALLATION							NP	
	- 1	5102283-502	DOOR ASSY							1	
			(ATTACHING PARTS)								
	- 2	MS24665-378	COTTER PIN							1	
	- 3	MS20426AD3-4	RIVET							8	

	- 4	GAES411-1-67.50	SEAL							1	
	- 5	5102353-7	BAGGAGE DOOR PANEL							1	A
		5102353-53	BAGGAGE DOOR PANEL							1	B
			(ATTACHING PARTS)								
	- 6	GAES1021A4-6	SCREW							6	

	- 7	5102283-7	CHAIN							1	
			(ATTACHING PARTS)								
	- 8	MS24665-285	COTTER PIN							1	

	- 9	LE026C3	SPRING							1	
	-10	MS20392-109	CLEVIS PIN							1	
		AN960-6	WASHER							3	
		MS24665-132	COTTER PIN							1	
	-11	MS20392-107	CLEVIS PIN							1	
		AN960-6	WASHER							3	
		MS24665-132	COTTER PIN							1	
	-12	5102367-3	LINK							1	
	-13	AN3-4A	BOLT							1	
		AN960-10	WASHER (UNDER HEAD)							1	
		AN960-10L	WASHER (UNDER SLIDE)							1	
	-14	5102367-1	SLIDE							1	
	-15	5901014-1	CAM LOCK							1	
	-16	5102367-2	CLIP							1	
			(ATTACHING PARTS)								
	-17	1601-0512	RIVET (V19738)							2	

	-18	5102283-8	HINGE							1	
			(ATTACHING PARTS)								
	-19	MS20426AD3-3	RIVET							8	

	-20	5102284-1	BOLT PLATE							1	
			(ATTACHING PARTS)								
	-21	MS20470AD3-4	RIVET							2	

			A = AA5A-0283 THRU AA5A-0522 AA5B-0400 THRU AA5B-0692								
			B = AA5A-0523 AND SUBSEQUENT AA5B-0693 AND SUBSEQUENT								