

AA-5 SERIES  
ILLUSTRATED PARTS CATALOG

CHAPTER 37

VACUUM

TABLE OF CONTENTS

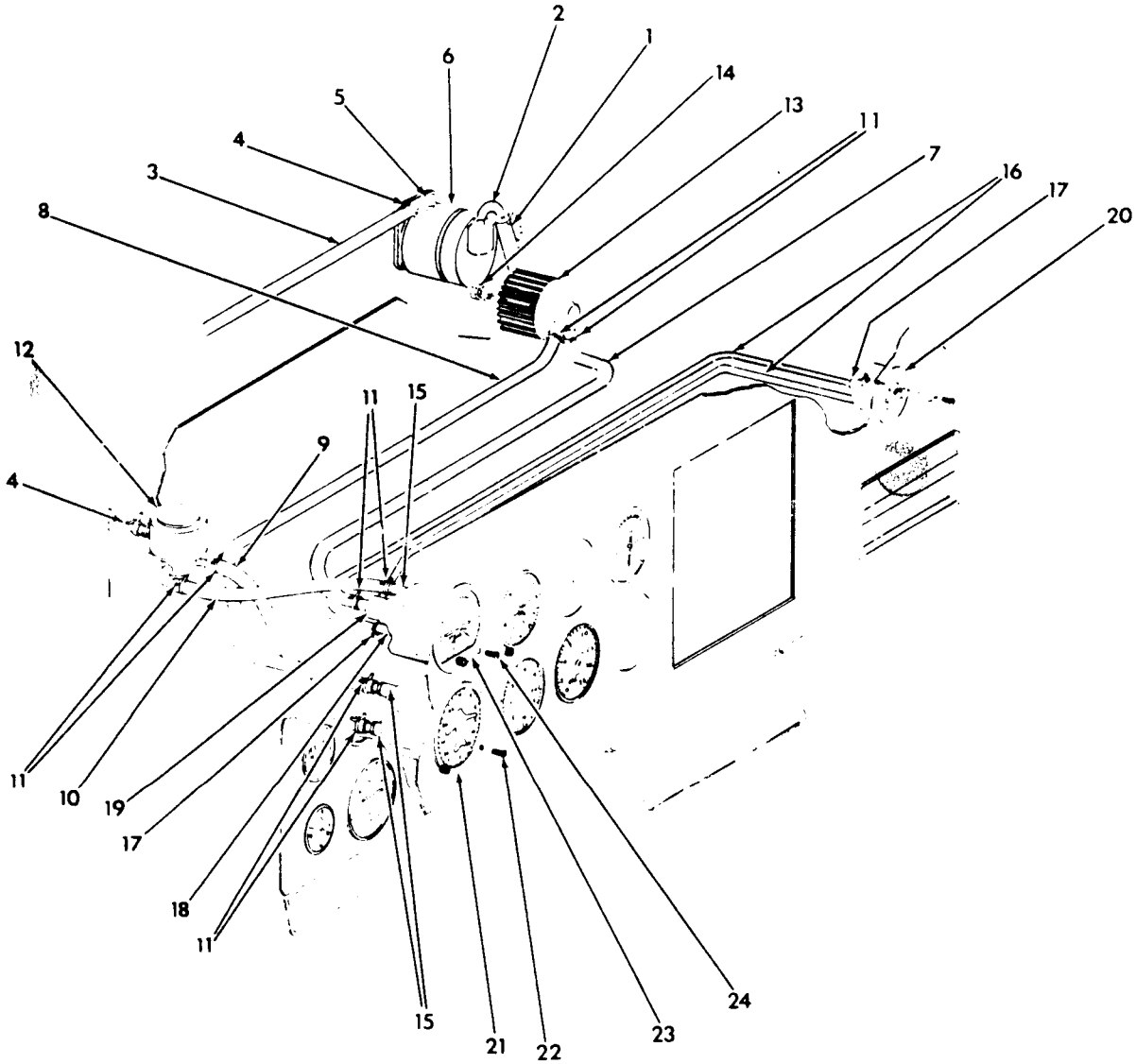
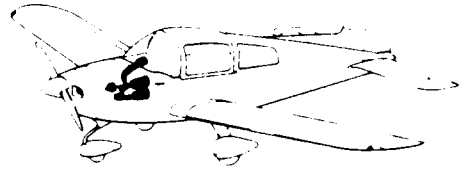
SUBJECT

VACUUM SYSTEM INSTALLATION (OPTIONAL)

FIGURE  
NUMBER

37-1

AA-5 SERIES  
ILLUSTRATED PARTS CATALOG



Vacuum System Installation  
Figure 37-1

37G54-1

AA-5 SERIES  
ILLUSTRATED PARTS CATALOG

Figure & Index No.	Part Number	Nomenclature							Units Per Assv	Usable On Code	
		1	2	3	4	5	6	7			
37- 1	-	5405002-502	VACUUM SYSTEM INSTALLATION (OPTIONAL) . . . . .							AR	
	- 1	5405002-1	HOSE . . . . .							1	
	- 2	1K8-6-8	FITTING (V26433) . . . . .							1	
	- 3	5405002-2	HOSE . . . . .							1	
			(ATTACHING PARTS)								
	- 4	A-14	CLAMP (V05657) . . . . .							2	
			-----								
	- 5	1K1-6-10	FITTING . . . . .							1	
	- 6	211CC	PUMP (V26433) . . . . .							1	
	- 7	5405002-3	HOSE . . . . .							1	
	- 8	5405002-4	HOSE . . . . .							1	
	- 9	5405002-5	HOSE . . . . .							1	
	-10	5405002-6	HOSE . . . . .							1	
			(ATTACHING PARTS FOR INDEX NUMBERS -6 THROUGH -9)								
	-11	A-10	CLAMP (V05657) . . . . .							2	
			-----								
	-12	2H3-12	REGULATOR (V26433) . . . . .							1	
		B3-5-1	FILTER ELEMENT (V26433) . . . . .							1	
	-13	1J7-1	FILTER (V26433) . . . . .							1	
		EBG-03-0003	FILTER (V18265) (ALTERNATE) . . . . .							1	
			(ATTACHING PARTS)								
	-14	AN960-10	WASHER . . . . .							1	
		MS20385-1032	NUT . . . . .							1	
			-----								
		D9-18-1	FILTER ELEMENT (V26433) . . . . .							1	
	-15	1K10-4-6	ADAPTER (V26433) . . . . .							3	
	-16	5405002-8	TUBING . . . . .							2	
			(ATTACHING PARTS)								
	- 17	A-6	CLAMP (V05657) . . . . .							2	
			-----								
	- 18	AN840-4D	ADAPTER . . . . .							1	
	-19	1K31-1	FITTING (V26433) . . . . .							1	
	-20	5801007-1	VACUUM GAGE . . . . .							1	
	-21	J8000-05	DIRECTIONAL GYRO (V80510) . . . . .							1	
		J8000-09	DIRECTIONAL GYRO (V80510) (ALT.) . . . . .							1	
		SP7610-1-AA	DIRECTIONAL GYRO (STANDARD PRECISION) (ALT.) . . . . .							1	
		200-5	DIRECTIONAL GYRO (A.I.M. CORP.) (ALT.) . . . . .							1	
		1U262-001-1	DIRECTIONAL GYRO (V86887) (ALT.) . . . . .							1	
			(ATTACHING PARTS)								
	-22	AN515-B6R8	SCREW . . . . .							3	
			-----								
	-23	K5494-07	HORIZON GYRO (V80510) . . . . .							1	
		102-0011-01	HORIZON GYRO (V80510) (ALT.) . . . . .							1	
		SP7710-1-AA	HORIZON GYRO (STANDARD PRECISION) (ALT.) . . . . .							1	
		300-3CF	HORIZON GYRO (A.I.M. CORP.) (ALT.) . . . . .							1	
		23-501-06	HORIZON GYRO (V86887) (ALT.) . . . . .							1	
			(ATTACHING PARTS)								
	-24	AN515-B6R8	SCREW . . . . .							4	