

AA-5 SERIES
ILLUSTRATED PARTS CATALOG

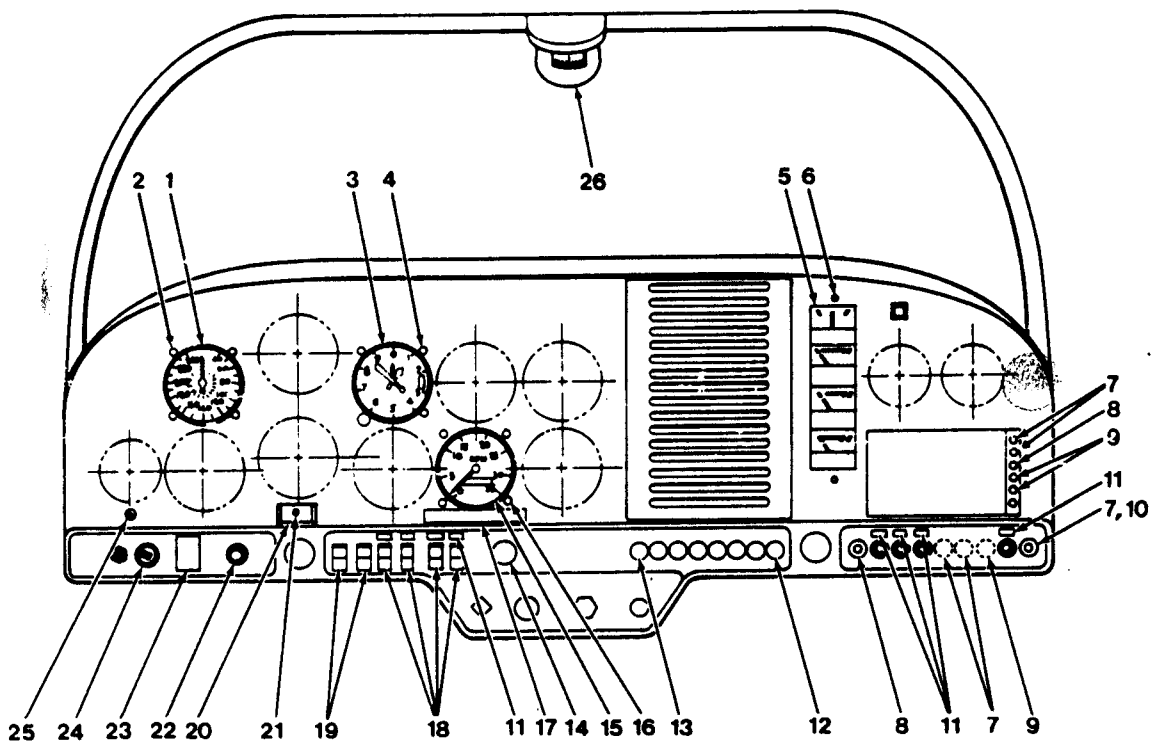
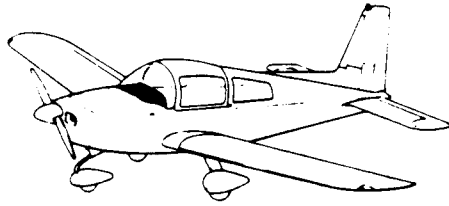
CHAPTER 34

NAVIGATION

TABLE OF CONTENTS

<u>SUBJECT</u>	<u>FIGURE NUMBER</u>
INSTRUMENT INSTALLATION (STANDARD)	34-1
INSTRUMENT INSTALLATION (OPTIONAL)	34-2
AIRSPED SYSTEM INSTALLATION	34-3
VERTICAL SPEED INDICATOR INSTALLATION (OPTIONAL)	34-4
INSTRUMENT PANEL INSTALLATION	34-5

AA-5 SERIES
ILLUSTRATED PARTS CATALOG



34G54-1

Instrument Installation (Standard)
Figure 34-1

AA-5 SERIES
ILLUSTRATED PARTS CATALOG

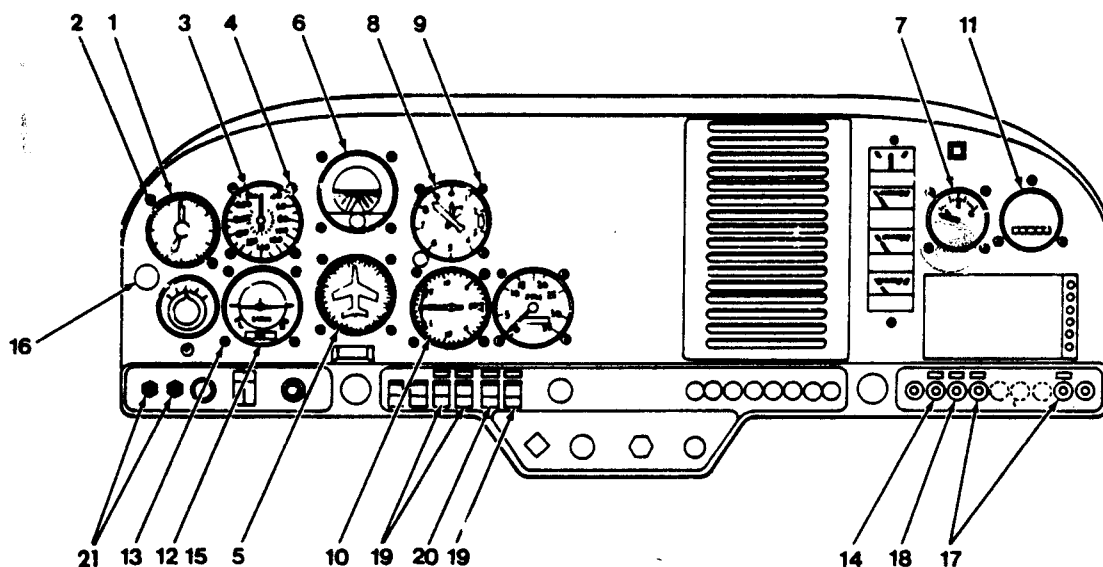
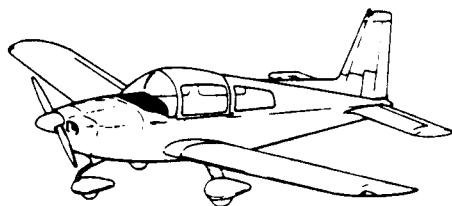
Figure & Index No.	Part Number	Nomenclature							Units Per Assy	Usable On Code
		1	2	3	4	5	6	7		
34- 1	5102346-508	INSTRUMENT INSTALLATION (STANDARD)							NP	A
	5102346-509	INSTRUMENT INSTALLATION (STANDARD)							NP	B
- 1	801016-2	AIRSPEED INDICATOR							1	A
	901016-3	AIRSPEED INDICATOR (ATTACHING PARTS)							1	B
- 2	MS35214-29	SCREW							4	
	A8944-632-24J	SPEED NUT							4	
- 3	700-223	ALTIMETER (V07580)							1	
	1U171-002	ALTIMETER (V86887)(ALTERNATE FOR 700-223) (ATTACHING PARTS)							1	
- 4	MS35214-31	SCREW							3	
	A8944-632-24J	SPEED NUT							3	
- 5	5801010-501	CLUSTER ASSY (SEE FIGURE 77-2 FOR DETAIL BREAKDOWN) (ATTACHING PARTS)							1	
- 6	GAES1021Z8-8B	SCREW							2	
- 7	AGC5	FUSE (V71400)							6	
- 8	AGC10	FUSE (V71400)							2	
- 9	AGC15	FUSE (V71400)							3	
-10	HKP	FUSE HOLDER (V71400)							9	
-11	5803007-91	PLACARD - NCT USED							AR	*
-12	1848-001-60	CIRCUIT BREAKER (V05231)							1	
-13	MP1600T-5	CIRCUIT BREAKER (V05231)							1	
-14	R50-30	RHEOSTAT (MEMCOR) (SEE FIGURE 33-2 FOR INSTALLATION)							1	
-15	801012-2	TACHOMETER							1	A
	801012-4	TACHOMETER (ATTACHING PARTS)							1	B
-16	MS35214-24	SCREW							4	
-17	5803007-93	PLACARD - ENGINE RPM CAUTION							1	*
-18	L.T. DUMMY	DUMMY SWITCH (SORENSEN CONTROLS)							AR	B
-19	TA201-TB-W	SWITCH (V73559)							2	
-20	C23-808	COMPASS CARD							1	
	C23-806	WINDOW							1	
	C23-805	CARD HOLDER (ATTACHING PARTS)							1	
-21	GAES1021Z4-6	SCREW							1	
-22	9279	STARTER SWITCH (V13445)							1	
-23	T1GL51-2C-RD-DI-FN	MASTER SWITCH (V73559)							1	
-24	357290-1	MAGNETO SWITCH							1	
-25	MS24693-S275	SCREW							1	
	MS20364-1032	NUT							1	
	AN860-10L	WASHER							1	
	MS35650-302	NUT							1	
	AN836B10	WASHER							1	
-26	C2350L4M23	COMPASS (V70214) (ORDER WITH MINIMUM 44 INCH WIRE LENGTH) (SEE FIGURE 56-1 FOR NHA)							REF	
	GE-330	LAMP							1	

A = AA5A-0283 AND SUBSEQUENT

B = AA5B-0400 AND SUBSEQUENT

* = REFER TO CHAPTER 11 FOR PLACARDS

AA-5 SERIES
ILLUSTRATED PARTS CATALOG



34G54-2

Instrument Installation (Optional)
Figure 34-2

34
Page 4
Dec 15/77

AA-5 SERIES
ILLUSTRATED PARTS CATALOG

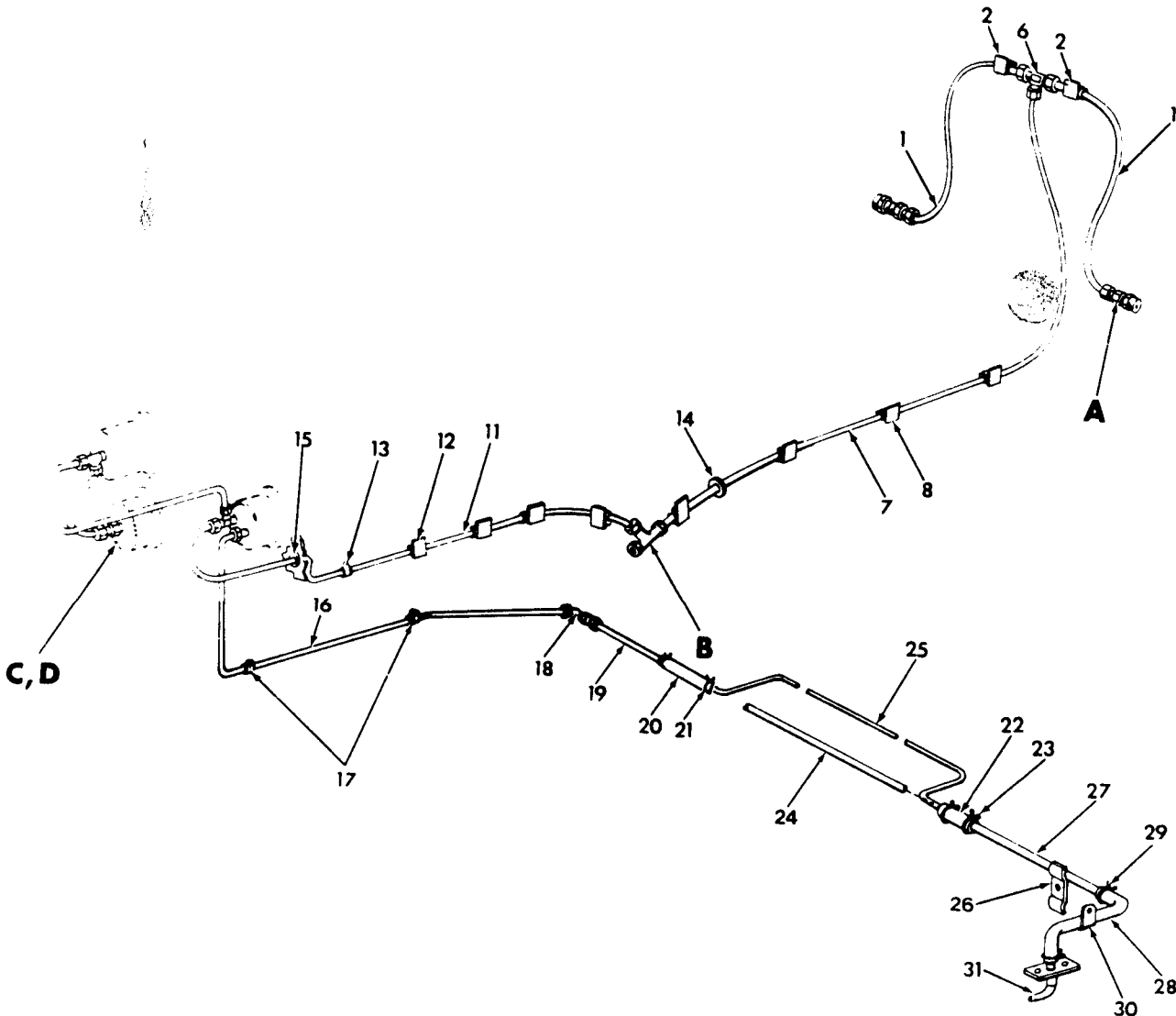
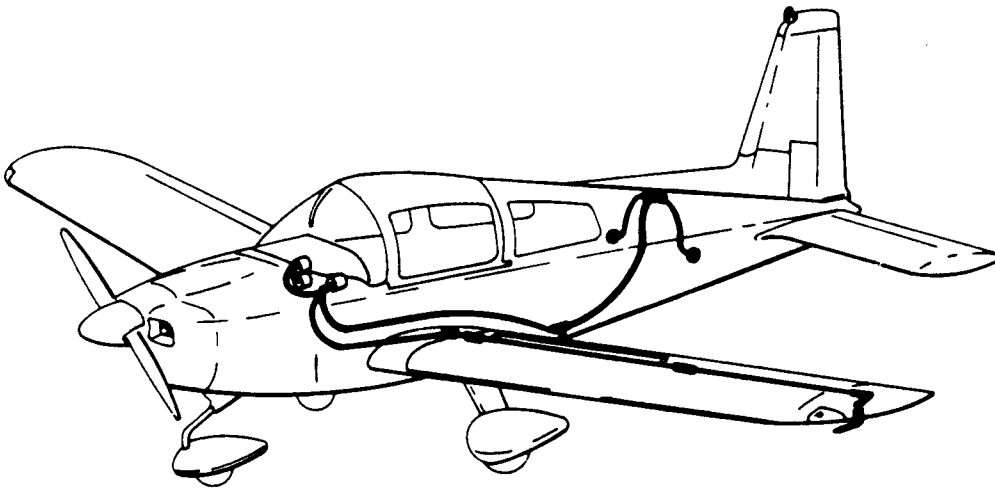
Figure & Index No.	Part Number	Nomenclature							Units Per Asy	Usable On Code	
		1	2	3	4	5	6	7			
34- 2	-	NO NUMBER	INSTRUMENT INSTALLATION (OPTIONAL)							AR	A B
		CA7212	CLOCK							1	
- 1			(ATTACHING PARTS)							2	
- 2		AN515B6R12	SCREW							1	
- 3		5804056-1	AIRSPEED INDICATOR							1	
		5804056-3	AIRSPEED INDICATOR							1	
			(ATTACHING PARTS)							4	
- 4		MS35214-29	SCREW							4	
		A8944-632-24J	SPEED NUT							4	
- 5		J8000-05	DIRECTIONAL GYRO (V80510) (SEE FIGURE							REF	
			37-1 FOR NHA)							REF	
		J8000-09	DIRECTIONAL GYRO (V80510) (ALTERNATE PART							REF	
			FOR J8000-05)							REF	
		SP7610-1-AA	DIRECTIONAL GYRO (STANDARD PRECISION)							REF	
			(ALTERNATE PART FOR J8000-05)							REF	
		200-5	DIRECTIONAL GYRO (A.I.M. CORP.) (ALTERNATE							REF	
			PART FOR J8000-05)							REF	
		1U262-001-1	DIRECTIONAL GYRO (V86887) (ALTERNATE PART							REF	
			FOR J8000-05)							REF	
- 6		K5494-07	HORIZON GYRO (V80510) (SEE FIGURE 37-1							REF	
			FOR NHA)							REF	
		102-0011-01	HORIZON GYRO (V80501) (ALT.)							REF	
		SP7710-1-AA	HORIZON GYRO (STANDARD PRECISION) (ALT.)							REF	
		300-3CF	HORIZON GYRO (A.I.M. CORP.) (ALT.)							REF	
		23-501-08	HORIZON GYRO (V85887) (ALT.)							REF	
- 7		5801007-1	VACUUM GAGE (SEE FIGURE 37-1 FOR NHA)							1	
- 8		5934M-1	SENSITIVE ALTIMETER (V16455)							REF	
		5934-1	SENSITIVE ALTIMETER (V15455) (ALT.)							REF	
		12003	SENSITIVE ALTIMETER (V11824) (ALT.)							REF	
		8040B-15K	ENCODING ALTIMETER (V86887) (OPT)							REF	
		5035P2-P25	ENCODING ALTIMETER (V16455) (OPT)							REF	
			(ATTACHING PARTS)							3	
- 9		MS35214-31	SCREW							3	
		A8944-632-24J	SPEED NUT							3	
-10		SP1403-1-AA	VERTICAL SPEED INDICATOR (STANDARD PRECISION							REF	
			INC.) (SEE FIGURE 34-4 FOR NHA)							REF	
		7000	VERTICAL SPEED INDICATOR (V16455) (ALT.)							REF	
			(SEE FIGURE 34-4 FOR NHA)							REF	
-11		M-5600	HOURMETER (V74400) (SEE FIGURE 77-1 FOR NHA)							REF	
		771	HOURMETER (V06096) (ALT.) (SEE FIGURE 77-1							REF	
			FOR NHA)							1	
-12		12W2A2S	TURN AND BANK INDICATOR (V80510)							1	
		4245-8	TURN COORDINATOR (V06987)							1	
			(ATTACHING PARTS)							4	
-13		MS35214-29	SCREW							4	
		A8944-632-24J	SPEED NUT							4	
-14		AGC2	FUSE (V71400) (USE WITH 12W2A2S)							1	
		AGC5	FUSE (V71400) (USE WITH 4245-8)							1	
-15		MS3106A-10SL-3S	PLUG (USE WITH 4245-8)							1	
-16		A-1390	ALTERNATE STATIC AIR VALVE (V31720) (SEE							REF	
			FIGURE 34-3 FOR NHA)							REF	
-17		AGC15	FUSE (V71400) (SEE FIGURE 33-1 FOR NHA)							REF	
-18		AGC10	FUSE (V71400) (SEE FIGURE 33-1 FOR NHA)							REF	
-19		TA201-TB-W	SWITCH (V73559) (SEE FIGURE 33-1 FOR NHA)							REF	
-20		26-000-100	SWITCH (V10389) (SEE FIGURE 33-1 FOR NHA)							REF	
-21		901062-1	MICROPHONE JACK							AR	

A = AA5A-0283 AND SUBSEQUENT

B = AA5B-0400 AND SUBSEQUENT

R

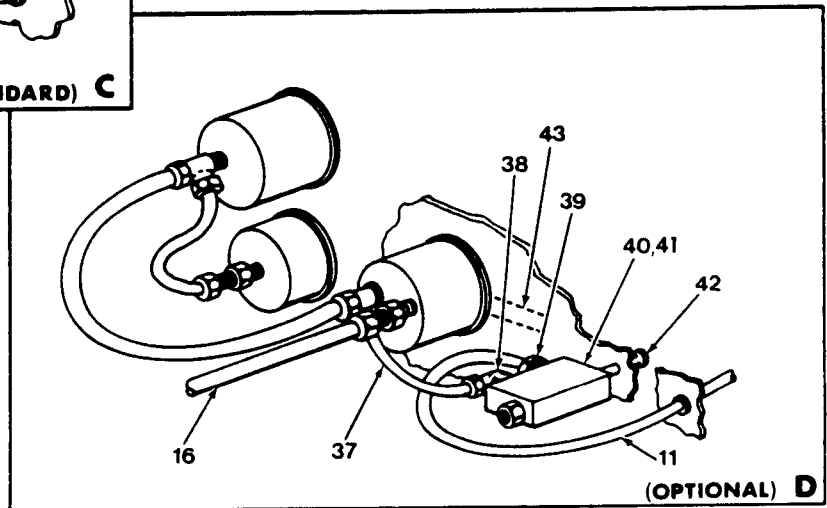
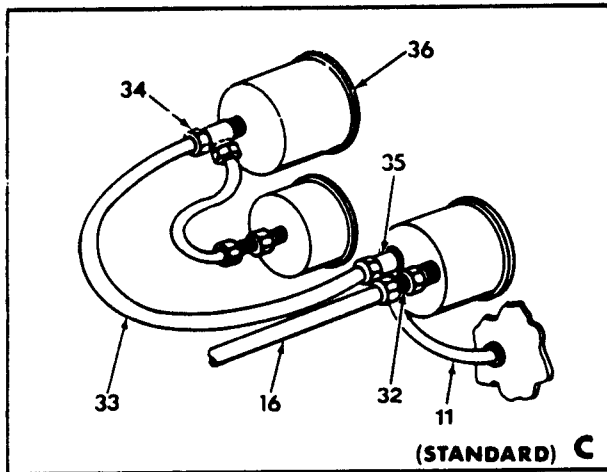
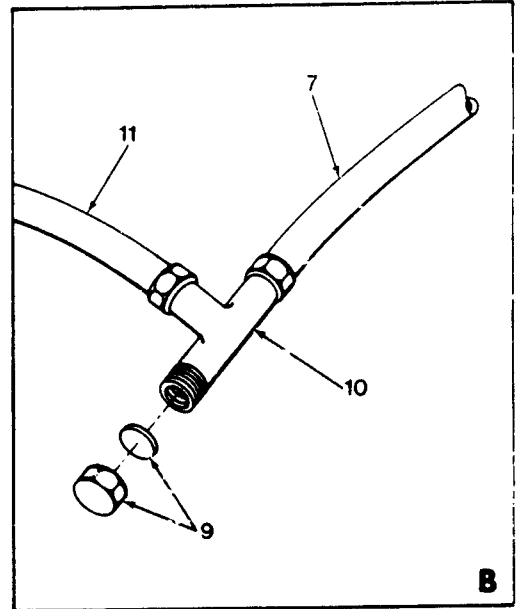
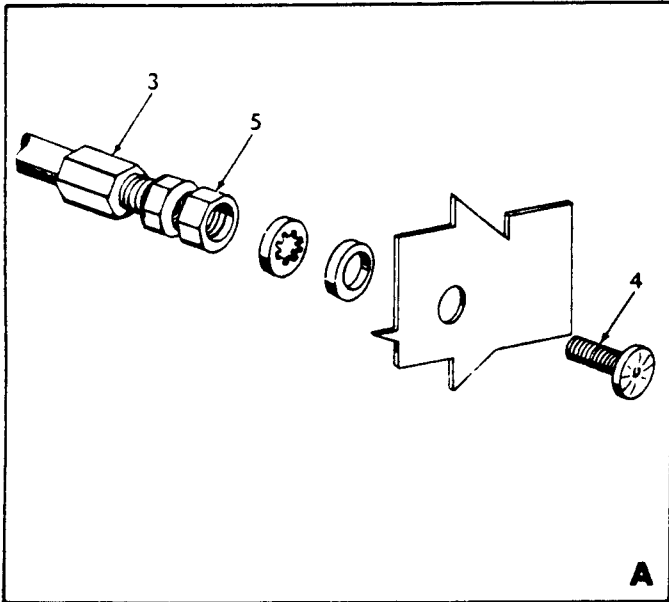
AA-5 SERIES
ILLUSTRATED PARTS CATALOG



Airspeed System Installation (Sheet 1 of 2)
Figure 34-3

34G54-3 1

AA-5 SERIES
ILLUSTRATED PARTS CATALOG



Airspeed Installation (Sheet 2 of 2)
Figure 34-3

34G54-3-2

AA-5 SERIES
ILLUSTRATED PARTS CATALOG

Figure & Index No.	Part Number	Nomenclature							Units Per Assy	Usable On Code	
		1	2	3	4	5	6	7			
34- 3 - 1 - 2 - 3 - 4 - 5 - 6 - 7 - 8 - 9 -10 -11 -12 -13 -14 -15 -16 -17 -18 -19 -20 -21 -22 -23 -24 -25 -26	5404011-502	AIRSPEED SYSTEM INSTALLATION							NP	A B A	
	5404011-503	AIRSPEED SYSTEM INSTALLATION							NP		
	5404011-503	AIRSPEED SYSTEM INSTALLATION (OPTIONAL)							AR		
	404011-8	TUBE							2		
			(ATTACHING PARTS)								
	DK-250	CLAMP (V34785)							1		
	1601-0410	RIVET (V19738)							1		

	GAES1303-1	CONNECTOR							2		
	404009-1	STATIC BUTTON							2		
			(ATTACHING PARTS)								
	AN924-5D	NUT							1		
	AN936A818	WASHER							1		
	AN960-818	WASHER							1		

	GAES1304-1	TEE							1		
	5404011-5	TUBE							1		
			(ATTACHING PARTS)								
	DK-250	CLAMP (V34785)							5		

	1604-151	CAP (97945)							1		
	404011-12	SEAL							1		
	GAES1302-1	TEE							1		
	5404011-2	TUBE							1		
			(ATTACHING PARTS)								
	DK-250	CLAMP (V34785)							4		
MS21919DG4	CLAMP							1			
AN526-832R8	SCREW							1			
A8-75	RIVNUT (V03481)							1			

SB-500-3	BUSHING (V28520)							1			
MS35489-6	GROMMET							1			
5404011-1	TUBE							1			
AN818-4D	NUT							2			
MS20819-4D	SLEEVE							2			
		(ATTACHING PARTS)									
MS21919DG4	CLAMP							2			
AN526-832R8	SCREW							2			
A8-75	RIVNUT (V03481)							2			

AN833-4D	ELBOW							1			
AN960-716	WASHER							2			
AN924-4D	NUT							1			
404011-1	TUBE							1			
AN818-4D	NUT							1			
MS20819-4D	SLEEVE							1			
5404011-4	TUBE							1			
		(ATTACHING PARTS)									
A-6	CLAMP (V05657)							2			

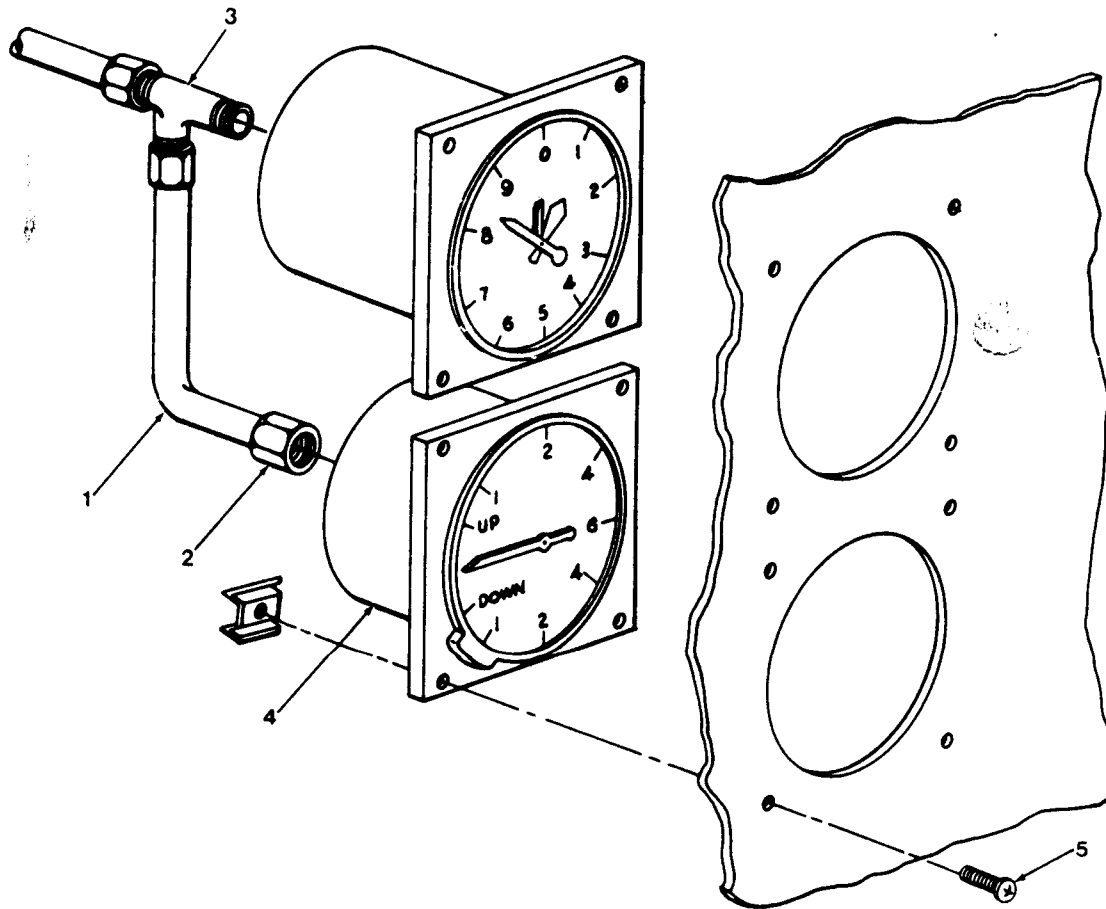
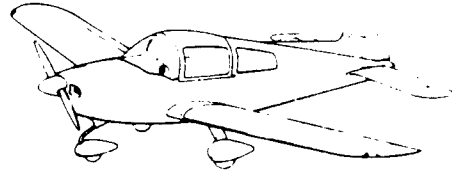
5200003-6	TUBE							1			
		(ATTACHING PARTS)									
A-6	CLAMP (V05657)							2			

5200003-2	TUBE							1	A B A		
5404011-8	TUBE							1			
5404011-8	TUBE (OPTIONAL)							1			
		(ATTACHING PARTS)									
5404011-9	CLAMP							3			
1601-0410	RIVET (V19738)							3			

AA-5 SERIES
ILLUSTRATED PARTS CATALOG

Figure & Index No.	Part Number	Nomenclature							Units Per Assy	Usable On Code
		1	2	3	4	5	6	7		
34- 3	-27	5200003-5	.	TUBE	1	A
	-28	5200003-3 5804007-1	.	TUBE TUBE (OPTIONAL)	1 1	
				(ATTACHING PARTS)						
	-29	A-6	.	CLAMP	2	
	-30	MS21919DG6 AN526-1032R6 AN960-10L MS20364-1032	.	CLAMP SCREW WASHER NUT	2 2 2 2	
	-31	404010-501 5804007-501	.	PITOT TUBE ASSY (SEE FIGURE 57-1 FOR NHA) HEATED PITOT TUBE INSTALLATION (OPTIONAL) (SEE FIGURE 30-4 FOR BREAKDOWN)	REF AR	
	-22	AN816-4D	.	NIPPLE	1	
	-33	404011-5	.	TUBE	1	
	-34	GAES1303-1	.	CONNECTOR	1	
	-35	GAES1302-1	.	TEE	1	
	-36	804004-501	.	VERTICAL SPEED INDICATOR INSTALLATION (SEE FIGURE 34-4 FOR BREAKDOWN)	REF	
		5804031-501	.	ALTERNATE STATIC AIR INSTALLATION (OPTIONAL)	AR	
	-37	5804031-1	.	LINE	1	
	-38	40-4-2-N-0	.	ELBOW (V98427)	1	
	-39	GAES1303-1	.	CONNECTOR	1	
	-40	A-1390	.	VALVE (V31720)	1	
			.	(ATTACHING PARTS)						
	-4*	MS35215-55	.	SCREW	2	
	-42	5803007-101	.	PLACARD - ALT STATIC AIR	1	
	-43	5803007-95	.	PLACARD - ALT STATIC AIR	1	
<p>A = AA5A-0283 AND SUBSEQUENT B = AA5B-0400 AND SUBSEQUENT * = REFER TO CHAPTER 11 FOR PLACARDS</p>										

AA-5 SERIES
ILLUSTRATED PARTS CATALOG



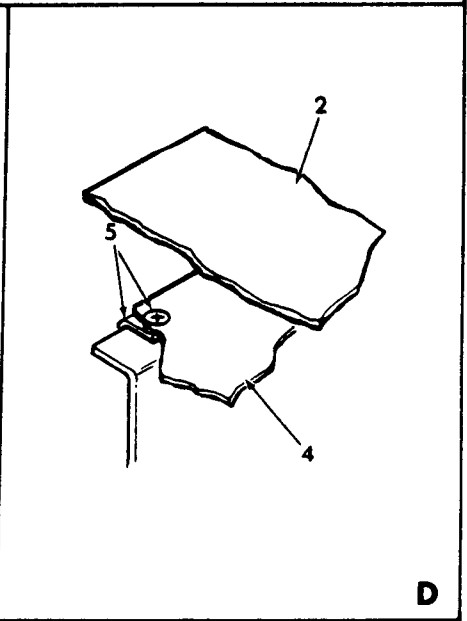
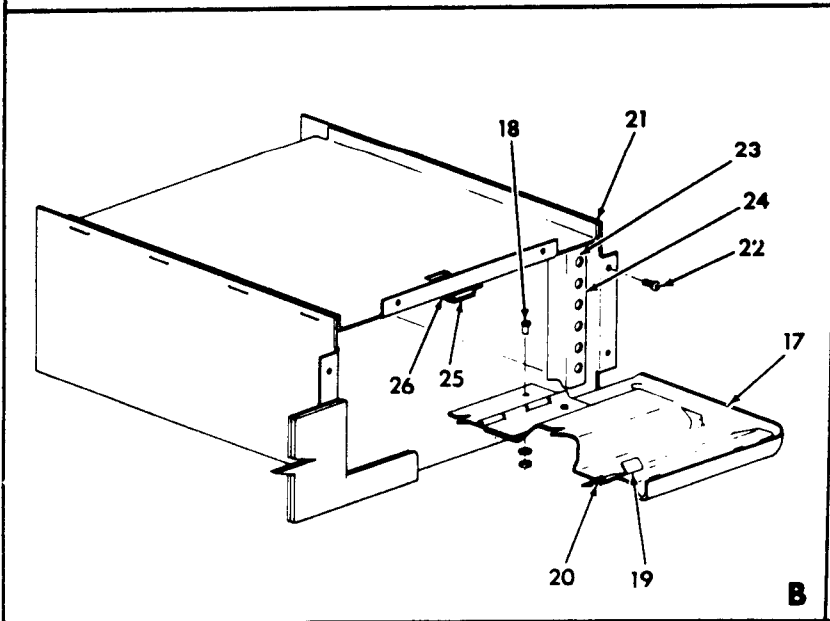
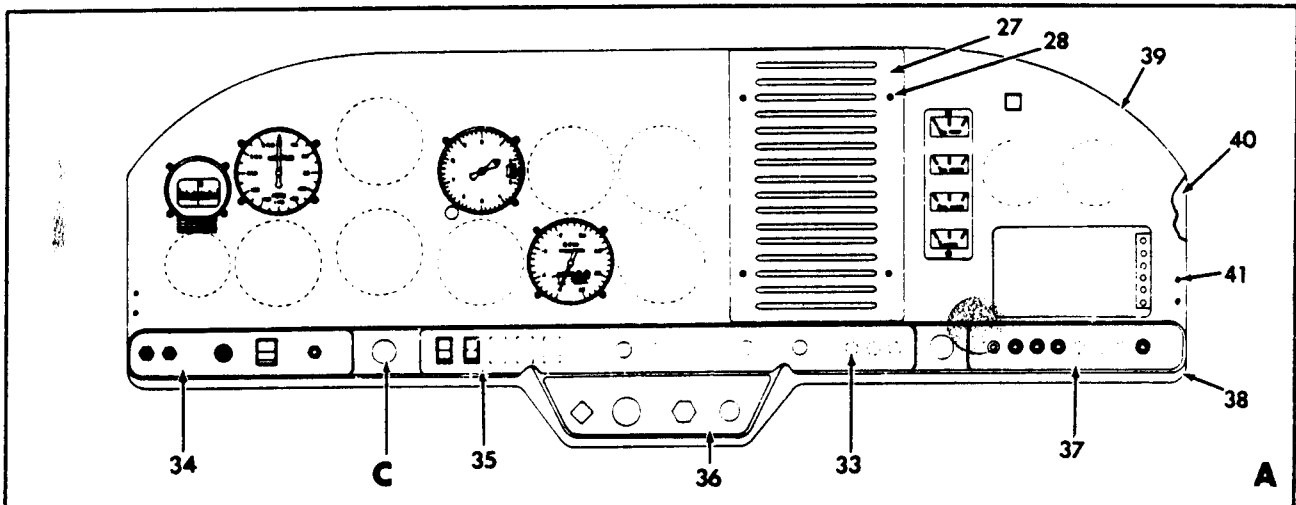
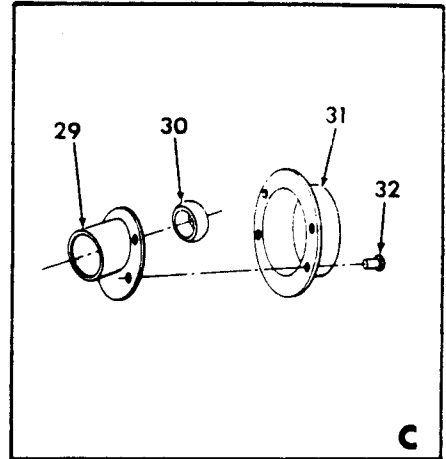
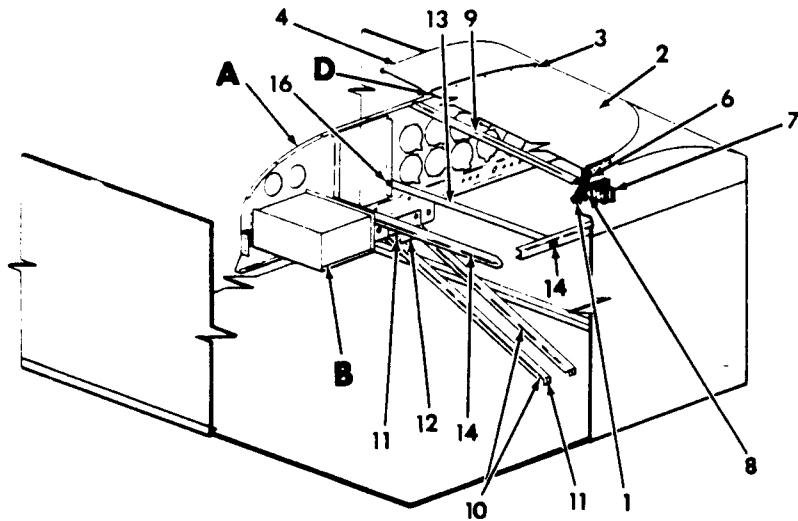
34G54-4

Vertical Speed Indicator Installation (Optional)
Figure 34-4

AA-5 SERIES
ILLUSTRATED PARTS CATALOG

Figure & Index No.	Part Number	Nomenclature							Units Per Assy	Usable On Code
		1	2	3	4	5	6	7		
34- 4 - 1 - 2 - 3 - 4 - 5	804004-501	VERTICAL SPEED INDICATOR INSTALLATION (OPTIONAL)							AR	
	804004-1	TUBING							1	
	268-N	CONNECTOR (V13174)							1	
	271-N	TEE (V13174)							1	
	SP1403-1-AA	VERTICAL SPEED INDICATOR (STANDARD PRECISION)							1	
	7000	VERTICAL SPEED INDICATOR (V16455) (ALT.)							1	
		(ATTACHING PARTS)								
		SCREW							3	
		NUT (V78533)							3	
		AN515B6R12								
	A8944-632-24J									

AA-5 SERIES
ILLUSTRATED PARTS CATALOG



Instrument Panel Installation
Figure 34-5

34G-54-5

AA-5 SERIES
ILLUSTRATED PARTS CATALOG

Figure & Index No.	Part Number	Nomenclature							Units Per Assy	Usable On Code
		1	2	3	4	5	6	7		
34-5	5102314-502	INSTRUMENT PANEL INSTALLATION							NP	A
	5102314-503	INSTRUMENT PANEL INSTALLATION							NP	B
-1	4303-4	SEAL (V09144)							AR	
-2	5102381-501	DECK ASSY							1	
		(ATTACHING PARTS)								
-3	MS24693-8B29	SCREW							7	
	A3236-012-4	WASHER (V78533)							7	
	RM52LHA4972-5-62	NUT CLIP (ESNA DIVISION)							6	
	A6K120	RIVNUT (V03481)							1	
-4	5102338-501	GLARESHIELD ASSY (SEE FIGURE 33-2 FOR BREAKDOWN)							1	
		(ATTACHING PARTS)								
-5	MS24693-8B29	SCREW							4	B
	RM52LHA4972-5-62	NUT CLIPS							4	B
-6	Y9132B	TAPE, VINYL FOAM (V26068)							AR	
-7	5101036-1	BRACKET							2	
		(ATTACHING PARTS)								
-8	MS35207-261	SCREW							2	
	AN960-10L	WASHER							2	
	MS20364-1032	NUT							2	
-9	102341-2	PANEL BRACE							1	
-10	102351-1	SUPPORT BRACKET							2	
		(ATTACHING PARTS)								
-11	1601-0410	RIVET (V19738)							4	
-12	102352-1	HANGER BRACKET							1	
-13	102342-1	ANGLE							1	
-14	102342-2	ANGLE							1	
		(ATTACHING PARTS FOR INDEX NUMBERS -13 AND -14)								
-15	MS35207-261	SCREW							1	
	AN960-10L	WASHER							1	
	MS20364-1032	NUT							1	
-16	MS24693-S49	SCREW							1	
	AN960-8	WASHER							1	
	MS20364-832	NUT							1	
-17	102360-502	DOOR ASSY (OBSOLETE - REORDER 102360-503 OR 102360-504 - SEE NOTE)							1	C
	102360-503	DOOR ASSY							1	C
	102360-504	DOOR ASSY							1	BD
		(ATTACHING PARTS)								R
-18	GAES1021Z6-6B	SCREW							2	
	A1181-6Z-1	NUT (V78533)							2	
-19	102360-6	LATCH (OBSOLETE - ORDER 102360-9 - SEE NOTE)							1	C
	102360-9	LATCH							1	E
		(ATTACHING PARTS)								
-20	MS20470AD3-3	RIVET							2	
-21	102318-501	BOX ASSY							1	C
	102318-502	BOX ASSY							1	E
		(ATTACHING PARTS)								
-22	GAES1021A4-6	SCREW							8	
	A1776-4Z-1	NUT (V78533)							8	

AA-5 SERIES
ILLUSTRATED PARTS CATALOG

Figure & Index No.	Part Number	Nomenclature	1 2 3 4 5 6 7							Units Per Assy	Usable On Code
			1	2	3	4	5	6	7		
34- 5 -23	402011-501	HOLDER ASSY (ATTACHING PARTS)								i	
-24	Y9122	TAPE (V26066)								AR	
-25	144	CLIP, MAGNETIC (DAVID ALLISON CO., INC.) (USE ON 102318-502) (ATTACHING PARTS)								1	E
-26	GAES1021Z6-6B A1181-6Z-1	SCREW NUT								2 2	E E
-27	102329-2 102329-3	CLOSURE CLOSURE (ATTACHING PARTS)								1 1	A B
-28	GAES1021Z6-6B NAS395-2-3 5102314-2 1601-0410	SCREW NUT BRACKET RIVET (V19738)								4 4 AR AR	
-29	602118-1	SLEEVE (LEFT SIDE ONLY)								1	
-30	602117-501	BEARING ASSY								2	
-31	602116-1	CUP								2	
-32	MS20470AD4-5	(ATTACHING PARTS FOR INDEX NUMBERS -29 THROUGH -31) RIVET								4	
-33	SS51338-P5001 5102315-503	HOLE PLUG BASE PANEL COVER ASSY								AR 1	
-34	5803007-97	PLACARD								1	
-35	5803007-89	PLACARD								1	
-36	5803007-92	PLACARD								1	
-37	5803007-90	PLACARD								1	
-38	5102315-3	BASE PANEL								1	
-39	102340-3 102340-5	COVER COVER								1 1	A B
-40	102312-4	INSTRUMENT PANEL (ATTACHING PARTS)								1	
-41	NAS220-8	SCREW								4	

* = REFER TO CHAPTER 11 FOR PLACARDS

A = AA5A-0283 AND SUBSEQUENT
AA5B-0400 THRU AA5B-0692

B = AA5B-0693 AND SUBSEQUENT

C = AA5A-0283 THRU AA5A-0522
AA5B-0400 THRU AA5B-0692

D = AA5A-0523 AND SUBSEQUENT

E = AA5A-0523 AND SUBSEQUENT
AA5B-0693 AND SUBSEQUENT

NOTE: WHEN ORDERING DOOR ASSEMBLY OR LATCH
FOR 1977 MODEL ALSO ORDER MAGNETIC
CATCH - P/N 144, SCREWS (2) - P/N
GAES1021Z-6B, AND NUTS (2) -
P/N A1181-6Z-1.

Provided by the AYA - www.aya.org as a service to its members.
For the latest version or printed copies of this manual contact Fletcher Aviation on (800) 329 4647