

AA-5 SERIES  
ILLUSTRATED PARTS CATALOG

CHAPTER 33

LIGHTS

TABLE OF CONTENTS

SUBJECT

FIGURE  
NUMBER

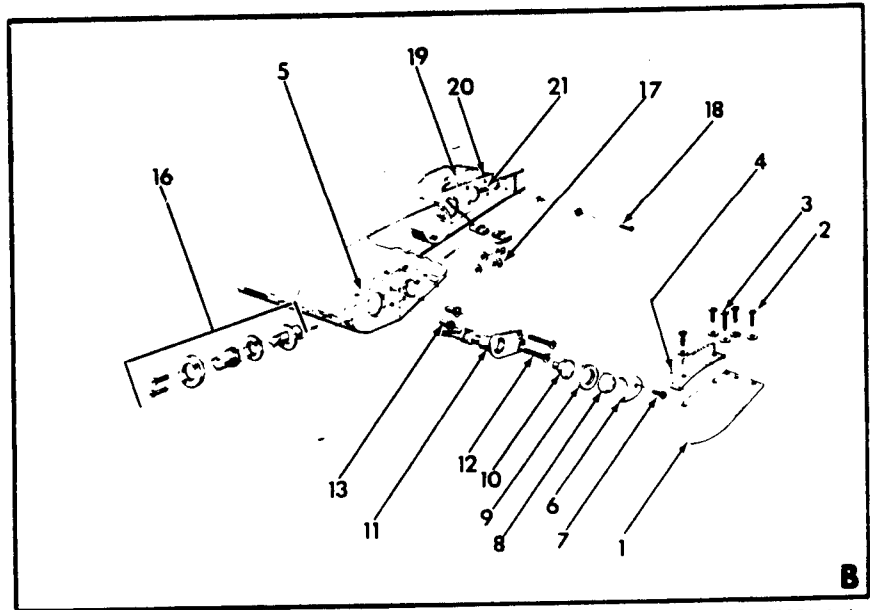
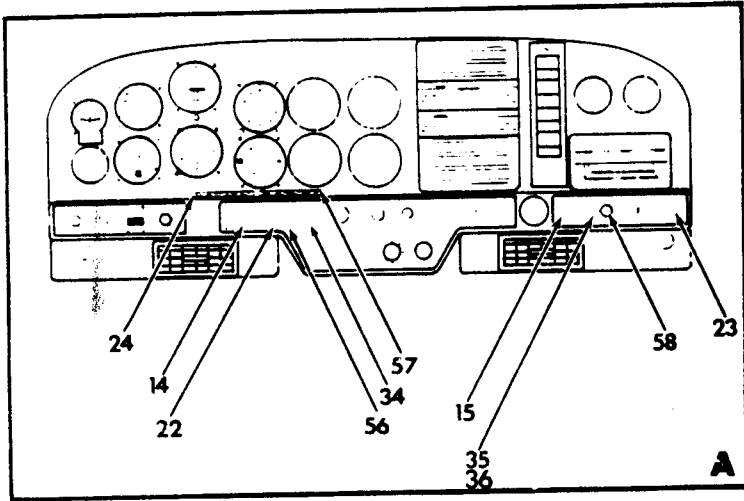
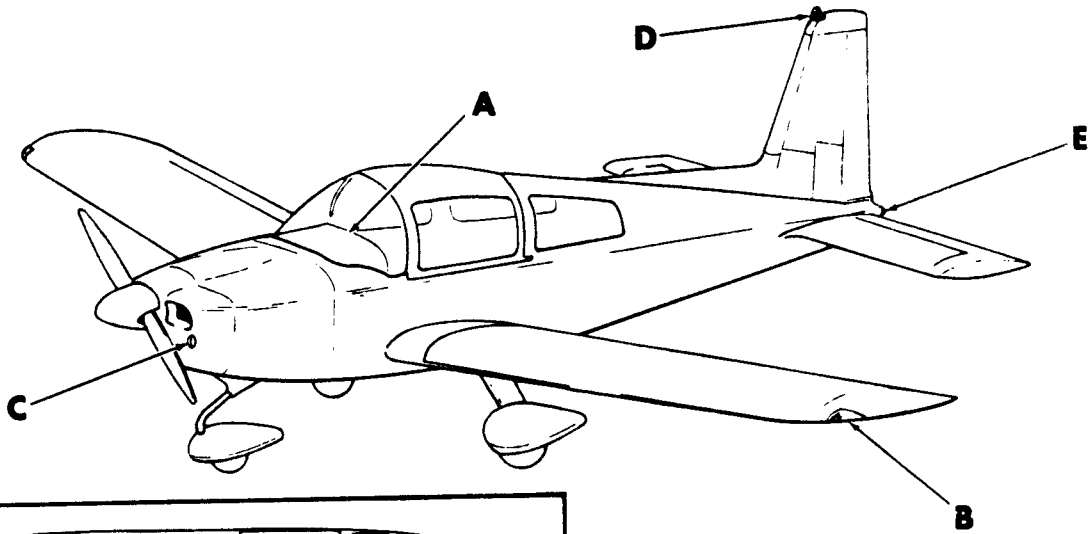
EXTERIOR LIGHT INSTALLATIONS

33 -1

INTERIOR LIGHT INSTALLATIONS

33-2

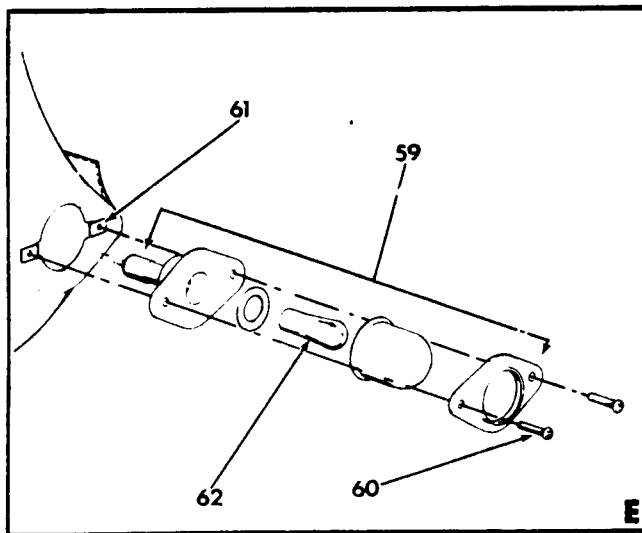
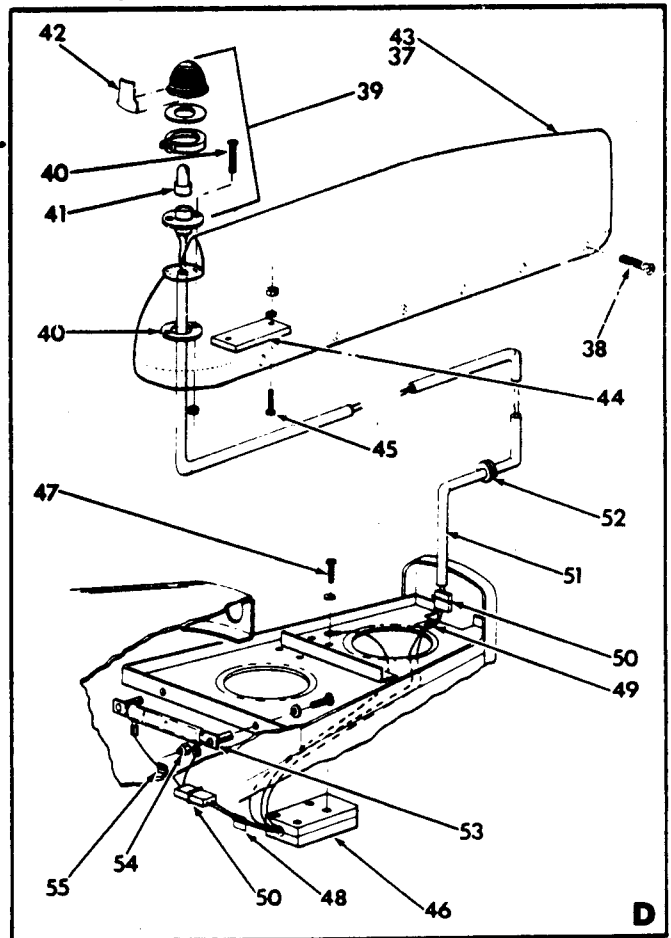
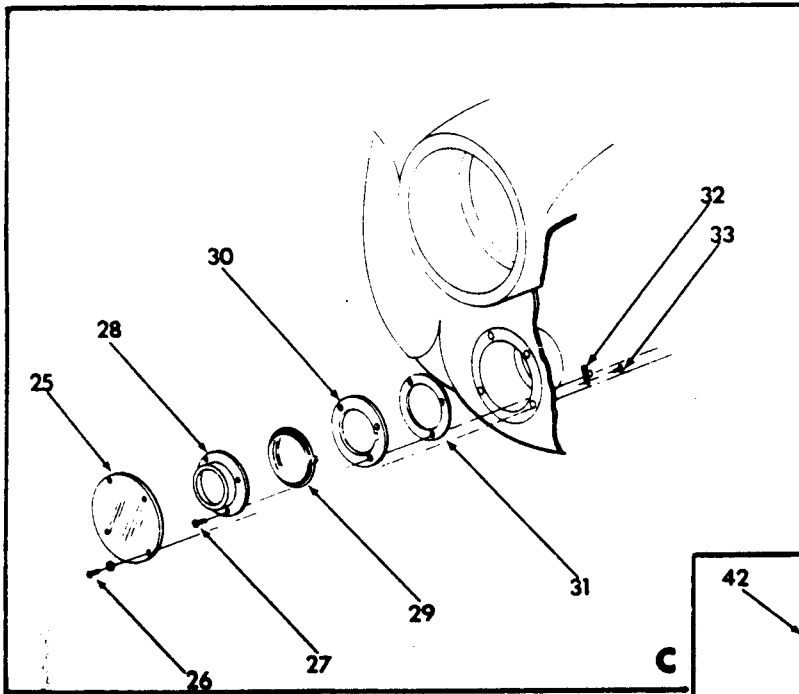
AA-5 SERIES  
ILLUSTRATED PARTS CATALOG



33G54-1-1

Exterior Light Installations  
Figure 33-1 (Sheet 1 of 2)

AA-5 SERIES  
ILLUSTRATED PARTS CATALOG



Exterior Light Installations  
Figure 33-1 (Sheet 2 of 2)

33G54-1-2

AA-5 SERIES  
ILLUSTRATED PARTS CATALOG

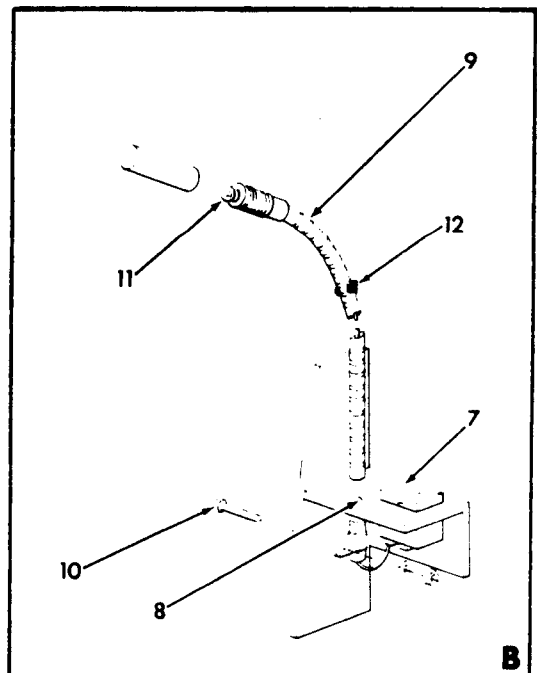
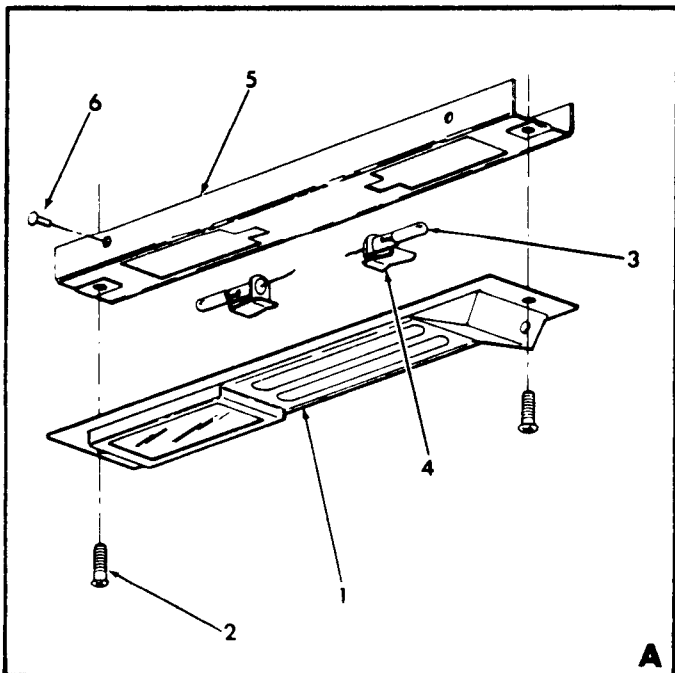
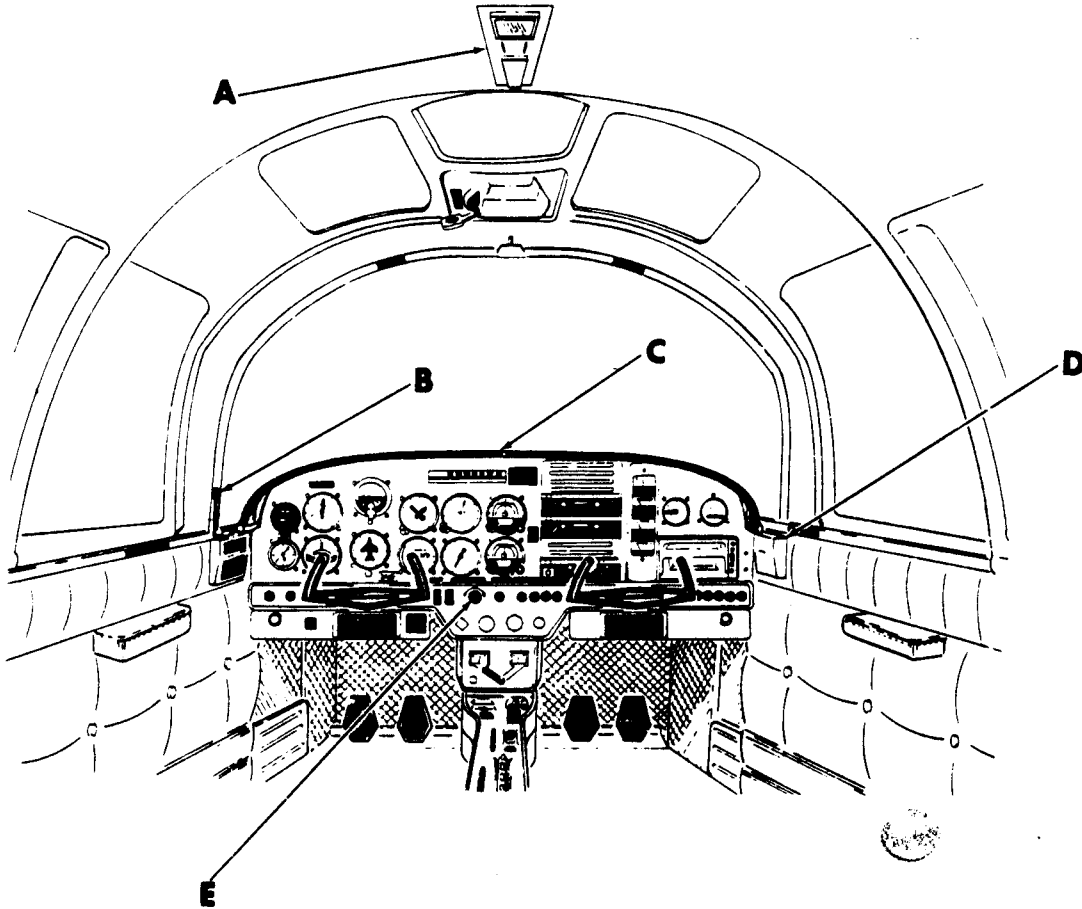
Figure & Index No.	Part Number	Nomenclature							Units Per Assy	Usable On Code	
		1	2	3	4	5	6	7			
33- 1	NO NUMBER	EXTERIOR LIGHT INSTALLATIONS . . . . .							NP		
	NO NUMBER	NAVIGATION LIGHT INSTALLATION . . . . .							NP		
- 1	201191-507	LENS (LH) . . . . .							1		
	201191-508	LENS (RH) . . . . .							1		
		(ATTACHING PARTS)									
- 2	GAES1022Z8-10	SCREW . . . . .							8		
	A3135-017-24A	WASHER (V78533) . . . . .							8		
- 3	GAES1021Z4-6	SCREW . . . . .							2		
- 4	201183-5	SHIELD (LH) . . . . .							1		
	201183-6	SHIELD (RH) . . . . .							1		
- 5	522	VINYL FOAM TAPE (V25662) . . . . .							AR		
- 6	31-0745-1	SHIELD . . . . .							2		
		(ATTACHING PARTS)									
- 7	MS24693-S30	SCREW . . . . .							1		
- 8	A1280-2	LENS (LH) (V72914) . . . . .							1		
	A1280-3	LENS (RH) (V72914) . . . . .							1		
- 9	A1257A	GASKET (V72914) . . . . .							2		
-10	1512	LAMP (V72914) . . . . .							2		
-11	30-0009-35	LIGHT ASSY (V72914) . . . . .							2		
		(ATTACHING PARTS)									
-12	MS24693-S26	SCREW . . . . .							2		
-13	A6-75	RIVNUT (V03481) . . . . .							2		
-14	TA201-TB-W	SWITCH (V73559) (REFER TO FIGURE 34-1) . . . . .							REF		
-15	AGC10	FUSE (V71400) (REFER TO FIGURE 34-1) . . . . .							REF		
	5804012-503	STROBE LIGHT INSTALLATION (OPTIONAL) . . . . .							AR		
-16	X2RDA	LAMP ASSY (V30467) . . . . .							2		
-17	AN961-6	WASHER . . . . .							4		
	5804012-504	POWER SUPPLY ASSY . . . . .							2		
	5804012-504	(ATTACHING PARTS)									
-18	AN528-632R10	SCREW . . . . .							4		
	AN936-86	WASHER . . . . .							4		
	AN961-6	WASHER . . . . .							4		
-19	73-140	POWER SUPPLY (V30467) . . . . .							1		
-20	A6-75	RIVNUT (V03481) . . . . .							4		
-21	120-50	PLACARD - WARNING . . . . .							2		
-22	TA201-TB-W	SWITCH (V73559) . . . . .							1		
-23	AGC5	FUSE (V71400) (REFER TO FIGURE 34-1) . . . . .							REF		
-24	5803007-109	PLACARD . . . . .							1		
	5804028-501	LANDING LIGHT INSTALLATION (OPTIONAL) . . . . .							AR		
-25	5101035-1	COVER . . . . .							REF		
		(ATTACHING PARTS)									
-26	MS24694-S4	SCREW . . . . .							REF		
	A3135-017-24A	WASHER (V78533) . . . . .							REF		
-27	MS35206-251	SCREW . . . . .							3		
-28	804003-502	SUPPORT ASSY . . . . .							1		
-29	4509	LAMP (V08806 OR V79500) . . . . .							1		
-30	804003-503	RETAINER . . . . .							1		
-31	804049-1	SEAL . . . . .							2		
-32	NAS680A08	NUTPLATE . . . . .							3		
		(ATTACHING PARTS)									
-33	MS20470AD3-4	RIVET . . . . .							2		
-34	TA201-TB-W	SWITCH (V73559) . . . . .							1		
-35	AGC10	FUSE (V71400) . . . . .							1		
-36	HKP	FUSE HOLDER (V71400) . . . . .							1		
	804001-505	FLASHING BEACON INSTALLATION (OPTIONAL) . . . . .							AR	D	R
	5804057-501	FLASHING BEACON INSTALLATION (OPTIONAL) . . . . .							AR	E	R
	5804057-502	FLASHING BEACON INSTALLATION (OPTIONAL) . . . . .							AR	F	R

AA-5 SERIES  
ILLUSTRATED PARTS CATALOG

Figure & Index No.	Part Number	Nomenclature							Units Per Assy	Usable On Code	
		1	2	3	4	5	6	7			
33- 1	-37	804001-502 5804057-504							1 1	D EF	R R
	-38	GAES102126-6							12		R
	-39	X1A							1		
	-40	804001-2 5804057-2 AN526-832R8 MS35206-245 MS20364-832 MS21042-08							1 1 2 2 2 2	D EF D EF D EF	R R R R R R
	-41	40-5A							1		
	-42	804001-1							1		
	-43	804001-3							1		R
	-44	302040-2 302040-6 302040-11 302040-12							1 1 1 1	D F B C	R
	-45	AN509-10R19 MS24693-273 AN980-10 MS20365-1032 MS21042-3							2 2 2 2 2	D EF D EF	R R K R
	-46	A1EB							1		
	-47	AN526-832R8 AN980-8							4 4		
	-48	DK250							1		
	-49	DK500							1		
	-50	480303-0							2		
	-51	804001-5							1		
	-52	MS35489-4							1		
	-53	ZR-0075-1150-PF							1		
	-54	AN526-1032R14 AN980-10 MS20364-1032							2 4 2		
	-55	DK250							1		
	-56	28-000-100							1		
	-57	5803007-108							1		
	-58	AGC15 HKP							1 1		
	-59	NO NUMBER A2084-A-1-1777							NP REF		
	-60	GAES102124-8							2		
	-61	A-15263-3-1							2		
	-62	1777							1		

\* = REFER TO CHAPTER 11 FOR PLACARDS.  
A = AA5A-0283 THRU AA5A-0522  
AA5B-0400 THRU AA5B-0692  
B = AA5A-0523 AND SUBSEQUENT  
C = AA5B-0693 AND SUBSEQUENT  
D = AA5B-0400 THRU 0868  
AA5A-0283 THRU 0651  
E = AA5B-0869 AND SUBSEQUENT  
F = AA5A-0652 AND SUBSEQUENT

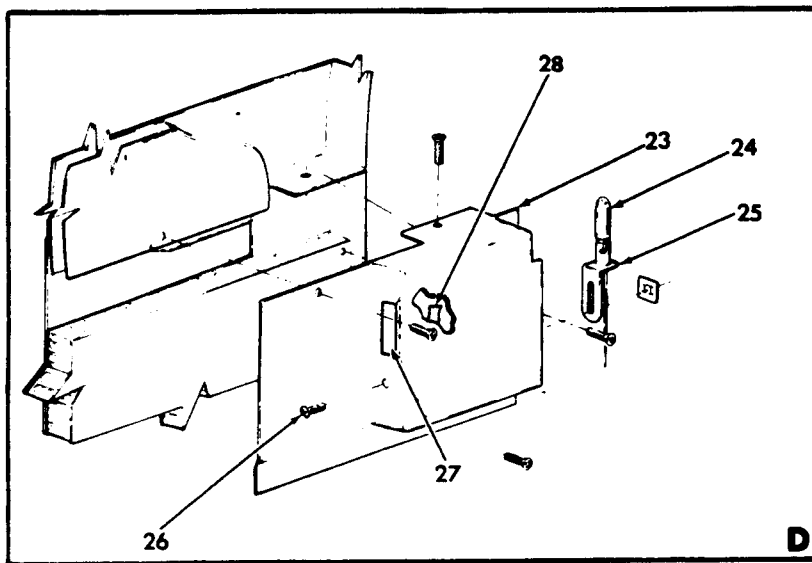
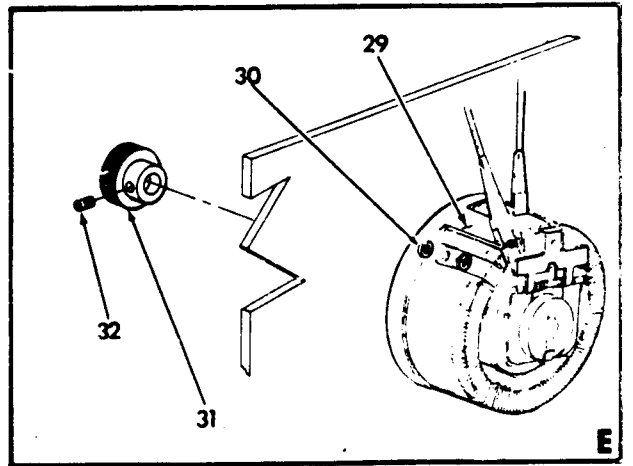
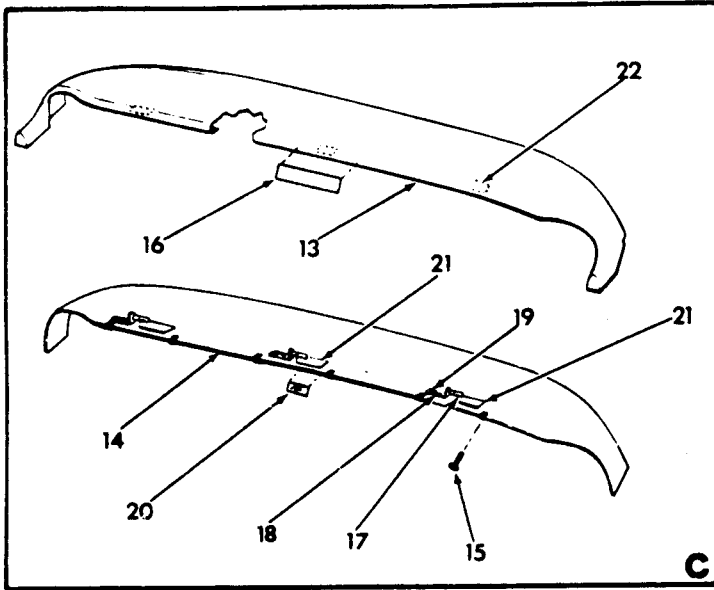
AA-5 SERIES  
ILLUSTRATED PARTS CATALOG



Interior Light Installations  
Figure 33-2 (Sheet 1 of 2)

33G54-2-1

AA-5 SERIES  
ILLUSTRATED PARTS CATALOG



Interior Light Installations  
Figure 33-2 (Sheet 2 of 2)

33G54-2-2

AA-5 SERIES  
ILLUSTRATED PARTS CATALOG

Figure & Index No.	Part Number	Nomenclature 1 2 3 4 5 6 7	Units Per Assy	Usable On Code	
				A	R
33- 2 -	NO NUMBER 5102354-501	INTERIOR LIGHT INSTALLATIONS . . . . .	NP		
		DOVE LIGHT INSTALLATION (SEE FIGURE . . . . .	REF	A	R
	5102354-503	25-5 FOR NHA)			
		DOVE LIGHT INSTALLATION (SEE FIGURE . . . . .	REF	B	R
		25-6 FOR NHA)			
- 1	5102354-502	DOVE ASSY . . . . .	1	A	R
	5102354-504	DOVE ASSY . . . . .	1	B	R
		(ATTACHING PARTS)			
- 2	GAES1021A6-6C A1784-6Z-1	SCREW . . . . .	2		
		NUT CLIP . . . . .	2		
- 3	1816	BULB (V08806) . . . . .	2		
- 4	2-01-1	LAMP HOLDER . . . . .	2		
- 5	5102354-1	CHANNEL . . . . .	1		
		(ATTACHING PARTS)			
- 6	1601-0410	RIVET (V19738) . . . . .	4		
- 7	T1GM61-1C-WH-FN	SWITCH (V73559) . . . . .	1		
- 8	5803007-118	PLACARD - SWITCH . . . . .	1		R
	5804032-501	MAP LIGHT INSTALLATION (OPTIONAL)	AR		
- 9	5804032-502	LAMP ASSY . . . . .	1		
		(ATTACHING PARTS)			
-10	MS35207-264	SCREW . . . . .	1		
	AN980-10	WASHER . . . . .	1		
	MS20386-1022	NUT . . . . .	1		
-11	GE52	BULB (V08806) . . . . .	1		
-12	5804054-501	CLIP ASSY . . . . .	1		
	5102338-501	GLARESHIELD ASSY (SEE FIGURE 34-5 FOR NHA)	REF		
-13	5102338-1	GLARESHIELD . . . . .	1		
-14	5102338-2	GLARESHIELD . . . . .	1		
-15	GAES1021Z6-6B	SCREW . . . . .	8		
	A6014-6Z-1	NUT . . . . .	8		
-16	803007-34	PLACARD - NO HOLD . . . . .	1		
-17	1816	BULB (V08806) . . . . .	3		
-18	7-06	SOCKET (V95263) . . . . .	3		
		(ATTACHING PARTS)			
-19	GAES1021Z6-6B	SCREW . . . . .	1		
	A6014-6Z-1	NUT . . . . .	1		
-20	5102338-5	LENS . . . . .	1		
-21	102338-7	LENS . . . . .	3		
-22	Y-9040	TAPE (V26066) . . . . .	AR		
	NO NUMBER	INSTRUMENT PANEL SIDE LIGHTS	NP		
	5102338-502	MOULDING ASSY (RH) . . . . .	REF		
	5102338-503	MOULDING ASSY (LH) . . . . .	REF		
-23	5102338-4	MOULDING (RH) . . . . .	1		
	5102338-3	MOULDING (LH) . . . . .	1		
-24	1816	BULB (V08806) . . . . .	1		
-25	7-06	SOCKET (V95263) . . . . .	1		
		(ATTACHING PARTS)			
-26	GAES1021Z6-6B	SCREW . . . . .	1		
	A6014-6Z-1	NUT . . . . .	1		
-27	102338-7	LENS . . . . .	1		
-28	Y-9040	TAPE (V26066) . . . . .	AR		
-29	R50-30	RHEOSTAT (MEMCOR) (SEE FIGURE 34-1 FOR NHA)	REF		
-30	AN960-616L	WASHER . . . . .	1		
	AN936A616	WASHER . . . . .	1		
-31	116	KNOB (V80813) . . . . .	1		
-32	AN565DBH4	SETSCREW . . . . .	1		

\* = REFER TO CHAPTER 11 FOR PLACARDS.

A = AA5A-0283 AND SUBSEQUENT  
AA5B-0400 THRU AA5B-0692

B = AA5B-0693 AND SUBSEQUENT