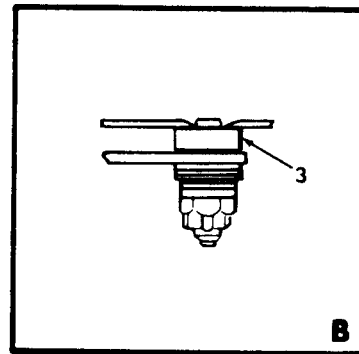
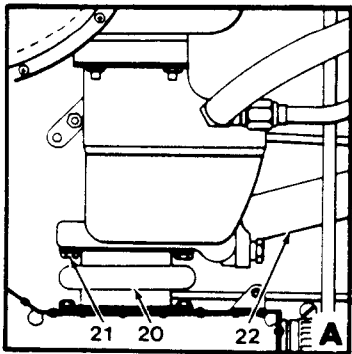
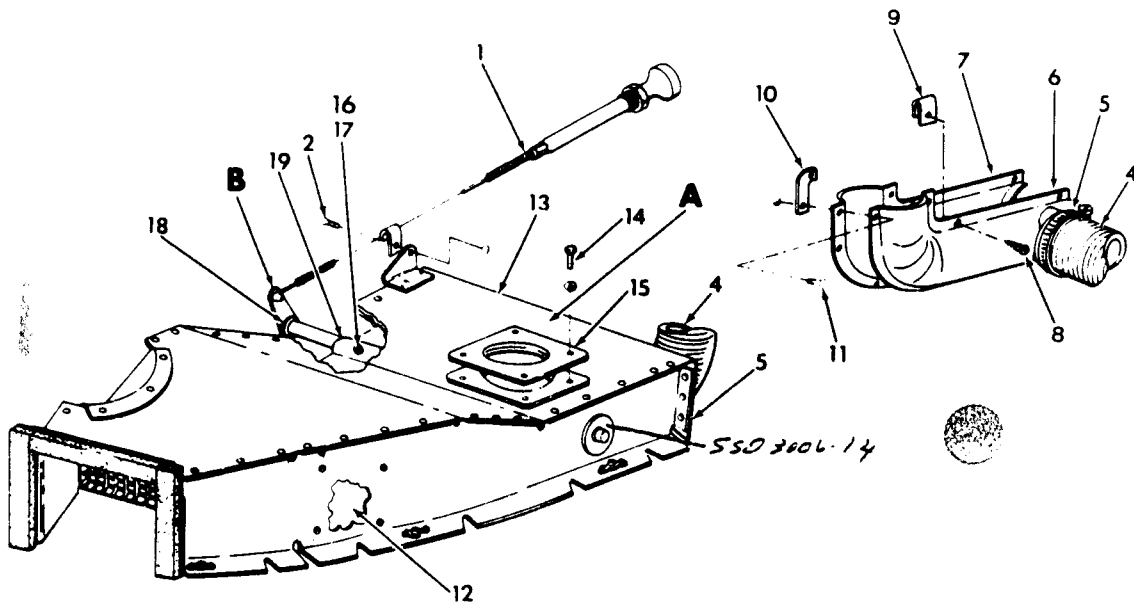
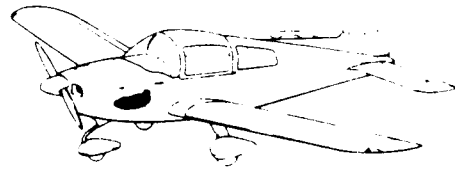


AA-5 SERIES
ILLUSTRATED PARTS CATALOG

CHAPTER 30
ICE AND RAIN PROTECTION
TABLE OF CONTENTS

| <u>SUBJECT</u> | <u>FIGURE NUMBER</u> |
|---|--------------------------|
| CARBURETOR HEAT SYSTEM (AA-5A) | 30-1 |
| CARBURETOR HEAT SYSTEM (AA-5B) | 30-2 |
| DEFROSTER SYSTEM | 30-3 |
| HEATED PITOT TUBE INSTALLATION (OPTIONAL) | 30-4 |
| SEALS | 30-5 |

AA-5 SERIES
ILLUSTRATED PARTS CATALOG



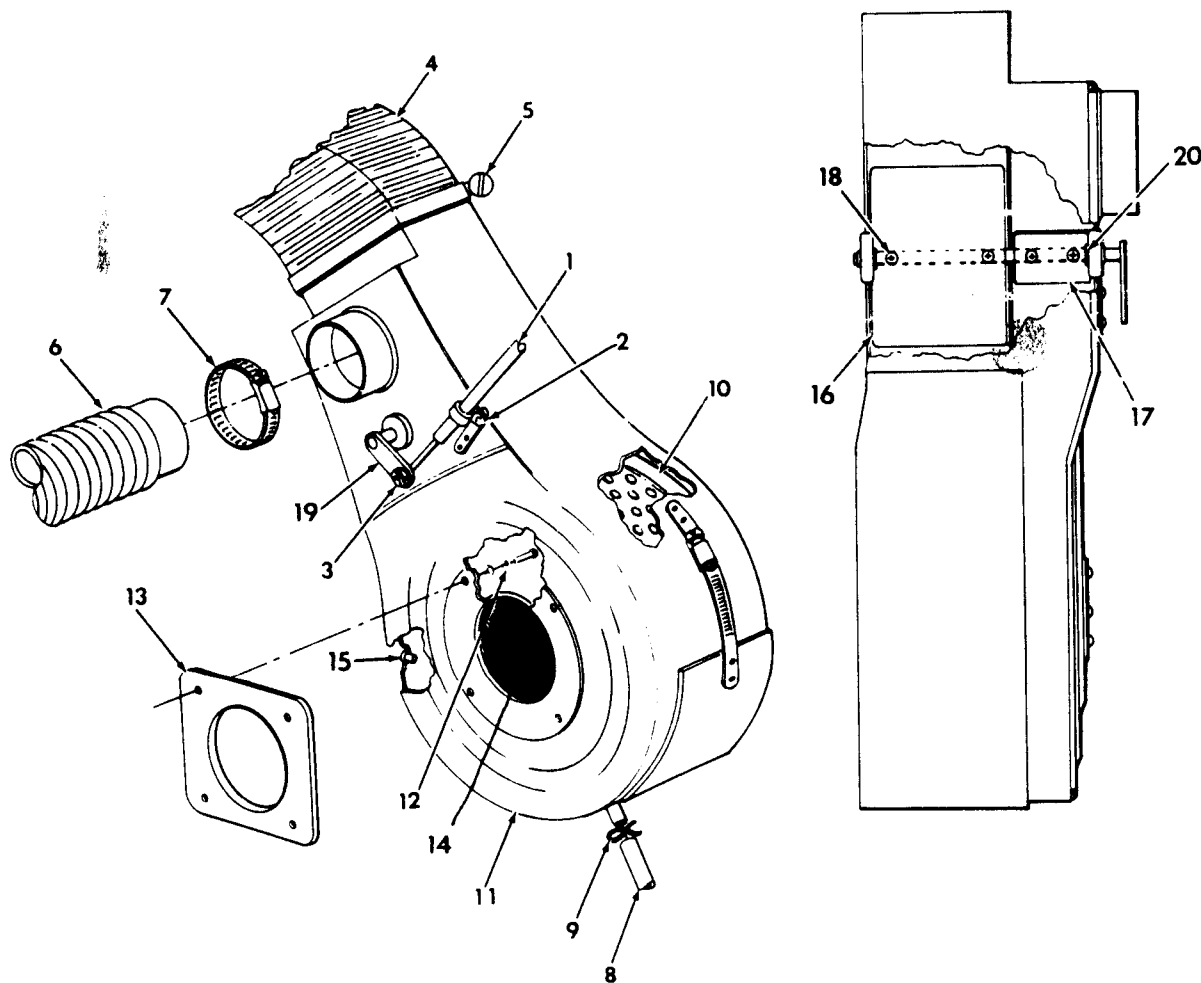
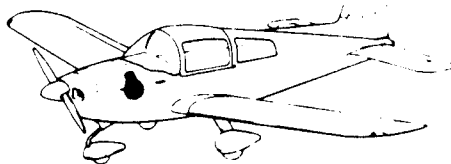
Carburetor Heat System (AA-5A)
Figure 30-1

30G54-1

AA-5 SERIES
ILLUSTRATED PARTS CATALOG

| Figure & Index No. | Part Number | Nomenclature | | | | | | | Units Per Assy | Usable On Code |
|-----------------------|----------------|--|---|---|---|---|---|---|----------------------|----------------------|
| | | 1 | 2 | 3 | 4 | 5 | 6 | 7 | | |
| 30- 1 | NO NUMBER | CARBURETOR HEAT SYSTEM (AA-5A) | | | | | | | NP | |
| - 1 | 507003-2 | CARBURETOR HEAT CONTROL (ATTACHING PARTS) | | | | | | | 1 | |
| - 2 | MS21919DG2 | CLAMP | | | | | | | 1 | |
| | AN526-1032R6 | SCREW | | | | | | | 1 | |
| | MS20364-1032 | NUT | | | | | | | 1 | |
| - 3 | 3A-665-3/16 | SWIVEL ASSY (V78190) | | | | | | | 1 | |
| | AN960-416 | WASHER | | | | | | | 1 | |
| | AN960-416L | WASHER | | | | | | | 1 | |
| | AN960-10 | WASHER | | | | | | | AR | |
| - 4 | 406002-1 | DUCT | | | | | | | 1 | |
| | | (ATTACHING PARTS) | | | | | | | | |
| - 5 | QS100M28S | CLAMP (F.B. WRIGHT) | | | | | | | 2 | |
| | | ----- | | | | | | | | |
| | 503005-505 | CARBURETOR HEAT TUBE ASSY | | | | | | | 1 | |
| - 6 | 503005-504 | SHELL ASSY | | | | | | | 1 | |
| - 7 | 503005-6 | SHELL | | | | | | | 1 | |
| - 8 | GAES1021Z6-6 | SCREW | | | | | | | 6 | |
| - 9 | NAS395-2-3 | NUT | | | | | | | 6 | |
| -10 | 503005-4 | STRAP | | | | | | | 2 | |
| -11 | AN526-832R6 | SCREW | | | | | | | 2 | |
| | MS20364-832C | NUT | | | | | | | 2 | |
| -12 | 8994914 | AIR FILTER ELEMENT (V70040) | | | | | | | 1 | |
| -13 | 5503006-501 | INDUCTION AIR BOX ASSY (ATTACHING PARTS) | | | | | | | 1 | |
| -14 | AN3-3A | BOLT | | | | | | | 4 | |
| | AN960-10 | WASHER | | | | | | | 4 | |
| -15 | 5503008-1 | PLATE | | | | | | | 1 | |
| -16 | 5503006-502 | BUTTERFLY ASSY (ATTACHING PARTS) | | | | | | | 1 | |
| -17 | MS35457-9 | SCREW | | | | | | | 3 | |
| | AN960-6 | WASHER | | | | | | | 6 | |
| | MS20365-632C | NUT | | | | | | | 3 | |
| | | ----- | | | | | | | | |
| -18 | 5503006-503 | SHAFT ASSY | | | | | | | 1 | |
| -19 | AN960-416 | WASHER | | | | | | | 2 | |
| | AN960-416L | WASHER | | | | | | | 2 | |
| -20 | 5503004-1 | DUCT | | | | | | | 1 | |
| | | (ATTACHING PARTS) | | | | | | | | |
| -21 | MS20074-04-03 | BOLT | | | | | | | REF | |
| | MS20994C32 | SAFETY WIRE | | | | | | | REF | |
| -22 | 501112-503 | BRACKET ASSY | | | | | | | 1 | |
| | | ----- | | | | | | | | |

AA-5 SERIES
ILLUSTRATED PARTS CATALOG



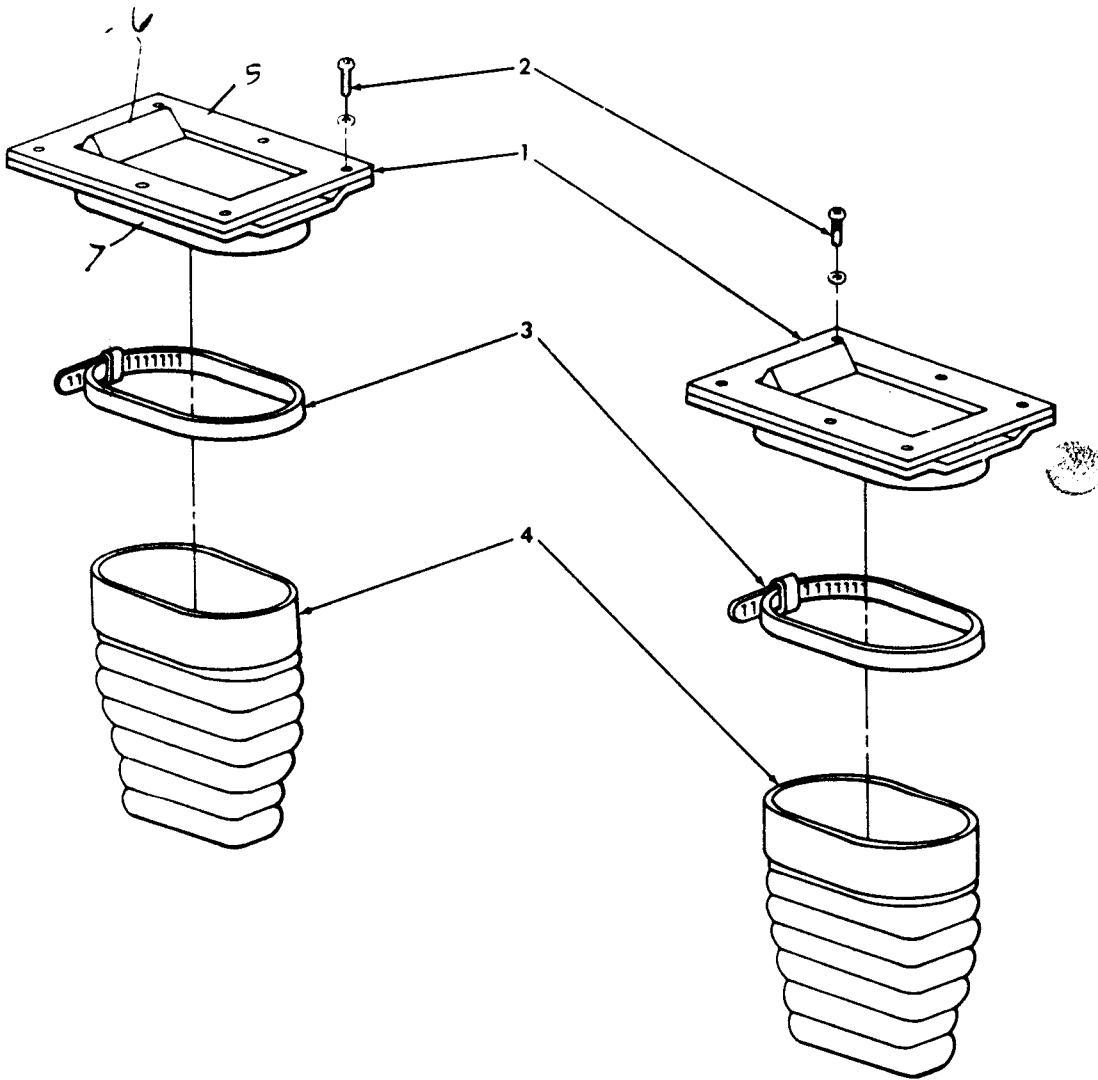
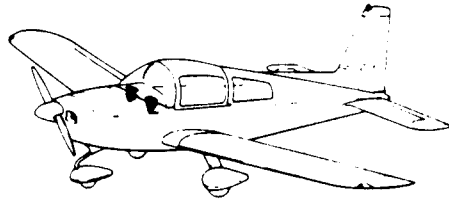
30G54-2

Carburetor Heat System (AA-5B)
Figure 30-2

AA-5 SERIES
ILLUSTRATED PARTS CATALOG

| Figure & Index No. | Part Number | Nomenclature | | | | | | | Units Per Assy | Usable On Code | |
|---|----------------|------------------------|---|---|---|---|---|---|----------------------|----------------------|---|
| | | 1 | 2 | 3 | 4 | 5 | 6 | 7 | | | |
| 30- 2 | - | NO NUMBER | CARBURETOR HEAT SYSTEM (AA-5B) | | | | | | | NP | |
| - 1 | | 507003-2 | CARBURETOR HEAT CONTROL (ATTACHING PARTS) | | | | | | | 1 | |
| - 2 | | MS21919DG3 | CLAMP | | | | | | | 1 | |
| | | MS35207-261 | SCREW | | | | | | | 1 | |
| | | AN960-10 | WASHER | | | | | | | 1 | |
| | | MS20364-1032 | NUT | | | | | | | 1 | |
| - 3 | | 3A-664-3/16 | SWIVEL ASSY (V78190) | | | | | | | 1 | |
| | | AN960-416 | WASHER | | | | | | | 2 | |
| | | AN960-10 | WASHER | | | | | | | AR | |
| - 4 | | 5500009-4 | DUCT (ATTACHING PARTS) | | | | | | | 1 | |
| - 5 | | QS100M64S | CLAMP (F.B. WRIGHT) | | | | | | | 2 | |
| - 6 | | 5500009-5 | HOSE (ATTACHING PARTS) | | | | | | | 1 | |
| - 7 | | QS100M36S | CLAMP (F.B. WRIGHT) | | | | | | | 2 | |
| - 8 | | 5500009-6 | TUBE (ATTACHING PARTS) | | | | | | | 1 | |
| - 9 | | A6 | CLAMP (V05657) | | | | | | | 1 | |
| -10 | | 8994656 | AIR FILTER ASSY (V70040) | | | | | | | 1 | A |
| | | 5500015-501 | FILTER ASSY, AIR INTAKE | | | | | | | 1 | C |
| | | 8994656 | REPLACEMENT FILTER (70040) | | | | | | | 1 | C |
| | | 7SCF024-1 | FILTER ASSY (ATTACHING PARTS) | | | | | | | 1 | D |
| | | GS551A-40 | SCREW | | | | | | | 2 | B |
| -11 | | 5503005-517 | AIR BOX ASSY | | | | | | | 1 | A |
| | | 5503005-519 | AIR BOX ASSY (ATTACHING PARTS) | | | | | | | 1 | B |
| -12 | | MS20074-04-05 | BOLT | | | | | | | 4 | C |
| | | AN960-416L | WASHER | | | | | | | 4 | R |
| | | AN936B416 | WASHER | | | | | | | 4 | R |
| | | MS20995C41 | SAFETY WIRE | | | | | | | AR | |
| -13 | | 5503009-1 | GASKET | | | | | | | 1 | |
| -14 | | 5500015-502) 7P/0/0747 | SCREEN ASSY | | | | | | | 1 | D |
| | | 5503005-515 | COVER ASSY (ATTACHING PARTS) | | | | | | | 1 | |
| -15 | | MS20470AD4-4 | RIVET | | | | | | | 6 | R |
| | | 40304 | SEAL (V26066) | | | | | | | AR | R |
| -16 | | 5503005-507 | VALVE ASSY | | | | | | | 1 | R |
| -17 | | 5503005-521 | VALVE ASSY (ATTACHING PARTS FOR INDEX NUMBERS -16 AND -17) | | | | | | | 1 | R |
| -18 | | MS35206-231 | SCREW | | | | | | | 2 | R |
| | | AN960-6L | WASHER | | | | | | | 2 | |
| | | MS20365-632 | NUT | | | | | | | 2 | |
| -19 | | 5503005-506 | SHAFT ASSY | | | | | | | 1 | R |
| -20 | | AN960-416L | WASHER | | | | | | | 4 | R |
| <p>A = AA5B-0400 THRU AA5B-0549</p> <p>B = AA5B-0550 AND SUBSEQUENT</p> <p>C = AA5B-0550 THRU 0944</p> <p>D = AA5B-0945 AND SUBSEQUENT AND SPARES</p> <p>* = PART NO. 7SCF024-1 MAY BE USED IN PLACE OF PART NO. 5500015-501 ON AIRCRAFT SERIAL NO.'S THRU 0944</p> | | | | | | | | | | | |

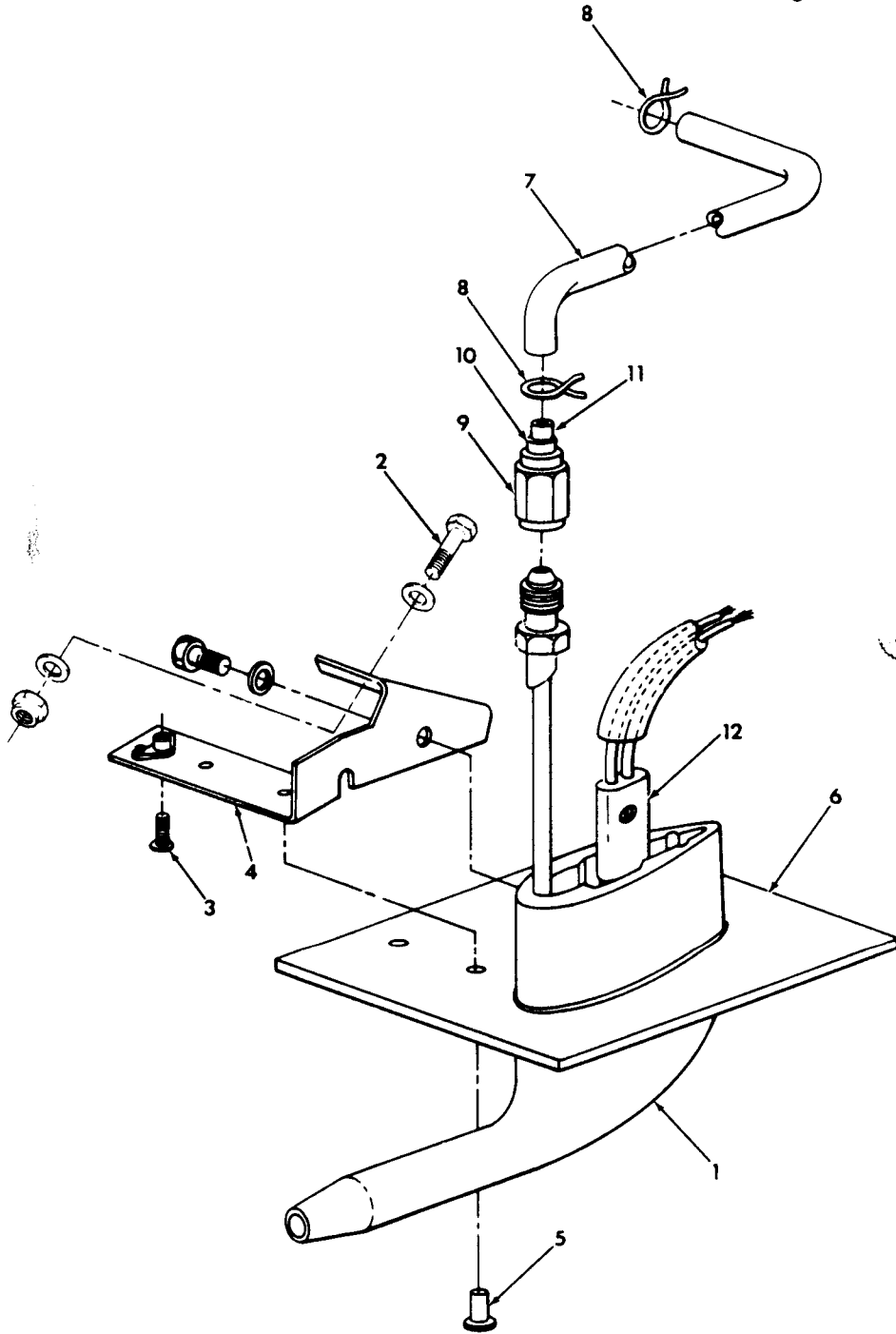
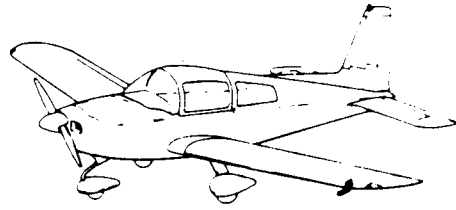
AA-5 SERIES
ILLUSTRATED PARTS CATALOG



30G54-3

Defroster System
Figure 30-3

AA-5 SERIES
ILLUSTRATED PARTS CATALOG



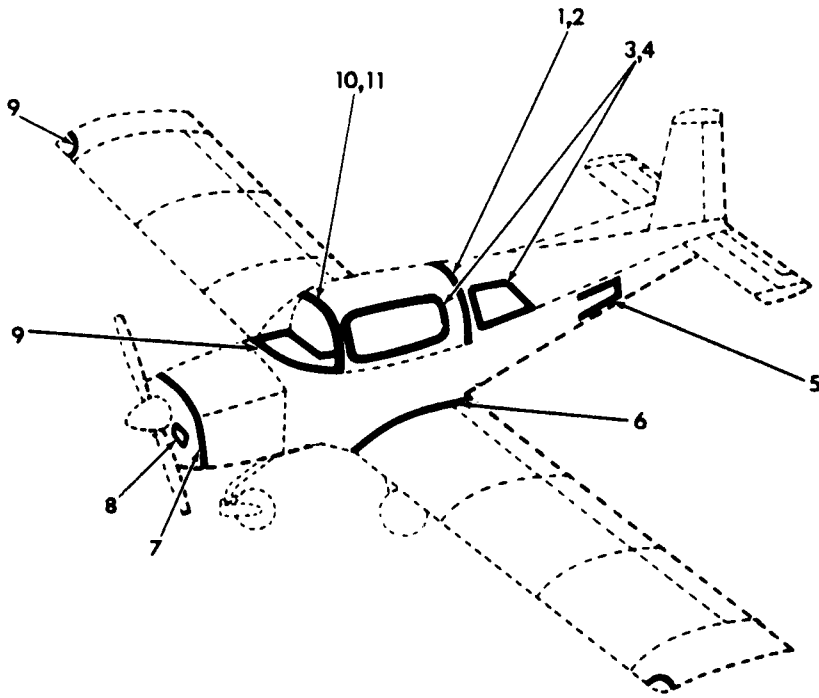
Heated Pitot Tube Installation (Optional)
Figure 30-4

30G54-4

AA-5 SERIES
ILLUSTRATED PARTS CATALOG

| Figure & Index No. | Part Number | Nomenclature | | | | | | | Units Per Assy | Usable On Code |
|-----------------------|----------------|---|---|---|---|---|---|---|----------------------|----------------------|
| | | 1 | 2 | 3 | 4 | 5 | 6 | 7 | | |
| 30- 4 | 5804007-501 | HEATED PITOT TUBE INSTALLATION (OPTIONAL) | | | | | | | AR | |
| - 1 | PH502-12 | PITOT TUBE (V70134) | | | | | | | 1 | |
| | | (ATTACHING PARTS) | | | | | | | | |
| - 2 | AN3-4A | BOLT | | | | | | | 1 | |
| | AN960-10 | WASHER | | | | | | | 2 | |
| | MS20365-1032 | NUT | | | | | | | 1 | |
| - 3 | MS24694-548 | SCREW | | | | | | | 1 | |
| - 4 | 5804008-1 | BRACKET ASSY | | | | | | | 1 | |
| - 5 | 1604-0412 | RIVET (V19738) | | | | | | | 2 | |
| - 6 | 804008-501 | COVER | | | | | | | 1 | |
| | | ----- | | | | | | | | |
| - 7 | 5804007-1 | TUBE | | | | | | | 1 | |
| | | (ATTACHING PARTS) | | | | | | | | |
| - 8 | A-6 | CLAMP (V05657) | | | | | | | 2 | |
| | | ----- | | | | | | | | |
| - 9 | AN818-4D | NUT | | | | | | | 1 | |
| -10 | MS20819-4D | SLEEVE | | | | | | | 1 | |
| -11 | 804007-1 | TUBE | | | | | | | 1 | |
| -12 | AN3115-1 | RECEPTACLE | | | | | | | 1 | |

AA-5 SERIES
ILLUSTRATED PARTS CATALOG



30G54-5

Seals
Figure 30-5

AA-5 SERIES
ILLUSTRATED PARTS CATALOG

| Figure & Index No. | Part Number | Nomenclature | Units | Usable |
|-----------------------|------------------------|------------------------------|-------------|------------|
| | | | Per Assy | On Code |
| | | 1 2 3 4 5 6 7 | | |
| 30- 5 | NO NUMBER | SEALS | NP | |
| - 1 | 3103-11 | SEAL - FUSELAGE (V09144) | 1 | |
| - 2 | 1803-4 | SEAL - AFT CANOPY (V09144) | AR | |
| - 3 | 7402 | SEAL - WINDOW (V92798) | AR | |
| | 7224 | SEAL - WINDOW (V71015) (ALT) | AR | |
| - 4 | Y9132A | TAPE - VINYL FOAM (V26066) | AR | |
| - 5 | GAES411-1-67.50 | SEAL - BAGGAGE DOOR | 1 | |
| - 6 | GAES407-1-87.00 | SEAL - WING | 2 | |
| - 7 | (5101034-33) RML04 NAM | CHAFE STRIP . . . 1" x 1/8" | 2 | |
| - 8 | 804049-1 | SEAL - LANDING LIGHT | 2 | |
| - 9 | 522 | TAPE - VINYL FOAM (V25662) | AR | |
| -10 | GAES413-3 | SEAL - WINDSHIELD | 1 | |
| -11 | 1260 | SEAL - FWD CANOPY (V77969) | AR | |