

AA-5 SERIES
ILLUSTRATED PARTS CATALOG

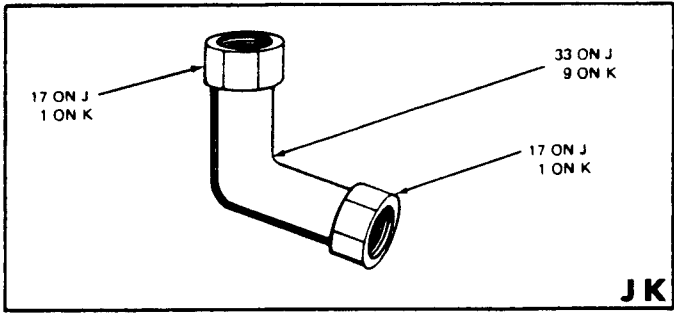
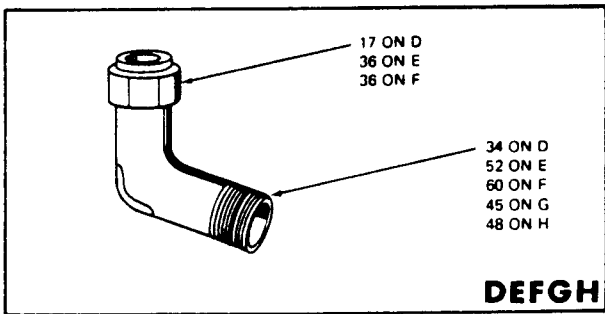
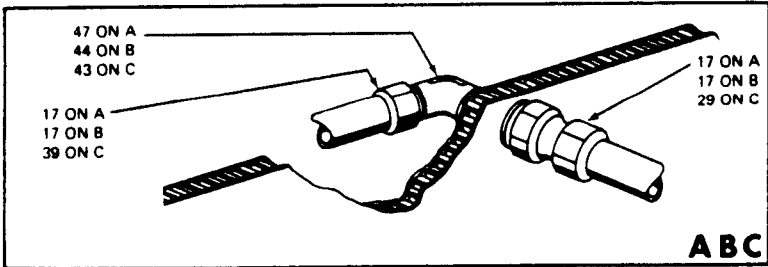
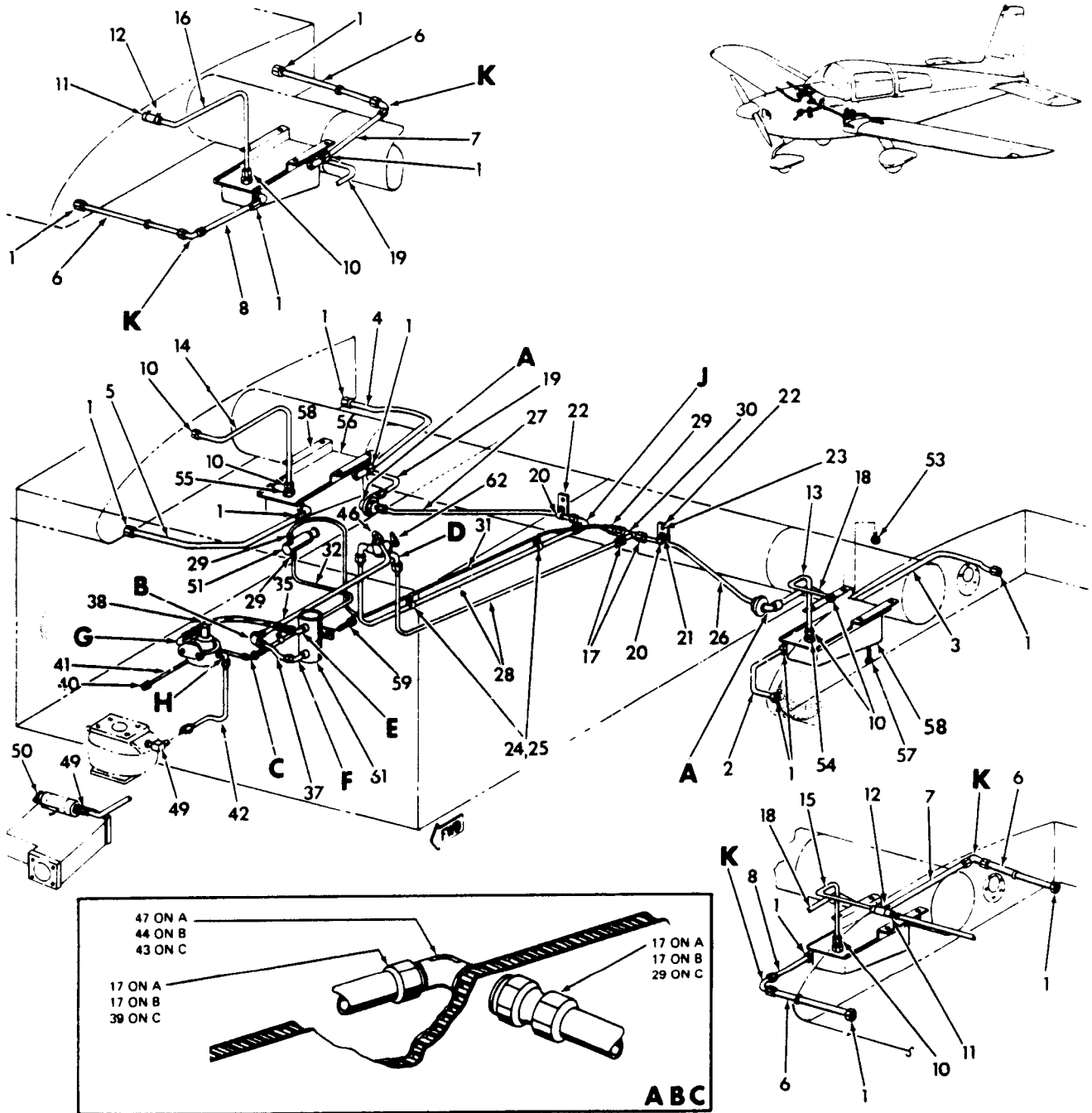
CHAPTER 28

FUEL

TABLE OF CONTENTS

<u>SUBJECT</u>	<u>FIGURE NUMBER</u>
FUEL SYSTEM INSTALLATION	28-1
FUEL VALVE AND GAGE INSTALLATION	28-2
FUEL BOOST PUMP ASSY	28-3

AA-5 SERIES
ILLUSTRATED PARTS CATALOG



28G54-1

Fuel System Installation
Figure 28-1

AA-5 SERIES
ILLUSTRATED PARTS CATALOG

Figure & Index No.	Part Number	Nomenclature	Units	Usable On Code	
			Per Assy		
		1 2 3 4 5 6 7			
28- 1	-	5401130-502	FUEL SYSTEM INSTALLATION	NP	A
		5401130-503	FUEL SYSTEM INSTALLATION	NP	B
		5401130-504	FUEL SYSTEM INSTALLATION (OPTIONAL)	AR	A
		5401121-502	PLUMBING INSTALLATION	NP	A
		5401121-503	PLUMBING INSTALLATION	NP	B
		5401121-504	PLUMBING INSTALLATION (OPTIONAL)	AR	A
	- 1	AN818-8D	NUT	8	A
		MS20819-8D	SLEEVE	8	A
		AN818-8D	NUT	16	C
		MS20819-8D	SLEEVE	16	C
	- 2	5401121-17	TUBE	1	A
	- 3	5401121-21	TUBE	1	A
	- 4	5401121-22	TUBE	1	A
	- 5	5401121-18	TUBE	1	A
	- 6	5401121-29	TUBE	4	C
	- 7	5401121-23	TUBE	2	C
	- 8	5401121-24	TUBE	2	C
	- 9	AN821-8D	ELBOW	4	C
	-10	AN818-4D	NUT	4	A
		MS20819-4D	SLEEVE	4	A
		AN818-4D	NUT	2	C
		MS20819-4D	SLEEVE	2	C
	-11	203-4	HOSE	2	C
	-12	NAS397-8	CLAMP	4	C
	-13	5401121-25	TUBE	1	A
	-14	5401121-26	TUBE	1	A
	-15	5401121-31	TUBE	1	A
	-16	5401121-32	TUBE	1	C
	-17	AN818-6D	NUT	14	C
		MS20819-6D	SLEEVE	14	C
	-18	5401121-19	TUBE	1	C
	-19	5401121-20	TUBE	1	C
	-20	MS21919DG12	CLAMP	2	C
			(ATTACHING PARTS)		
	-21	AN526-1032R6	SCREW	1	
	AN960-10	WASHER	1		
	MS20364-1032	NUT	1		
-22	5607013-2	STRAP	2		
		(ATTACHING PARTS)			
-23	1601-0410	RIVET (V19738)	2		
-24	MS21919DG6	CLAMP	3		
	MS21919DG2	CLAMP	3		
		(ATTACHING PARTS)			
-25	AN526-1032R6	SCREW	1		
	AN960-10	WASHER	1		
	MS20364-1032	NUT	1		
-26	5401121-3	TUBE	1		
-27	5401121-4	TUBE	1		
-28	5401121-1	TUBE	2		
-29	AN818-2D	NUT	4		
	MS20819-2D	SLEEVE	4		
-30	5401131-2	BUSHING	1		
	MS20826-6D	TEE	1		
-31	5401121-13	TUBE	1		
-32	5401121-14	TUBE	1		
-33	AN821-6D	ELBOW	1		
-34	AN822-6D	ELBOW	2		
-35	5401121-2	TUBE	1		

AA-5 SERIES
ILLUSTRATED PARTS CATALOG

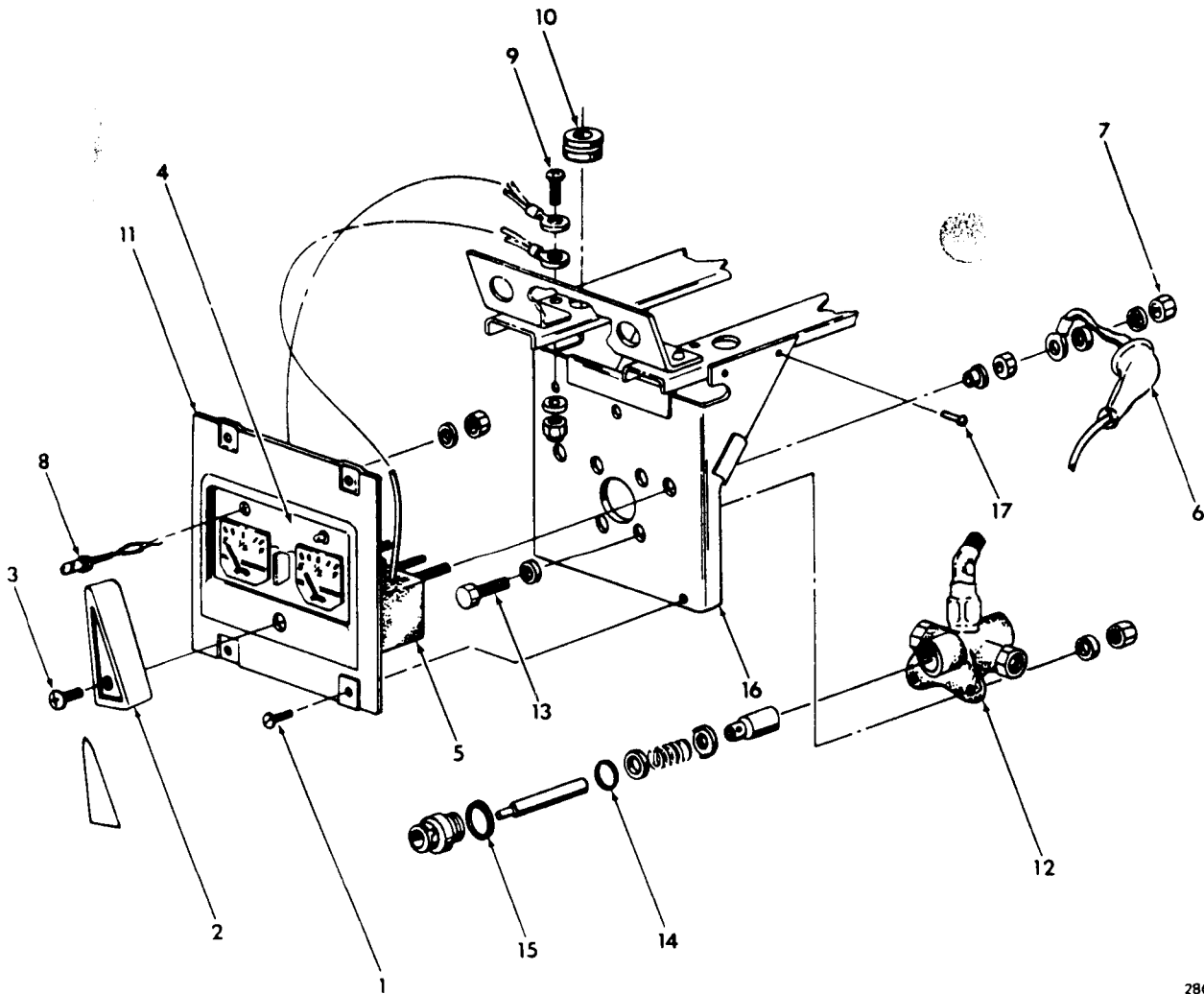
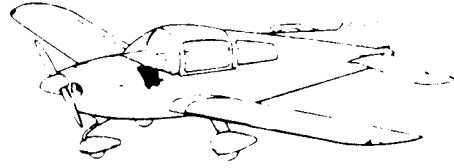
Figure & Index No.	Part Number	Nomenclature							Units Per Assy	Usable On Code
		1	2	3	4	5	6	7		
28- 1	-36	AN818-6							2	
		MS20819-6							2	
	-37	(401121-6) 4 2 1 1 2 5-507							1	
	-38	GAES1325-2-0190F							1	
	-39	AN818-2							1	
		MS20819-2							1	
	-40	AN800-2							1	
		AN805-2							1	
	-41	5401121-15							1	A
		5401121-30							1	B
	-42	401125-502							1	A
		5401116-501							1	B
	-43	AN832-2							1	
		AN924-2D							1	
		AN960-516L							2	
	-44	AN833-6							1	
		AN924-6D							1	
		AN960-916							2	
	-45	C5515X6							1	
	-46	AN823-6D							1	
	-47	AN833-6D							2	
		AN924-6D							2	
		AN960-916							2	
	-48	AN833-6							1	A
		5401118-501							1	B
		AN924-6							1	
		MS29512-06							1	
	-49	401137-501							1	A
		5901019-2							1	B
	-50	5901019-1							1	B
		MS20995-C47							AR	B
	-51	K2403-2							1	B
		K2403-2-1							1	D
		NAS1593-012							2	E
	-52	MS20822-6-2							1	
		5401136-501							1	F
		5401136-502							1	F
		5401136-503							1	G
		5401136-504							1	G
										(ATTACHING PARTS)
	-53	AN3-3A							3	
		901035-2							3	
	-54	AN833-8D							2	
		AN924-8D							2	
		MS29512-08							2	
	-55	AN816-4D							1	
	-56	AN833-6D							1	
		AN924-6D							1	
		MS29512-06							1	
	-57	F391-187							1	F
		CAV110H-4							1	G
		5901008-5							2	G
		AN912-1							2	G
	-58	NO NUMBER							1	
		5401122-501							NP	
										FUEL BOOST PUMP INSTALLATION
										(ATTACHING PARTS)
	-59	AN4-10A							2	
		AN970-4							2	
		902015-1							2	
		AN960-416							2	
		MS20364-428C							2	

AA-5 SERIES
ILLUSTRATED PARTS CATALOG

Figure & Index No.	Part Number	Nomenclature							Units Per Assy	Usable On Code
		1	2	3	4	5	6	7		
28- 1 -	102357-1	PLATE							2	
-60	MS20822-6-2	ELBOW							1	
-61	401126-1	FUEL PUMP ASSY (SEE FIGURE 28-3 FOR BREAKDOWN.)							1	
-62	5401133-501	FUEL VALVE AND GAGE INSTALLATION (SEE FIGURE 28-2 FOR INSTALLATION)							NP	
<p>NOTE: SEE FIGURE 57-1 FOR FUEL TANKS AND FUEL STRAINERS. <i>also fuel quantity transmitter</i></p> <p>A = AA5A-0283 AND SUBSEQUENT</p> <p>B = AA5B-0400 AND SUBSEQUENT</p> <p>C = AA5A-0283 AND SUBSEQUENT (OPTIONAL) AA5B-0400 AND SUBSEQUENT (STANDARD)</p> <p>D = AA5A-0283 THRU AA5A-0297 AA5B-0400 THRU AA5B-0413</p> <p>E = AA5A-0283 AND SUBSEQUENT AA5B-0414 AND SUBSEQUENT</p> <p>F = AA5A-0283 THRU AA5A-0522 AA5B-0400 THRU AA5B-0692</p> <p>G = AA5A-0523 AND SUBSEQUENT AA5B-0693 AND SUBSEQUENT</p>										

R
R
P
h

AA-5 SERIES
ILLUSTRATED PARTS CATALOG



28G54-2

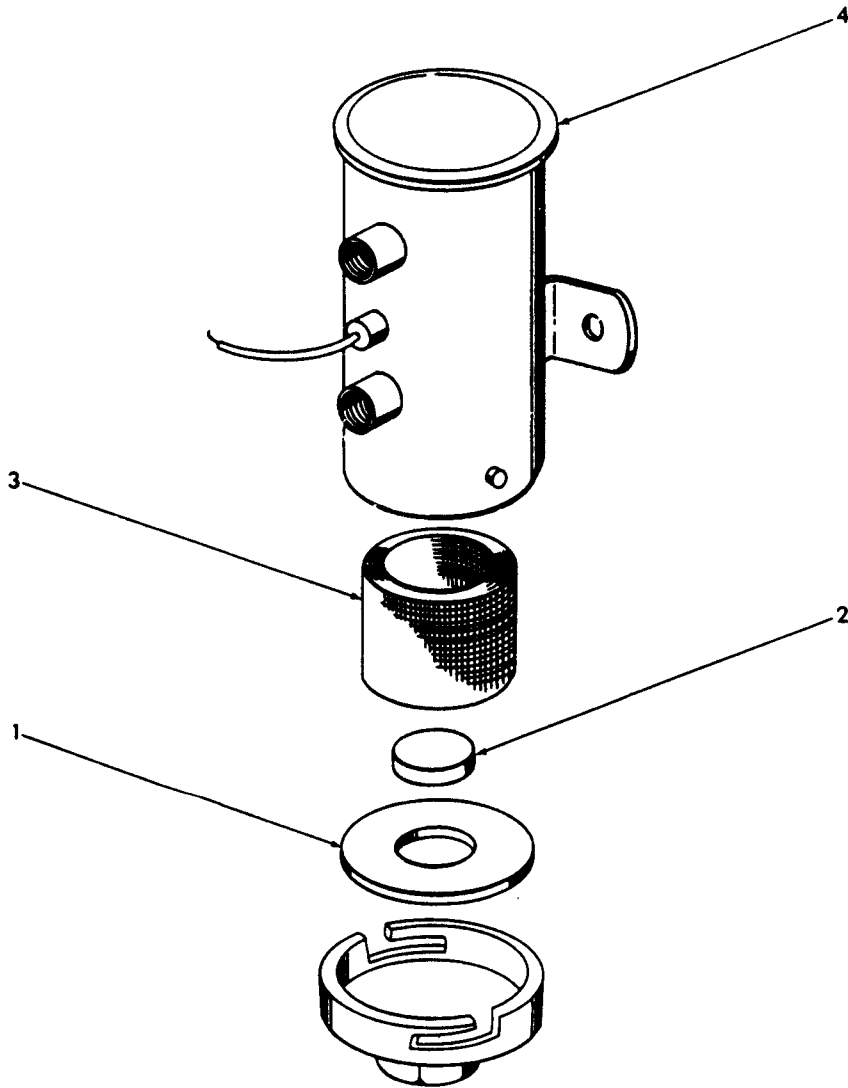
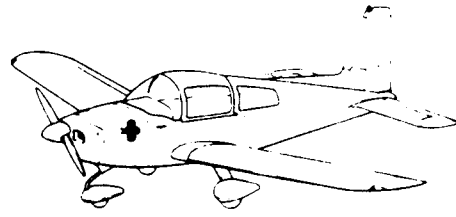
Fuel Valve and Gage Installation
Figure 28-2

AA-5 SERIES
ILLUSTRATED PARTS CATALOG

Figure & Index No.	Part Number	Nomenclature							Units Per Assy	Usable On Code
		1	2	3	4	5	6	7		
28- 2	5401133-501	FUEL VALVE AND GAGE INSTALLATION							REF	
- 1	AN526-832R8	SCREW							4	
	C814-832	SPEED NUT (V78533)							4	
	5803007-110	PLACARD							1	*
- 2	401114-2	HANDLE							1	
		(ATTACHING PARTS)								
- 3	NAS1189-08P84	SCREW							1	
- 4	5401137-501	FACEPLATE							1	
- 5	5901010-501	GAGE ASSY							2	
		(ATTACHING PARTS)								
- 6	MS25171-15	BOOT							2	
- 7	AN341-10	NUT							4	
	MS35333-39	WASHER							2	
	6527-C	WASHER							2	
	5803007-10	PLACARD							1	*
	441346	GAGE (V57733)							1	
- 8	6037-001-704	LAMP ASSY (DRAKE)							2	
	AN960-10L	WASHER							2	
- 9	AN520-1032R8	SCREW							1	
	AN960-10L	WASHER							1	
	MS20364-1032	NUT							1	
-10	MS35490-6	GROMMET							1	
-11	5401137-502	CASE ASSY							1	
-12	SP2358B3	VALVE (V70411)							1	
		(ATTACHING PARTS)								
-13	AN4-4A	BOLT							2	
	AN960-416	WASHER							2	
	MS20364-428	NUT							2	
-14	18X5-70	O-RING (V70411)							1	**
-15	18X2-70	O-RING (V70411)							1	**
-16	5401133-1	BRACKET							1	
		(ATTACHING PARTS)								
-17	1601-0410	RIVET (V19738)							4	
* = REFER TO CHAPTER 11 FOR PLACARDS										
** = INDEX NUMBERS -15 AND -16 ARE THE ONLY REPLACEABLE PARTS INSIDE VALVE										

R

AA-5 SERIES
ILLUSTRATED PARTS CATALOG



28G54-3

Fuel Boost Pump Assembly
Figure 28-3

AA-5 SERIES
ILLUSTRATED PARTS CATALOG

Figure & Index No.	Part Number	Nomenclature 1 2 3 4 5 6 7	Units Per Assy	Usable On Code
28- 3	401126-1	FUEL BOOST PUMP ASSY (SEE FIGURE 28-1 FOR NHA)	REF	
- 1	479136	GASKET (V77820)	1	
- 2	479012	MAGNET (V77820)	1	
- 3	479135	FILTER (V77820)	1	
- 4	NO NUMBER	PUMP	NP	