

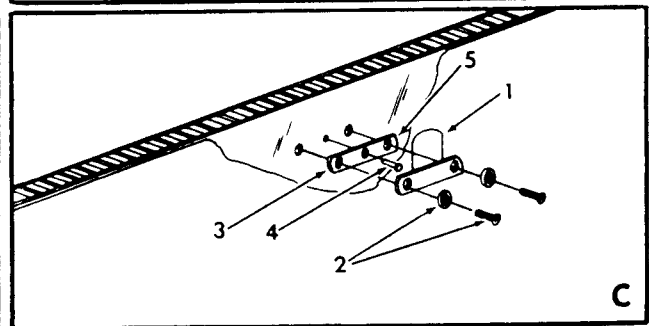
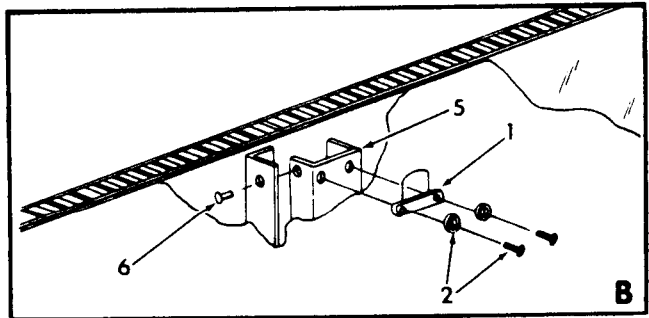
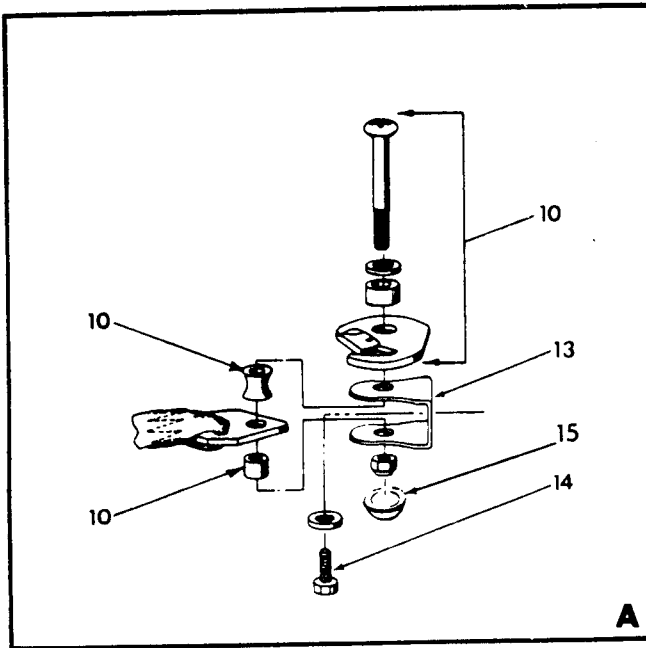
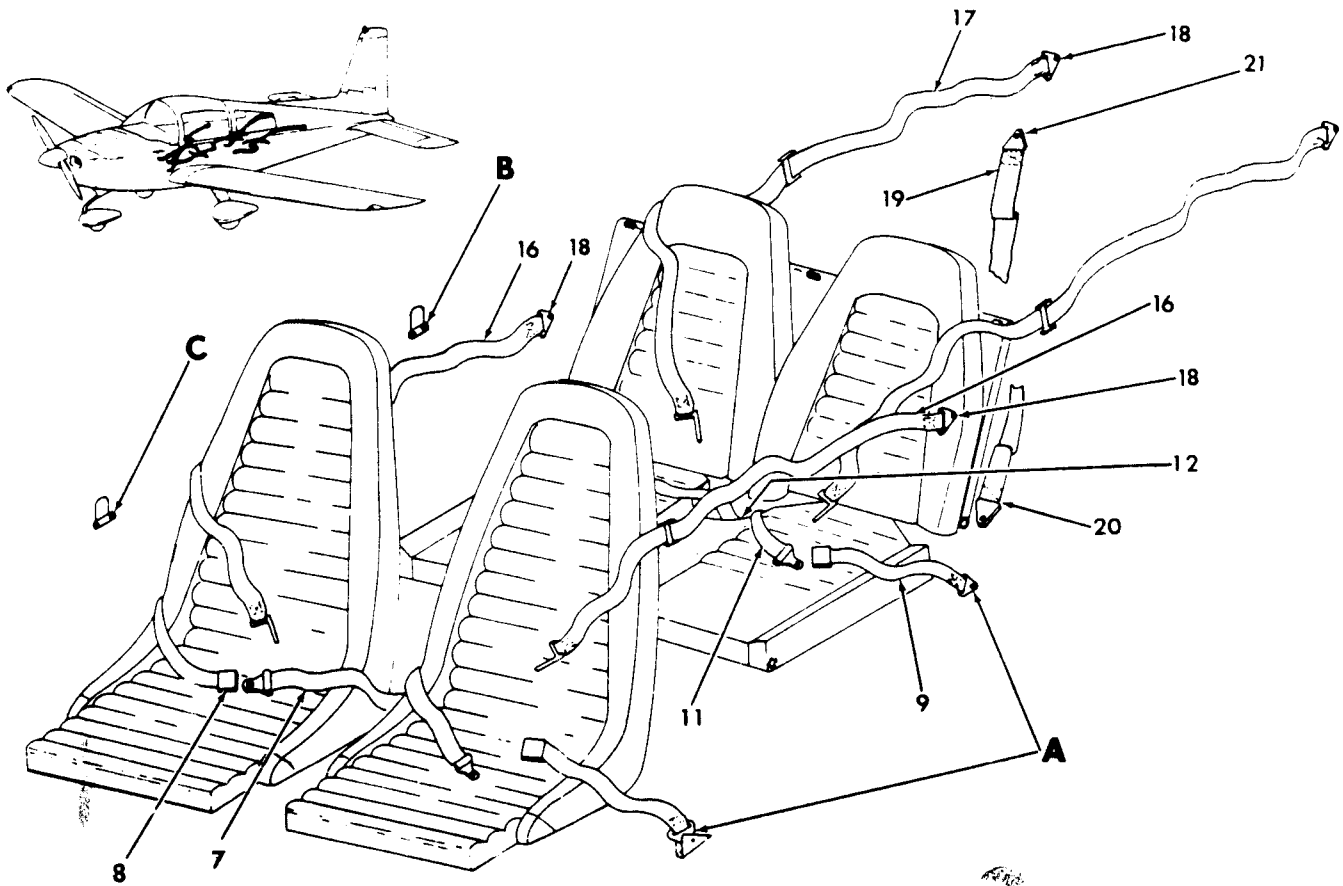
AA-5 SERIES  
ILLUSTRATED PARTS CATALOG

CHAPTER 25  
EQUIPMENT AND FURNISHINGS

TABLE OF CONTENTS

SUBJECT	FIGURE NUMBER	
BELT INSTALLATION	25-1	
FRONT SEAT ASSEMBLY AND INSTALLATION (1977 MODELS)	25-2	R
FRONT SEAT ASSEMBLY AND INSTALLATION (1978 MODELS)	25-3	R
REAR SEAT ASSEMBLY AND INSTALLATION	25-4	R
INSULATION AND UPHOLSTERY INSTALLATION (1977 MODELS)	25-5	R
INSULATION AND UPHOLSTERY INSTALLATION (1978 MODELS)	25-6	R
SUN VISOR ASSEMBLY AND INSTALLATION (OPTIONAL)	25-7	R
OUTSIDE AIR TEMPERATURE GAGE INSTALLATION (OPTIONAL)	25-8	R
FIRE EXTINGUISHER INSTALLATION (OPTIONAL)	25-9	R
STORAGE BOX ASSEMBLY	25-10	R

AA-5 SERIES  
ILLUSTRATED PARTS CATALOG



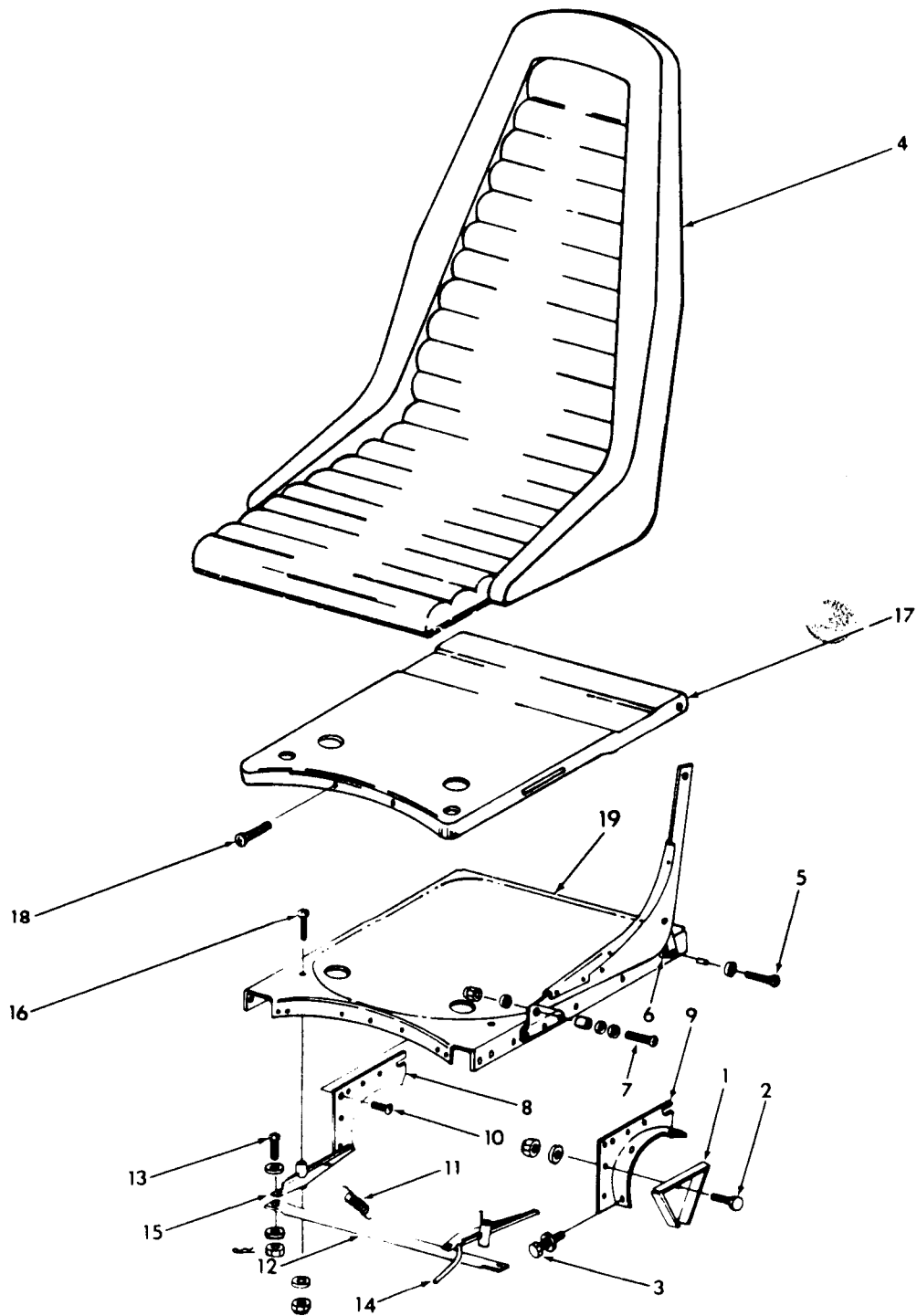
25G54-1

Belt Installation  
Figure 25-1

AA-5 SERIES  
ILLUSTRATED PARTS CATALOG

Figure & Index No.	Part Number	Nomenclature							Units Per Assy	Usable On Code
		1	2	3	4	5	6	7		
25- 1	-	5102352-510	BELT INSTALLATION						NP	
	- 1	8769517	CLIP						4	
		102448-1	COVER						4	
	- 2	GAES1022A8-8B	(ATTACHING PARTS)							
		GAES1300-1	SCREW						2	
			WASHER						2	
	- 3	102447-1	PLATE						2	
			(ATTACHING PARTS)							
	- 4	1601-0410	RIVET (V19738)						1	
	- 5	5102345-1	CLIP						2	
			(ATTACHING PARTS)							
	- 6	1601-0412	RIVET (V19738)						2	
	- 7	5102383-1	LAP BELT ASSY (INBOARD - FWD)						2	
	- 8	5102383-2	LAP BELT ASSY (OUTBOARD - FWD)						2	
	- 9	5102383-5	LAP BELT ASSY (OUTBOARD - AFT)						2	
			(ATTACHING PARTS FOR INDEX NUMBERS -7 THROUGH -9)							
	-10	MS27039-4-27	SCREW (USE WITH 5102383-1 AND -5)						1	
		MS27039-4-35	SCREW (USE WITH 5102333-2)						1	
		AN960-416L	WASHER						1	
		5102331-16	SPACER						1	
		GAES201-2	SPACER						1	
		5812	CARGO LATCH (V29944) (USE WITH 5102383-5)						2	
		5102331-7	SPACER						1	
		5102331-18	SPACER						1	
		MS20364-428	NUT (USE WITH 5102283-5)						1	
	-11	5102383-4	LAP BELT ASSY (INBOARD - AFT)						2	
			(ATTACHING PARTS)							
	-12	AN5-23A	BOLT						1	
		5102330-3	SPACER						1	
		AN960-516L	WASHER						1	
		MS20365-524	NUT						1	
	-13	5102331-4	BRACKET (USE WITH 5102383-2)						2	
			(ATTACHING PARTS)							
	-14	AN3-11A	BOLT						1	
		AN960-10L	WASHER						1	
	-15	GP630	PLUG (V97945)						2	
	-16	5102383-3	SHOULDER BELT ASSY (FWD)						2	
	-17	5102383-6	SHOULDER BELT ASSY (AFT)						2	
			(ATTACHING PARTS FOR INDEX NUMBERS -16 AND -17)							
	-18	MS27039-5-14	SCREW						1	
		5102331-17	SPACER						1	
	-19	102353-501	BAGGAGE STRAP ASSY						2	
	-20	102353-502	BAGGAGE STRAP ASSY						2	
			(ATTACHING PARTS FOR INDEX NUMBERS -19 AND -20)							
	-21	NAS221-13	SCREW						1	
		AN960-106	WASHER						1	
		902017-2	BUSHING						1	
		AN960-416	WASHER						1	
		MS20364-1032	NUT						1	

AA-5 SERIES  
ILLUSTRATED PARTS CATALOG

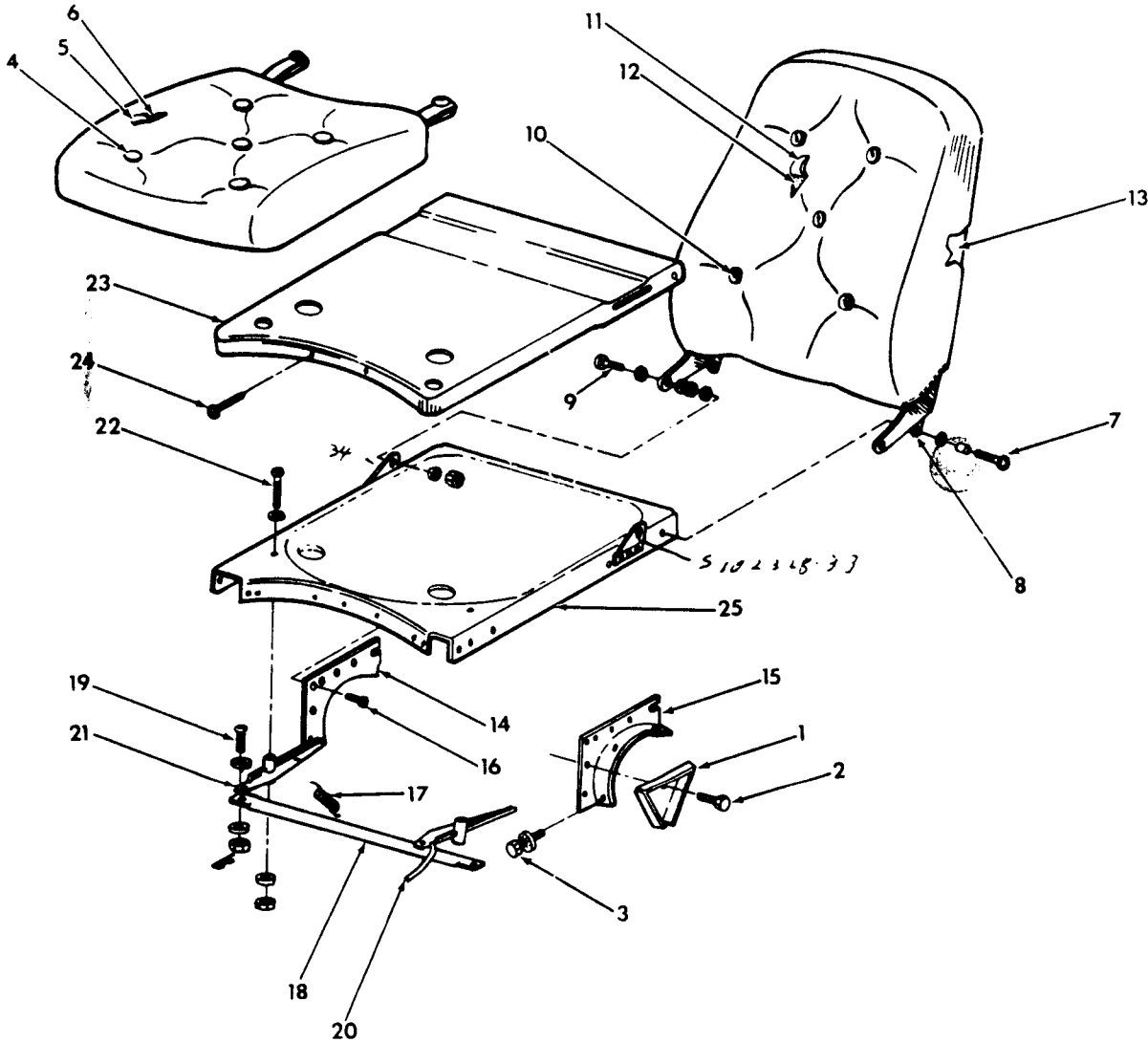
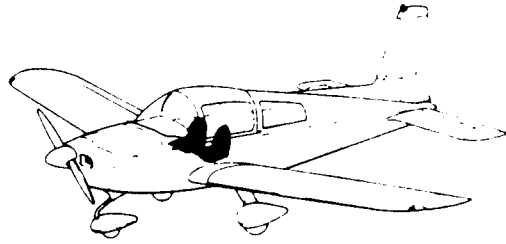


Front Seat Installation (1977 Models)  
Figure 25-2

25G54-2



AA-5 SERIES  
ILLUSTRATED PARTS CATALOG



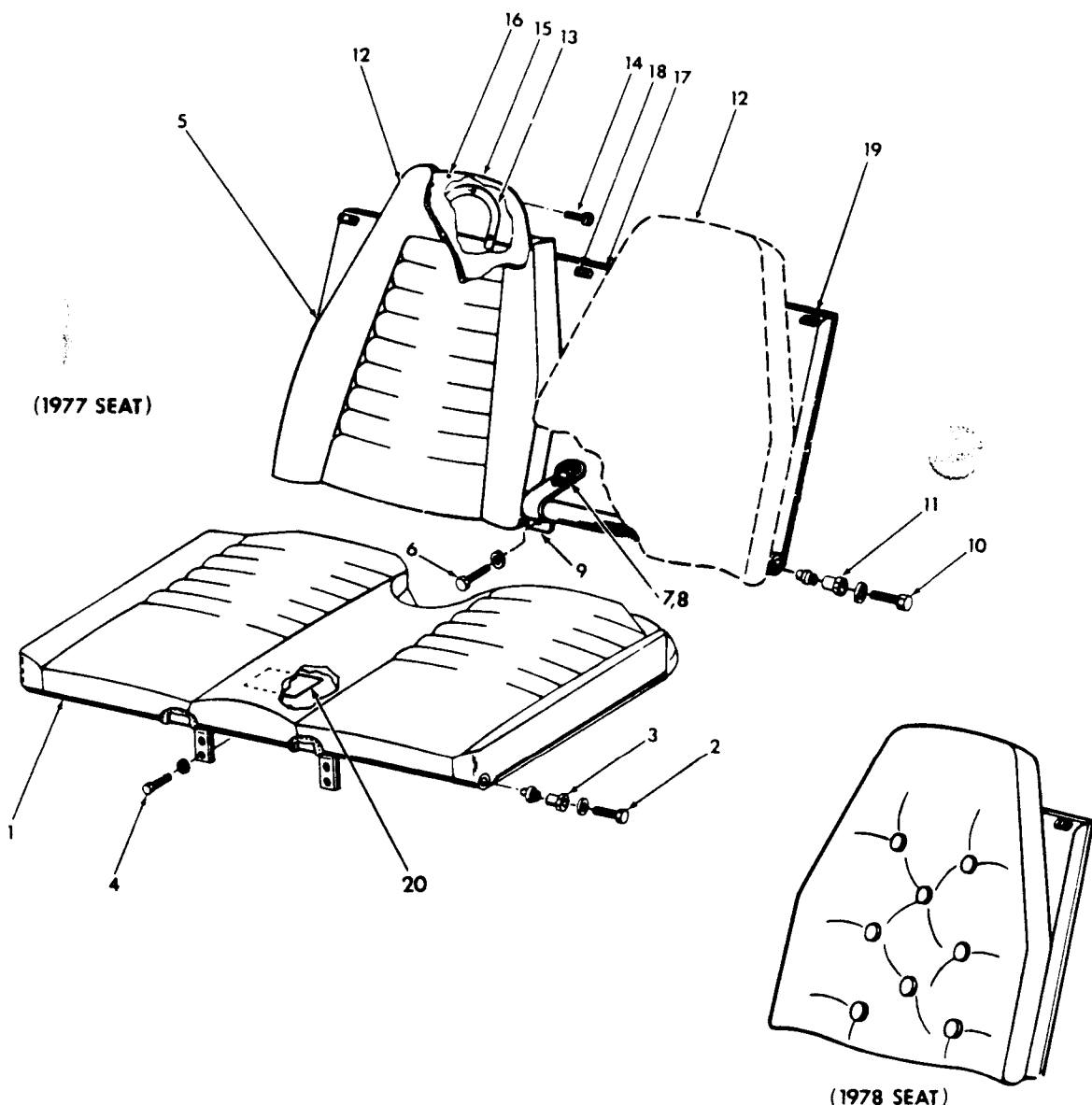
A25G54-3

Front Seat Installation (1978 Models)  
Figure 25-3

AA-5 SERIES  
ILLUSTRATED PARTS CATALOG

Figure & Index No.	Part Number	Nomenclature 1 2 3 4 5 6 7	Units Per Assy	Usable On Code	
				A	B
25- 3 -	5102352-506	FRONT SEAT INSTALLATION (1978 MODELS)	NP	A	R
	5102352-508	FRONT SEAT INSTALLATION (1978 MODELS)	NP	B	
	5102340-509	SEAT ASSY (LH)	1		
	5102340-510	SEAT ASSY (RH)	1		
		(ATTACHING PARTS)			
- 1	5102332-1	REINFORCEMENT	2		
- 2	AN3-4A	BOLT	4		
	AN960-10L	WASHER	4		
	MS20364-1032	NUT	4		
- 3	AN3-6A	BOLT	6		
	MS35333-39	WASHER	12		
	5102340-902	SEAT BOTTOM CUSHION ASSY	1		
- 4	5102340-519	BUTTON ASSY	10		
- 5	5102340-513	COVER ASSY	1		
- 6	5102340-511	PAD ASSY	1		
	5102340-901	SEAT BACK CUSHION ASSY	1		
		(ATTACHING PARTS)			
- 7	NAS222-13	SCREW	2		
	5102340-89	BUSHING	2		
	AN960-416L	WASHER	2		
- 8	5102340-91	SPACER	2		
- 9	NAS221-10	SCREW	2		
	5102340-89	BUSHING	2		
	AN960-516	WASHER	4		
	AN960-416L	WASHER	4		
	1/4-28	ACORN NUT (LOCTITE)	2		
	5102340-519	BUTTON ASSY	16		
-11	5102340-517	COVER ASSY	1		
-12	5102340-515	CUSHION ASSY	1		
-13	5102324-505	FRAME ASSY	1		
-14	5102329-1	SUPPORT (USE ON 5102340-509)	1		
	5102329-4	SUPPORT (USE ON 5102340-510)	1		
-15	5102329-2	SUPPORT (USE ON 5102340-510)	1		
	5102329-3	SUPPORT (USE ON 5102340-509)	1		
		(ATTACHING PARTS FOR INDFX NUMBERS -14 AND -15)			
-16	AN24-8A	BOLT	1		
		(ATTACHING PARTS)			
-17	LE-055F-5	SPRING (V84830)	1		
-18	5102328-10	LINK	1		
		(ATTACHING PARTS)			
-19	AN23-8	BOLT	2		
	AN960-10L	WASHER	4		
	AN320-3	NUT	2		
	MS24665-132	COTTER PIN	2		
-20	5102328-505	PAWL ASSY (USE ON 5102340-509)	1		
	5102328-506	PAWL ASSY (USE ON 5102340-510)	1		
-21	5102328-507	PAWL ASSY	1		
		(ATTACHING PARTS FOR INDEX NUMBERS -20 AND -21)			
-22	MS35207-270	SCREW	1		
	AN960-10L	WASHER	2		
	MS20364-1032	NUT	1		
-23	5102349-17	COVER	1		
		(ATTACHING PARTS)			
-24	GAES1021Z6-8	SCREW	4		
-25	5102328-513	SEAT BOTTOM ASSY	1		
		* = WHEN ORDERING SEAT OR SEAT CUSHIONS, STATE YEAR, MODEL, AND UPHOLSTERY COLOR ON ORDER.			
		A = AA5A-0283 THRU 0522 AA5B-0400 THRU 0692			R
		B = AA5A-0523 AND SUBSEQUENT AA5B-0693 AND SUBSEQUENT			R

AA-5 SERIES  
ILLUSTRATED PARTS CATALOG



A25G54-4

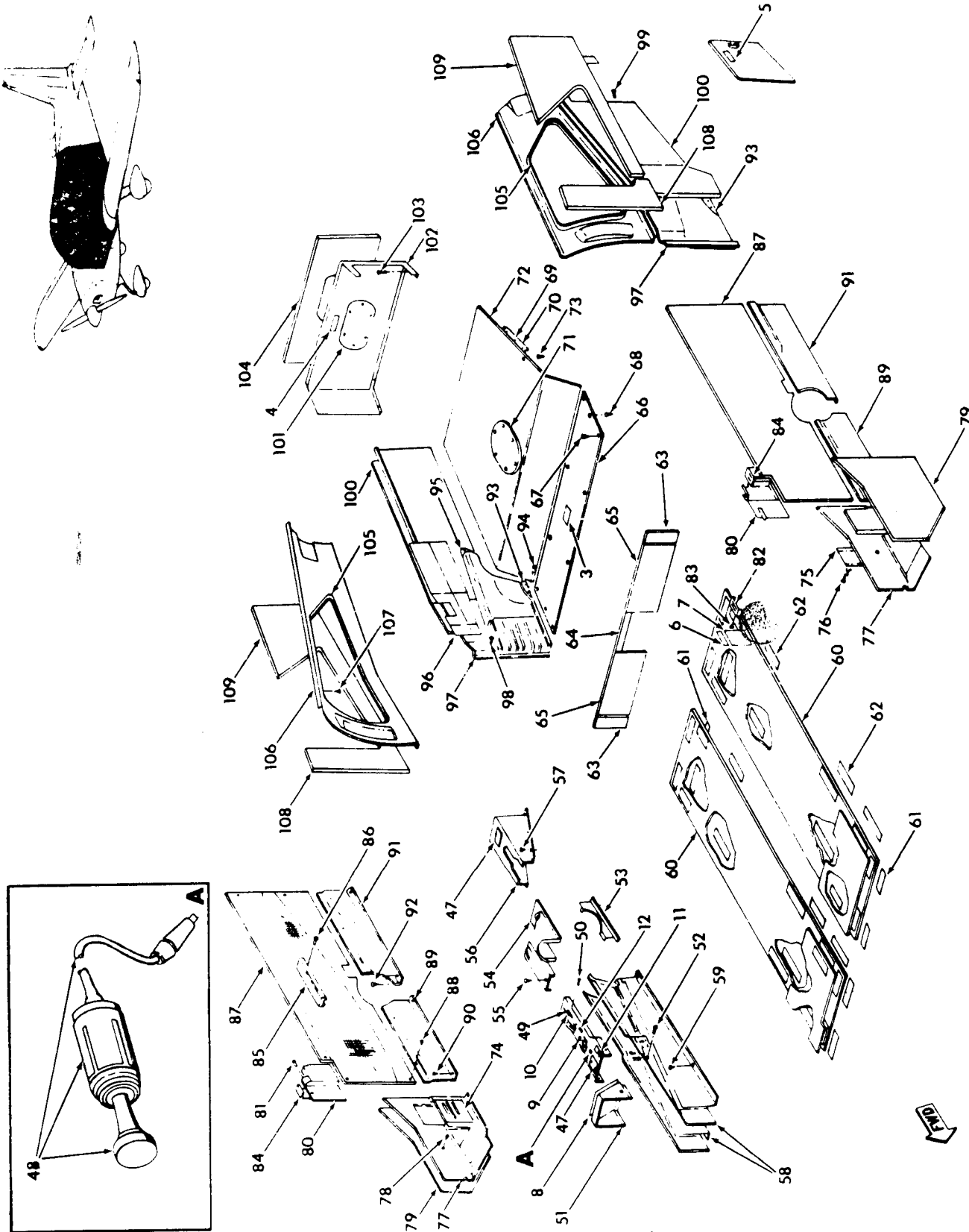
Rear Seat Installation  
Figure 25-4





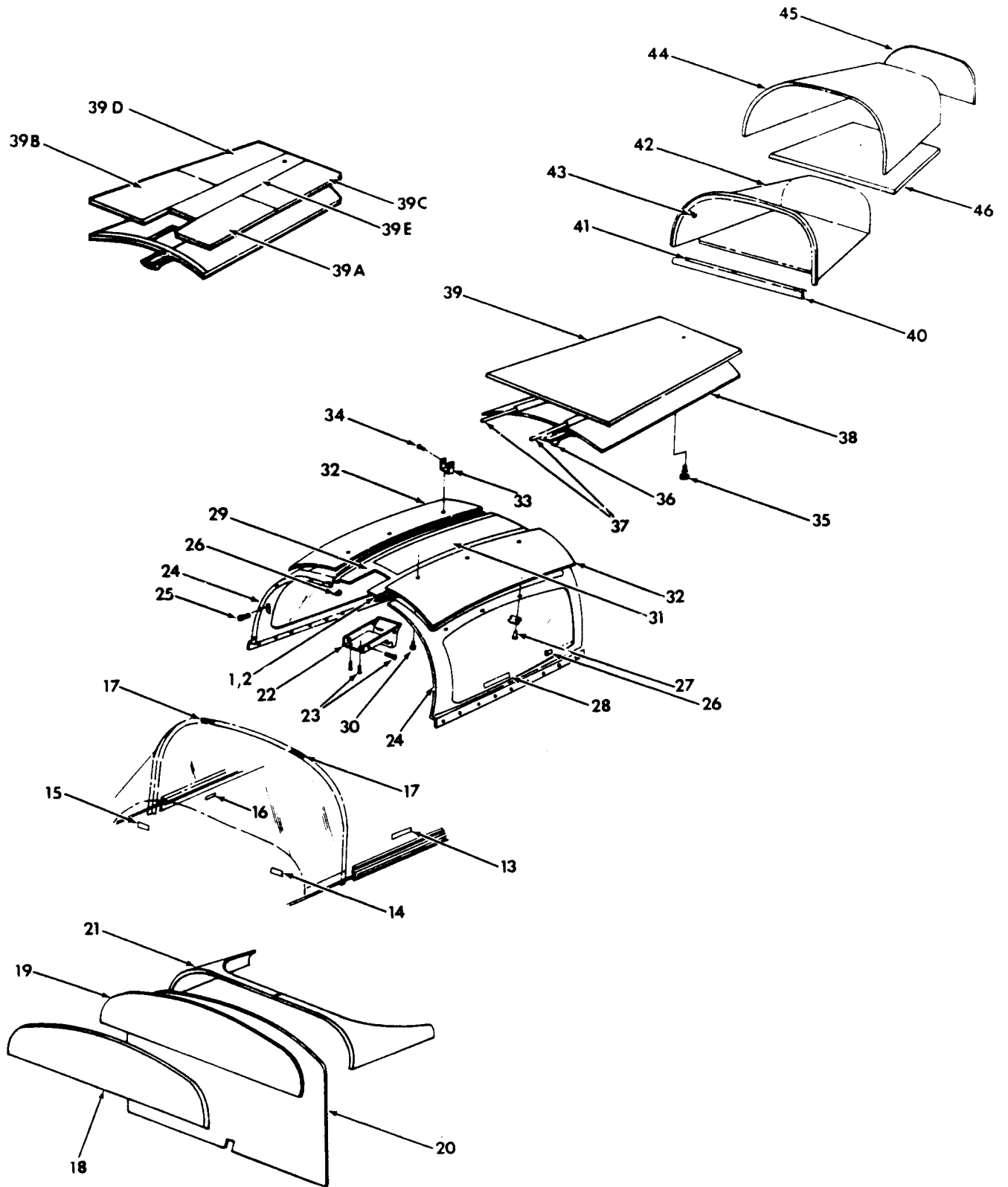
AA-5 SERIES  
ILLUSTRATED PARTS CATALOG

A25G54-5-1



Insulation and Upholstery Installation (1977 Models)  
Figure 25-5 (Sheet 1 of 2)

AA-5 SERIES  
ILLUSTRATED PARTS CATALOG



Insulation and Upholstery Installation (1977 Models)  
Figure 25-5 (Sheet 2 of 2)

A25G54-5-2

AA-5 SERIES  
ILLUSTRATED PARTS CATALOG

Figure & Index No.	Part Number	Nomenclature	Units Per Assy	Usable On Code		
				1	2	
25-5	5102353-503	INSULATION AND UPHOLSTERY INSTALLATION	NP	**	A	
	5102353-505	INSULATION AND UPHOLSTERY INSTALLATION	NP	**	B	
	5102353-504	INSULATION AND UPHOLSTERY INSTALLATION (OPTIONAL)	AR	**	A	
	5102353-506	INSULATION AND UPHOLSTERY INSTALLATION (OPTIONAL)	AR	**	B	
	5102353-512	INSULATION AND UPHOLSTERY INSTALLATION (OPTIONAL)	AR	**	E	
	5102353-513	INSULATION AND UPHOLSTERY INSTALLATION (OPTIONAL)	AR	**	F	
	- 1	5803007-23	PLACARD - CANOPY LATCH	1	.	.
	- 2	5803007-24	PLACARD - CANOPY LATCH	1	.	.
	- 3	5803007-26	PLACARD - COVER	1	.	.
	- 4	5803007-44	PLACARD - BAGGAGE	1	.	.
	- 5	5803007-45	PLACARD - BAGGAGE DOOR	1	.	.
	- 6	5803007-28	PLACARD - WEIGHT AND BALANCE	1	.	.
	- 7	5803007-103	PLACARD - OPERATIONS	1	.	A
	- 8	5803007-96	PLACARD - OPERATIONS	1	.	B
		5803007-105	PLACARD - FUEL SELECTOR	1	.	H
		5803006-2	PLACARD - FUEL SELECTOR	1	.	G
		5803007-104	PLACARD - FUEL SELECTOR	1	.	I
	- 9	5803006-1	PLACARD - FUEL SELECTOR	1	.	G
		5803007-86	PLACARD - FLAP SWITCH	1	.	.
	- 10	5803007-87	PLACARD - TRIM	1	.	.
	- 11	5803007-100	PLACARD - MICROPHONE JACK	1	.	.
	- 12	5803007-85	PLACARD - FLAP POSITION	1	.	.
- 13	5803007-94	PLACARD - CANOPY LIMIT	1	.	.	
- 14	5803013-1	PLACARD - AIRCRAFT IDENT	1	.	.	
- 15	5803007-7	PLACARD - TIRE PRESSURE	1	.	A	
	5803007-49	PLACARD - TIRE PRESSURE	1	.	B	
- 16	5803007-107	PLACARD - LEVEL	1	.	.	
- 17	803007-23	PLACARD - HAND HOLD	2	.	.	
- 18	5102385-17	INSULATION	1	.	.	
- 19	102344-41	INSULATION	1	.	.	
- 20	102344-1	INSULATION	1	.	.	
- 21	5102385-23	INSULATION	1	.	.	
- 22	5102344-54	CANOPY LATCH COVER (ATTACHING PARTS)	1	.	.	
- 23	GAES1021A4-6	SCREW	4	.	.	
	GAES1021A4-10	SCREW	2	.	.	
- 24	5102344-61	MOULDING (LH)	1	.	.	
	5102344-62	MOULDING (RH) (ATTACHING PARTS)	1	.	.	
- 25	GAES1023A4-8C	SCREW	3	.	.	
- 26	C15263-4-1	CLIPNUT (V78533)	3	.	.	
	1601-0410	RIVET (V19738)	8	.	.	
- 27	GAES1021Z6-6	SCREW	4	.	.	
	5102282-501	CLIP	4	.	.	
- 28	GAES413-2-98	SEAL	2	.	.	
- 29	5102353-40	CENTER COVER	1	.	D	
	5102353-55	CENTER COVER (ATTACHING PARTS)	1	.	EF	
- 30	GAES1021A4-6	SCREW	8	.	.	
- 31	5102385-11	INSULATION (CENTER)	1	.	.	
- 32	5102385-13	INSULATION (LH)	1	.	.	
	5102385-14	INSULATION (RH)	1	.	.	
- 33	5102344-10	CLIP (ATTACHING PARTS)	10	.	.	
- 34	1601-0410	RIVET (V19738)	2	.	.	
- 35	GAES203-2	COAT HANGER HOOK	1	.	.	
	AN341-10	NUT	1	.	.	
	AN960-3	WASHER	1	.	.	
- 36	5102354-501	DOME LIGHT INSTALLATION (SEE FIGURE 33-2 FOR DETAIL BREAKDOWN.)	NP	.	.	
- 37	5102344-25	TUBE	2	.	.	

AA-5 SERIES  
ILLUSTRATED PARTS CATALOG

Figure & Index No.	Part Number	Nomenclature	Units	Usable
			Per Assy	On Code
25- 5	- 38	5102344-57	1	C
		5102353-46	1	O
	- 39	5102344-24	1	C
	- 39A	5102353-41	1	C
	- 39B	5102353-42	1	O
	- 39C	5102353-43	1	D
	- 39D	5102353-44	1	D
	- 39E	5102353-45	1	D
	- 40	5102353-28	1	D
		5102353-54	1	F
		(ATTACHING PARTS)		
- 41	GAES1021A4-6	SCREW	3	
		(ATTACHING PARTS)		
- 42	5102353-1	HAT SHELF	1	D
	5102353-47	HAT SHELF	1	F
		(ATTACHING PARTS)		
- 43	GAES1021A4-6	SCREW	11	
		(ATTACHING PARTS)		
- 44	5102353-18	INSULATION	1	
- 45	5102353-19	INSULATION	1	
- 46	5102353-17	INSULATION	1	
- 47	S16AR-RT-CC	ASH TRAY (V31758)	2	
- 48	NO NUMBER	CIGAR LIGHTER	NP	
	201685	POPOUT UNIT (V10966)	1	
	200402	CORD ASSY (V10966)	1	
	204405	HOUSING ASSY (V10966)	1	
- 49	5102353-23	CONSOLE TOP	1	
		(ATTACHING PARTS)		
- 50	GAES1021A6-6B	SCREW	6	
		(ATTACHING PARTS)		
- 51	5102344-34	CONSOLE FRONT	1	
		(ATTACHING PARTS)		
- 52	GAES1021A6-6B	SCREW	2	
		(ATTACHING PARTS)		
- 53	5102384-501	PANEL ASSY (LH)	1	
	5102384-502	PANEL ASSY (RH)	1	
- 54	5102353-37	CONSOLE CENTER	1	
		(ATTACHING PARTS)		
- 55	AN526-832R5	SCREW	3	
		(ATTACHING PARTS)		
- 56	5102373-508	CONSOLE ASSY (AFT)	1	
		(ATTACHING PARTS)		
- 57	GAES1021A4-6	SCREW	8	
		(ATTACHING PARTS)		
- 58	5102344-36	CONSOLE (LH)	1	
	5102344-32	CONSOLE (RH)	1	
		(ATTACHING PARTS)		
- 59	GAES1021A4-6	SCREW	2	
		(ATTACHING PARTS)		
- 60	5102353-507	CARPET ASSY (LH)	1	
	5102353-508	CARPET ASSY (RH)	1	
- 61	GAES419-1.0H3.0A	TAPE - HOOK	12	
- 62	GAES419-1.0H5.0A	TAPE - HOOK	8	
- 63	5102353-38	CARPET	2	
- 64	5102353-39	CARPET	1	
- 65	5102353-32	CARPET	2	
- 66	5102344-9	COVER	1	
		(ATTACHING PARTS)		
- 67	GAES1021A6-6B	SCREW	4	
- 68	X2-10128	BUTTON (VICTOR)	6	
	XB-10224	SOCKET (VICTOR)	6	
	XX-10362	STUD (VICTOR)	6	
		(ATTACHING PARTS)		
- 69	5102360-1	SILL	1	
		(ATTACHING PARTS)		
- 70	GAES1021A6-6C	SCREW	10	
		(ATTACHING PARTS)		
- 71	5102373-507	INSPECTION COVER ASSY	1	

AA-5 SERIES  
ILLUSTRATED PARTS CATALOG

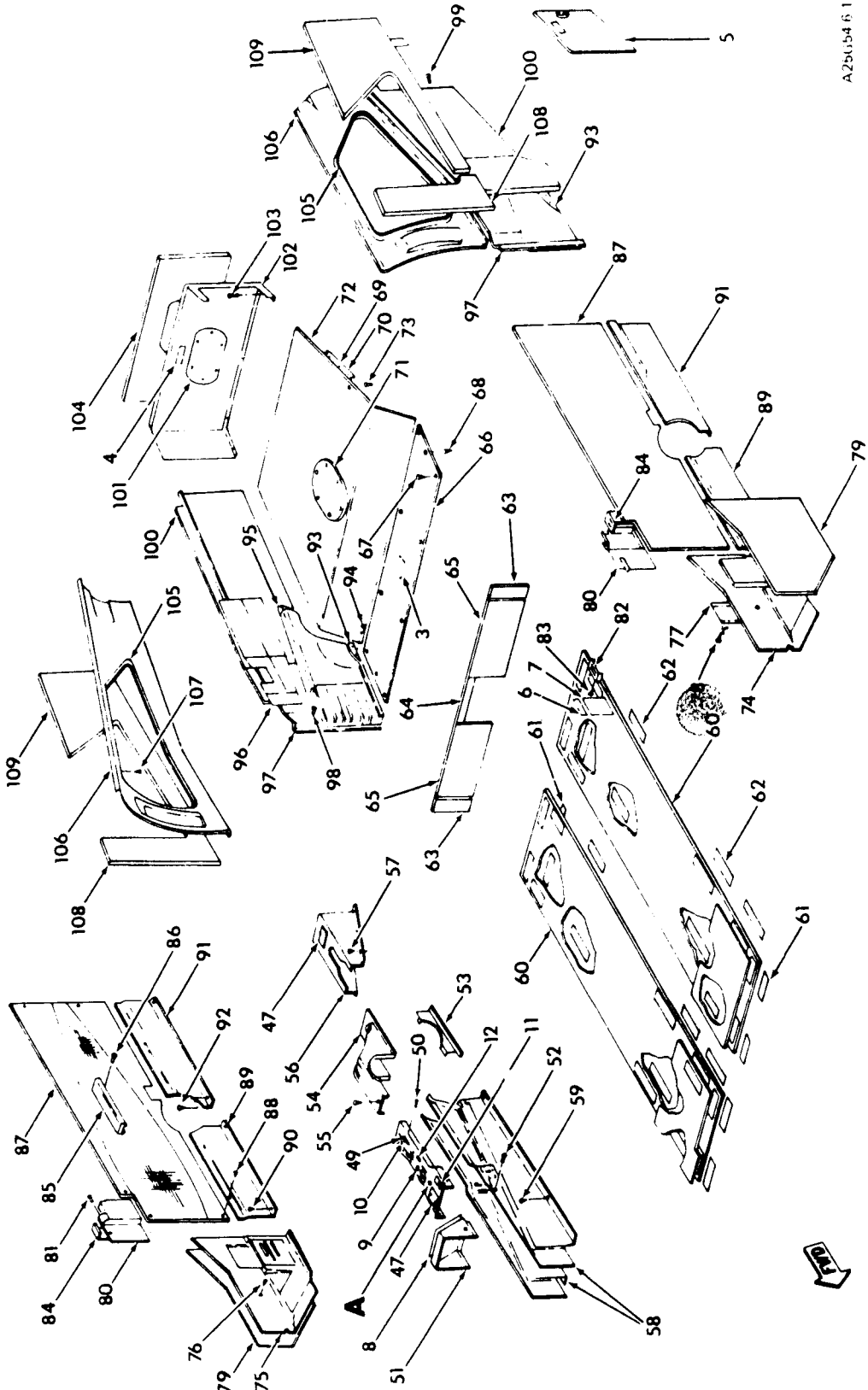
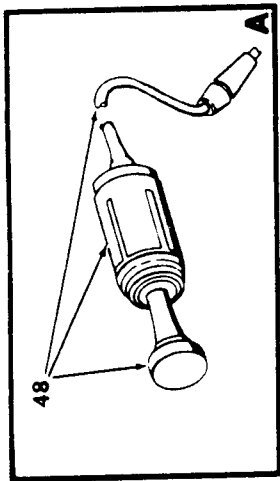
Figure & Index No.	Part Number	Nomenclature	Units	Usable		
			Per Assy	On Code		
		1 2 3 4 5 6 7				
25- 5	- 72	5102353-22	BAGGAGE FLOOR	1	A	R
		5102353-35	CARPET ASSY	1	B	
	- 73	XX-10362	STUD (USE WITH 5102353-35)	11	B	R
	- 74	5102344-45	KICK PANEL POCKET	2		R
	- 75	4X6	ENVELOPE (ANGLERS CO.)	1		
			(ATTACHING PARTS)			
	- 76	PC47-129	RIVET (ANGLERS CO.)	4		R
			-----			
	- 77	5102344-503	KICK PANEL (LH)	1		
		5102344-504	KICK PANEL (RH)	1		
			(ATTACHING PARTS)			
	- 78	GAES1021A4-10	SCREW	2		
			-----			
	- 79	5102353-29	INSULATION (LH)	1		
		5102353-30	INSULATION (RH)	1		
	- 80	5102338-503	COVER ASSY (LH)	1		
		5102338-502	COVER ASSY (RH)	1		
			(ATTACHING PARTS)			
	- 81	GAES1021A6-6B	SCREW	2		
			-----			
	- 82	5102338-7	MOULDING (RH)	1		
			(ATTACHING PARTS)			
	- 83	GAES1021A6-6B	SCREW	2		
			-----			
	- 84	5102345-5	SUPPORT (LH)	1		
		5102345-4	SUPPORT (RH)	1		
	- 85	5102343-501	ARM REST ASSY (FWD)	2		
			(ATTACHING PARTS)			
	- 86	AN526-1032R10	SCREW	3		
		AN936B10	WASHER	3		
		AN970-3	WASHER	3		
			-----			
	- 87	5102293-1	SIDE PANEL (LH)	1		
		5102293-2	SIDE PANEL (RH)	1		
		5102293-3	SIDE PANEL (LH - OPTIONAL)	AR		
		5102293-4	SIDE PANEL (RH - OPTIONAL)	AR		
			(ATTACHING PARTS)			
	- 88	GAES1022Z6-6	SCREW	2		
		C148	WASHER (V57771)	2		
			-----			
	- 89	5102373-503	COVER ASSY (LH - FWD)	1		
		5102373-504	COVER ASSY (RH - FWD)	1		
			(ATTACHING PARTS)			
	- 90	GAES1021A4-6	SCREW	3		
			-----			
	- 91	5102373-505	COVER ASSY (LH - AFT)	1		
		5102373-506	COVER ASSY (RH - AFT)	1		
			(ATTACHING PARTS)			
	- 92	GAES1021A4-6	SCREW	2		
			-----			
	- 93	5102344-47	COVER (LH)	1		
		5102344-46	COVER (RH)	1		
			(ATTACHING PARTS)			
	- 94	1601-0410	RIVET (V19738)	2		
			-----			
	- 95	5102373-509	ARM REST ASSY (LH)	1		
		5102373-510	ARM REST ASSY (RH)	1		
	- 96	5102321-501	PANEL ASSY (LH)	1		
		5102321-502	PANEL ASSY (RH)	1		
		5102321-503	PANEL ASSY (LH) (OPTIONAL)	AR		
		5102321-504	PANEL ASSY (RH) (OPTIONAL)	AR		

AA-5 SERIES  
ILLUSTRATED PARTS CATALOG

Figure & Index No.	Part Number	Nomenclature	Units Per Assy	Usable On Code		
				1	2	
25- 5 - 97	5102353-3	PANEL (LH - AFT)	1		AB	R
	5102353-49	PANEL (LH - AFT)	1		EF	R
	5102353-4	PANEL (RH - AFT)	1		AB	R
	5102353-50	PANEL (RH - AFT)	1		EF	R
		(ATTACHING PARTS)				
- 98	GAES1022Z6-6	SCREW	2			
	C148	WASHER (V57771)	2			
- 99	GAES1021A4-6	SCREW (USE WITH 5102353-3)	6			
		-----				
-100	5102353-21	INSULATION	1			
	5102353-20	INSULATION	1			
-101	5102373-511	INSPECTION COVER ASSY	1		D	R
	5102373-513	INSPECTION COVER ASSY	1		D	R
-102	5102353-2	CLOSURE WEB	1		EF	R
	5102353-48	CLOSURE WEB	1			
		(ATTACHING PARTS)				
-103	CAES1021A4-6	SCREW	5			
		-----				
-104	5102353-8	INSULATION	1			
-105	GAES413-1-92	MOULDING	2		D	R
-106	5102353-5	MOULDING (LH)	1		EF	R
	5102353-51	MOULDING (LH)	1		D	R
	5102353-6	MOULDING (RH)	1		EF	R
	5102353-52	MOULDING (RH)	1			
		(ATTACHING PARTS)				
-107	GAES1021A4-6	SCREW	12			
		-----				
-108	5102353-11	INSULATION (LH - FWD)	1			
	5102353-12	INSULATION (RH - FWD)	1			
-109	5102353-9	INSULATION (LH - AFT)	1			
	5102353-10	INSULATION (RH - AFT)	1			
		A = AA5A-0283 THRU AA5A-0522				
		B = AA5B-0400 THRU AA5B-0692				
		C = AA5A-0283 THRU AA5A-0294 AA5B-0400 THRU AA5B-0412				
		D = AA5A-0295 THRU AA5A-0522 AA5B-0413 THRU AA5B-0692				
		E = AA5A-0523 AND SUBSEQUENT				R
		F = AA5B-0693 AND SUBSEQUENT				R
		G = AA5A-0283 THRU 0522 AND 0610 AND SUBSEQUENT (OPT) AND AA5B-0400 THRU 0692 AND 0805 AND SUBSEQUENT				R R R R
		H = AA5B-0693 THRU 0804				R
		I = AA5A-0523 THRU 0609				R
		* = REFER TO CHAPTER 11 FOR PLACARDS				
		** = WHEN ORDERING INTERIOR TRIM, STATE YEAR, MODEL, AND INTERIOR TRIM COLOR ON ORDER.				

AA-5 SERIES  
ILLUSTRATED PARTS CATALOG

A25UG54 6 1

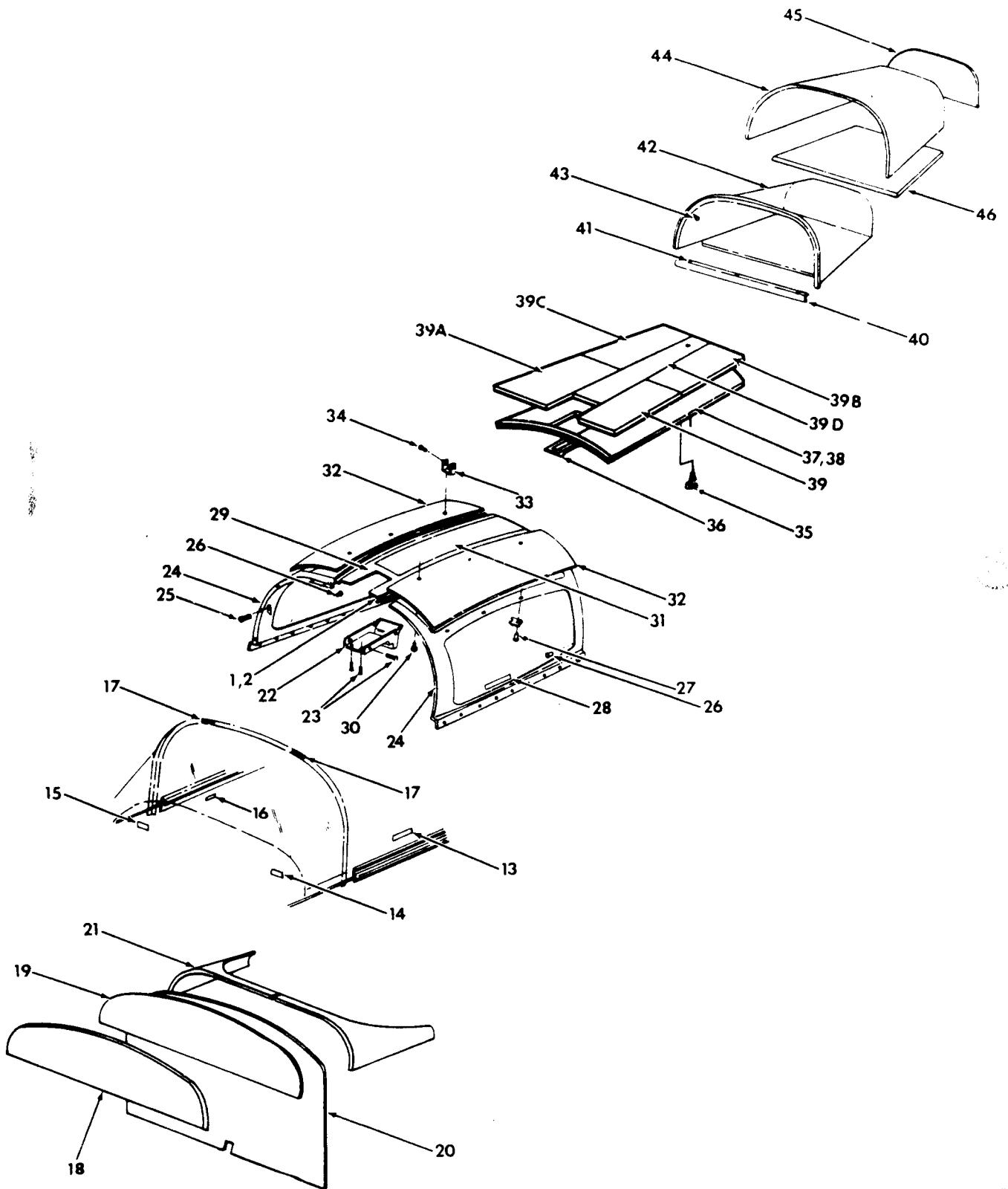


Insulation and Upholstery Installation (1978 Models)  
Figure 25-6 (Sheet 1 of 2)





AA-5 SERIES  
ILLUSTRATED PARTS CATALOG



Insulation and Upholstery Installation (1978 Models)  
Figure 25-6 (Sheet 2 of 2)

A25G54-6-2

AA-5 SERIES  
ILLUSTRATED PARTS CATALOG

Figure & Index No.	Part Number	Nomenclature 1 2 3 4 5 6 7	Units Per Assy	Usable
				On Code
25- 6	5102353-510	INSULATION AND UPHOLSTERY INSTALLATION (1978 MODELS)	NP	** A
	5102353-509	INSULATION AND UPHOLSTERY INSTALLATION (1978 MODELS)	NP	** B
- 1	5803007-23	PLACARD - CANOPY LATCH	1	.
- 2	5803007-24	PLACARD - CANOPY LATCH	1	.
- 2A	5803007-119	PLACARD - CANOPY UNLOCK	1	.
- 3	5803007-26	PLACARD - COVER	1	.
- 4	5803007-44	PLACARD - BAGGAGE	1	.
- 5	5803007-45	PLACARD - BAGGAGE DOOR	1	.
- 6	5803007-28	PLACARD - WEIGHT AND BALANCE	1	.
- 7	5803007-103	PLACARD - OPERATIONS	1	A
	5803007-96	PLACARD - OPERATIONS	1	B
- 8	5803006-105	PLACARD - FUEL SELECTOR	1	D
	5803006-2	PLACARD - FUEL SELECTOR	1	F
	5803006-104	PLACARD - FUEL SELECTOR	1	C
	5803006-1	PLACARD - FUEL SELECTOR	1	E
- 9	5803007-86	PLACARD - FLAP SWITCH	1	.
- 10	5803007-87	PLACARD - TRIM	1	.
- 11	5803007-100	PLACARD - MICROPHONE JACK	1	.
- 12	5803007-85	PLACARD - FLAP POSITION	1	.
- 13	5803007-94	PLACARD - CANOPY LIMIT	1	.
- 14	5803013-1	PLACARD - AIRCRAFT IDENT	1	.
- 15	5803007-7	PLACARD - TIRE PRESSURE	1	A
	5803007-49	PLACARD - TIRE PRESSURE	1	B
- 16	5803007-107	PLACARD - LEVEL	1	.
- 17	5803007-23	PLACARD - HAND HOLD	2	.
- 18	5102385-17	INSULATION	1	.
- 19	102344-41	INSULATION	1	.
- 20	102344-1	INSULATION	1	.
- 21	5102385-29	INSULATION(RH)	1	.
	5102385-30	INSULATION(LH)	1	.
- 22	5102344-54	CANOPY LATCH COVER	1	A
	5102344-65	CANOPY LATCH COVER (ATTACHING PARTS)	1	B
- 23	GAES1021A4-6	SCREW	4	.
	GAES1021A4-10	SCREW	2	.
- 24	5102344-61	MOULDING (LH)	1	A
	5102344-66	MOULDING (LH)	1	B
	5102344-62	MOULDING (RH)	1	A
	5102344-67	MOULDING (RH) (ATTACHING PARTS)	1	B
- 25	GAES1023A4-8C	SCREW	3	.
	C15263-4-1	CLIPNUT (V78533)	3	.
- 26	1601-0410	RIVET (V19738)	8	.
- 27	GAES1021Z6-6	SCREW	4	.
	5102282-501	CLIP ASSY	5	.
- 28	GAES413-2-98	SEAL	2	.
- 29	5102353-40	CENTER COVER	1	A
	5102353-55	CENTER COVER (ATTACHING PARTS)	1	B
- 30	GAES1021A4-6	SCREW	8	.
- 31	5102385-503	HEADLINER (CENTER)	1	.
- 32	5102385-501	HEADLINER ASSY (LH)	1	.
	5102385-502	HEADLINER ASSY (RH)	1	.
- 33	5102344-10	CLIP (ATTACHING PARTS)	10	.
- 34	1601-0410	RIVET (V19738)	2	.
- 35	GAES203-2	COAT HANGER HOOK	1	.
	AN341-10	NUT	1	.
	AN960-3	WASHER	1	.
- 36	5102354-503	DOME LIGHT INSTALLATION (SEE FIGURE 33-2 FOR DETAIL BREAKDOWN.)	NP	.
- 37	5102353-511	HEADLINER ASSY	1	.
- 38	5102353-57	HEADLINER COVER	1	.
	5102353-58	INSULATION PAD	1	.

R  
R  
R  
R  
R



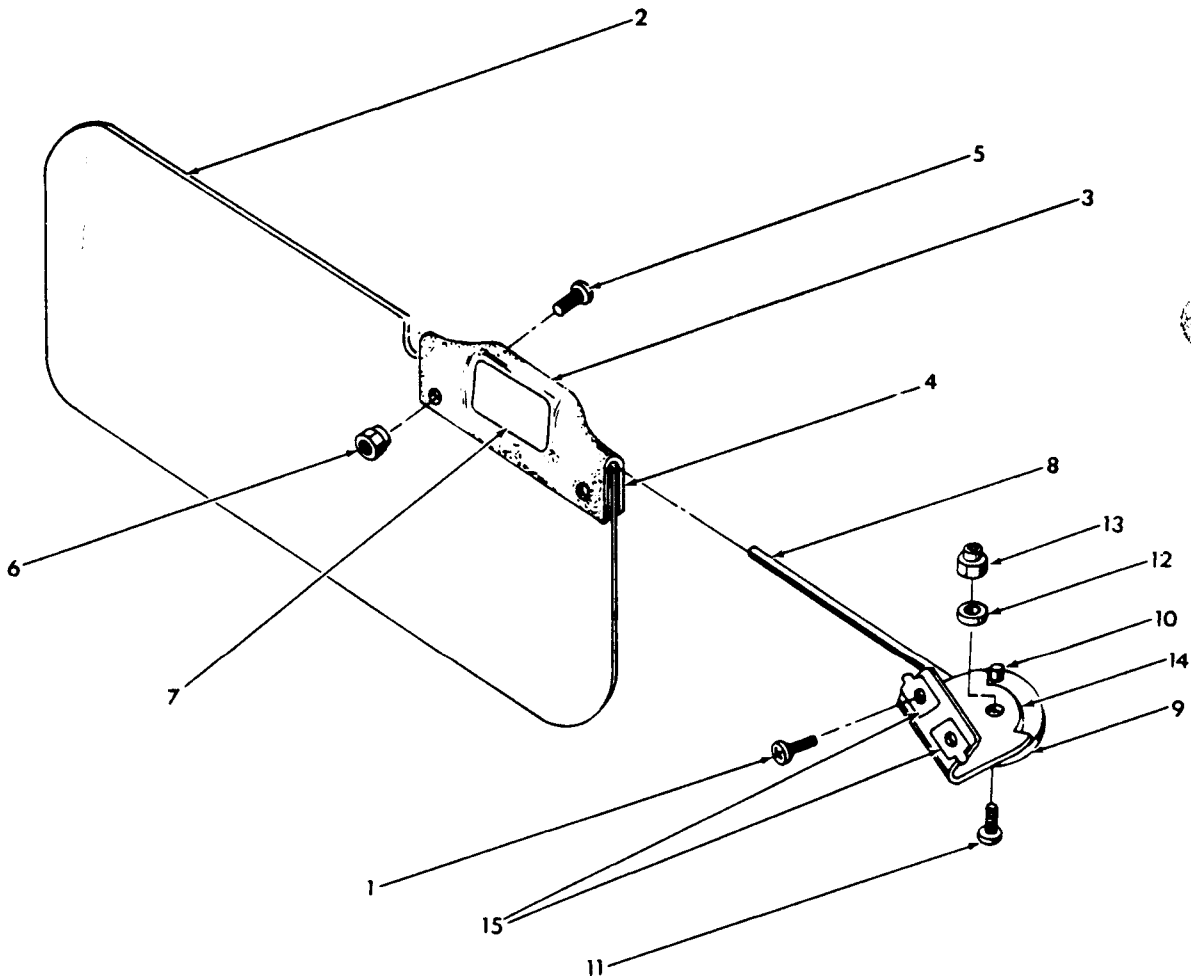
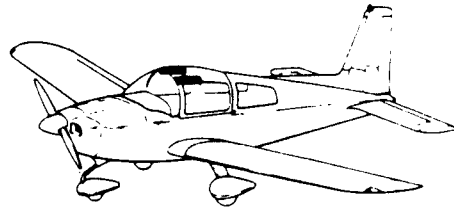


AA-5 SERIES  
ILLUSTRATED PARTS CATALOG

Figure & Index No.	Part Number	Nomenclature							Units Per Assy	Usable On Code
		1	2	3	4	5	6	7		
25- 6 - 97	5102353-3	PANEL (LH - AFT)							1	A
	5102353-49	PANEL (LH - AFT)							1	B
	5102353-4	PANEL (RH - AFT)							1	A
	5102353-50	PANEL (RH - AFT)							1	B
		(ATTACHING PARTS)								
- 98	GAES1022Z6-6	SCREW							2	
	C148	WASHER (V57771)							2	
- 99	GAES1021A4-6	SCREW (USE WITH 5102353-3)							6	
-100	5102353-21	INSULATION							1	
	5102353-20	INSULATION							1	
-101	5102373-511	INSPECTION COVER ASSY							1	G
	5102373-513	INSPECTION COVER ASSY							1	B
-102	5102353-2	CLOSURE WEB							1	A
	5102353-48	CLOSURE WEB							1	B
		(ATTACHING PARTS)								
-103	GAES1021A4-6	SCREW							5	
-104	5102353-8	INSULATION							1	
-105	GAES413-1-92	MOULDING							2	
-106	5102353-5	MOULDING (LH)							1	A
	5102353-51	MOULDING (LH)							1	B
	5102353-6	MOULDING (RH)							1	A
	5102353-52	MOULDING (RH)							1	E
		(ATTACHING PARTS)								
-107	GAES1021A4-6	SCREW							12	
-108	5102353-11	INSULATION (LH - FWD)							1	
	5102353-12	INSULATION (RH - FWD)							1	
-109	5102353-9	INSULATION (LH - AFT)							1	
	5102353-10	INSULATION (RH - AFT)							1	
		A = AA5A-0523 AND SUBSEQUENT								
		B = AA5B-0693 AND SUBSEQUENT								
		C = AA5A-0523 THRU 0609								
		D = AA5B-0693 THRU 0804								
		E = AA5A-0610 AND SUBSEQUENT								
		F = AA5B-0805 AND SUBSEQUENT								
		G = AA5B-0400 THRU 0692								
		* = REFER TO CHAPTER 11 FOR PLACARDS.								
		** = WHEN ORDERING INTERIOR TRIM, STATE YEAR, MODEL, AND INTERIOR TRIM COLOR ON ORDER.								

R  
R  
R  
R  
R

AA-5 SERIES  
ILLUSTRATED PARTS CATALOG



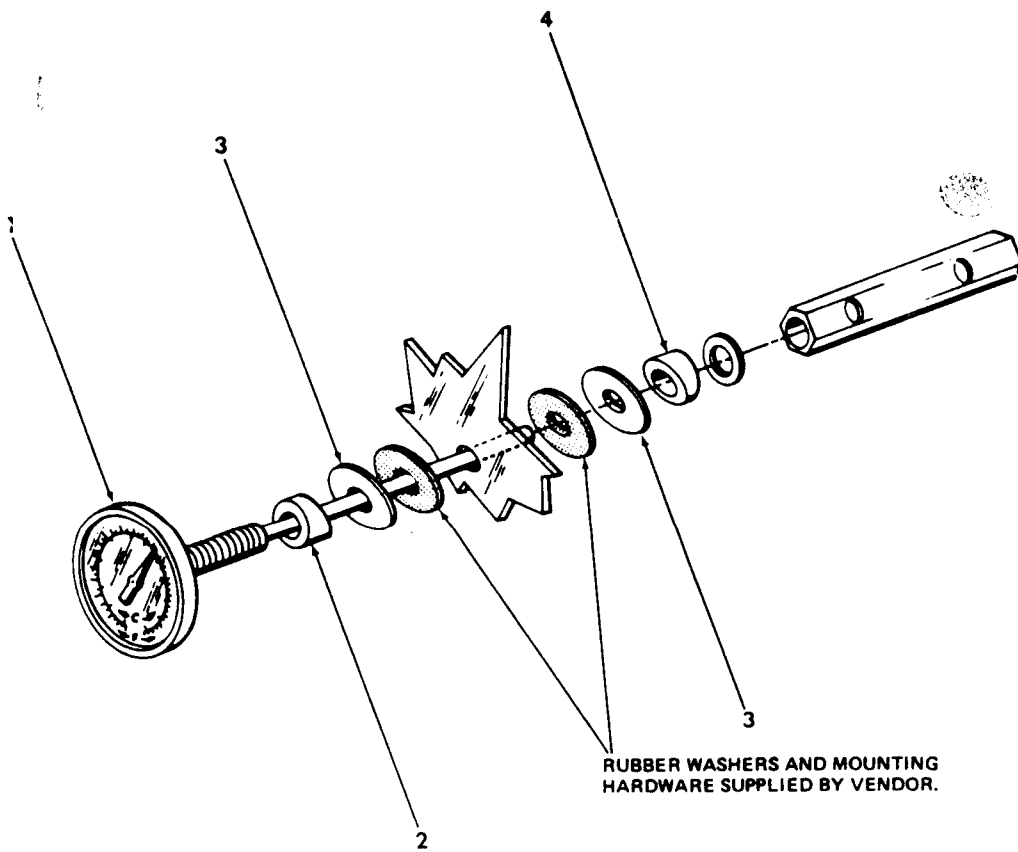
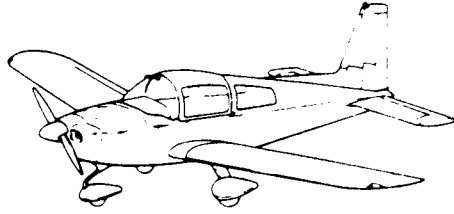
Sun Visor Assembly and Installation (Optional)  
Figure 25-7

25G54-7

AA-5 SERIES  
ILLUSTRATED PARTS CATALOG

Figure & Index No.	Part Number	Nomenclature	Units Per Assy	Usable	
				On Code	
25- 7 -	5804034-501	SUN VISOR ASSY AND INSTALLATION (LH) (OPTIONAL)	AR		
	5804034-502	SUN VISOR ASSY AND INSTALLATION (RH) (OPTIONAL)	AR		
	5804034-505	SUN VISOR ASSEMBLY (LH)	1		
	5804034-506	SUN VISOR ASSEMBLY (RH)	1		
		(ATTACHING PARTS)			
	- 1	MS24693-S51	SCREW	REF	
	- 2	5804034-10	VISOR	1	A
		5804034-15	VISOR	1	B
	- 3	5804034-5	VISOR CAP	1	
	- 4	522	TAPE - VINYL FOAM	AR	
	- 5	MS35214-37	SCREW	2	
	- 6	58N(.187)-FL	EXTENSION NUT	2	
	- 7	5803007-102	PLACARD	1	
		5804034-503	ROD ASSEMBLY (LH)	1	
		5804034-504	ROD ASSEMBLY (RH)	1	
- 8	5804034-4	ROD	1		
- 9	5804034-3	RETAINER	1		
-10	52-028-125-0312	ROLL PIN	1		
	5804034-507	BRACKET ASSEMBLY	1		
		(ATTACHING PARTS)			
-11	MS24693S276	SCREW	1		
-12	3502-10-78	SPRING WASHER	1		
-13	MS20364-1032	NUT	1		
-14	5804034-1	BRACKET	1		
-15	RM52LHA4972-682	CLIP NUT	2		
		A = AA5A-0283 THRU 0522 AA5B-0400 THRU 0692			
		B = AA5A-0523 AND SUBSEQUENT AA5B-0693 AND SUBSEQUENT			
		* = REFER TO CHAPTER 11 FOR PLACARDS.			

AA-5 SERIES  
ILLUSTRATED PARTS CATALOG



Outside Air Temperature Gage Installation (Optional)  
Figure 25-8

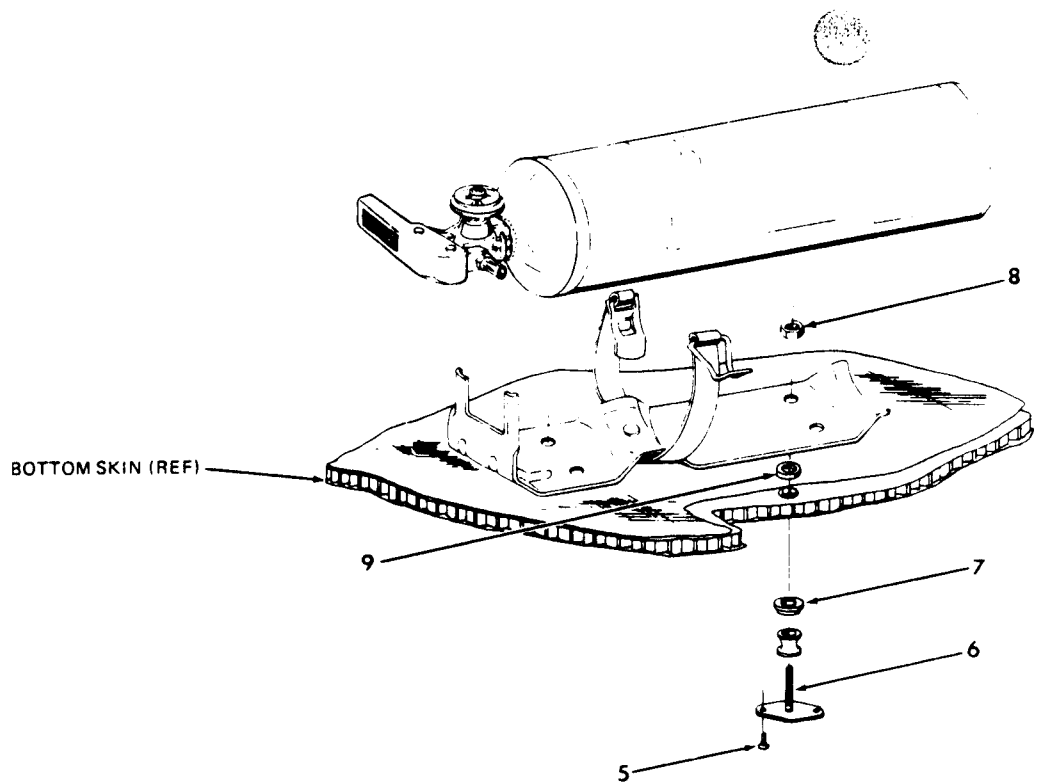
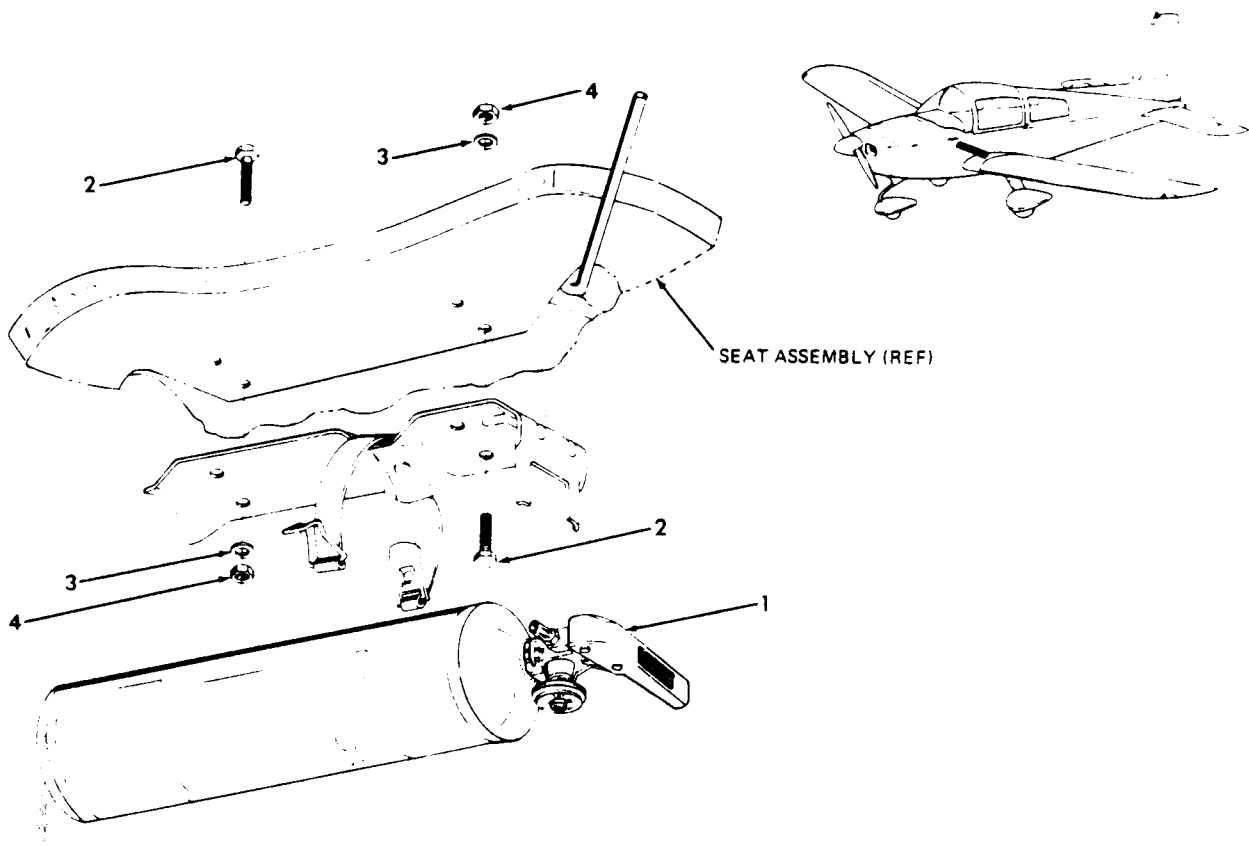
25G54-8



AA-5 SERIES  
ILLUSTRATED PARTS CATALOG

Figure & Index No.	Part Number	Nomenclature							Units Per Assy	Usable On Code
		1	2	3	4	5	6	7		
25- 8 -	804006-502	OUTSIDE AIR TEMPERATURE GAGE INSTALLATION . . . . .							AR	R
- 1	2716-1	. AIR TEMPERATURE GAGE (SCOTT INDUSTRIES) . . . . .							1	
	4202	. AIR TEMPERATURE GAGE (V65092) . . . . .							1	
- 2	804006-2	. TUBE . . . . .							1	
- 3	804041-1	. WASHER . . . . .							2	
- 4	804006-1	. TUBE (SHORT) . . . . .							1	

AA-5 SERIES  
ILLUSTRATED PARTS CATALOG



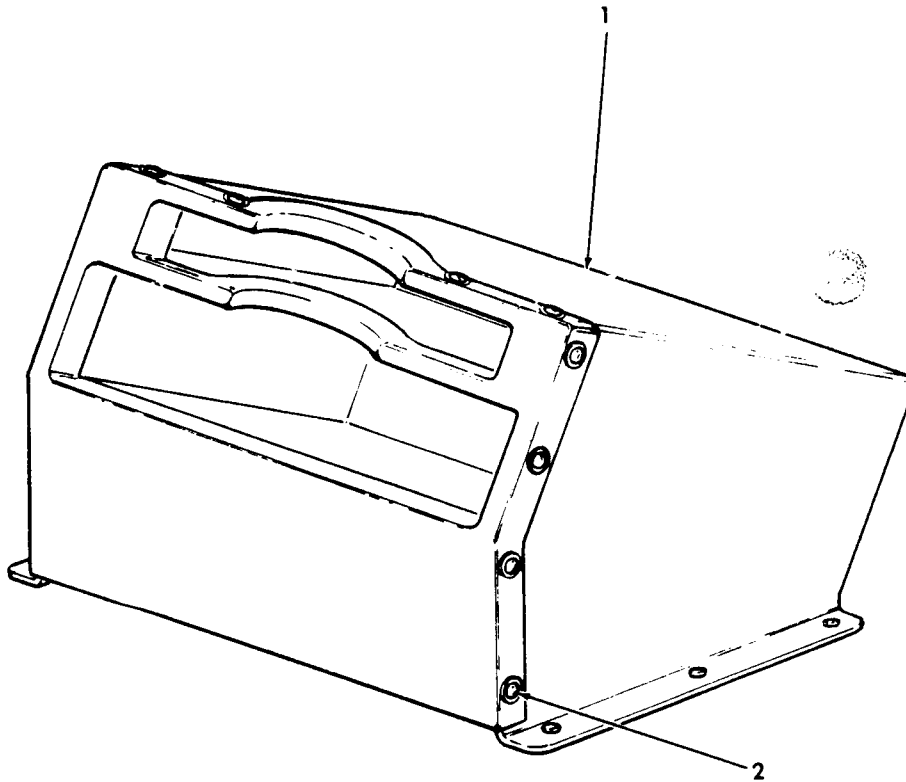
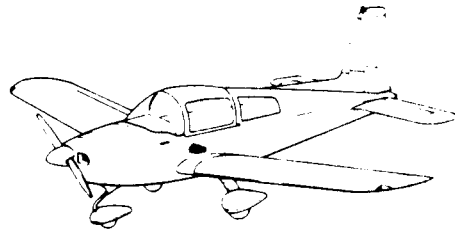
Fire Extinguisher Installation (Optional)  
Figure 25-9

25G54-9

AA-5 SERIES  
ILLUSTRATED PARTS CATALOG

Figure & Index No.	Part Number	Nomenclature							Units Per Assy	Usable On Code			
		1	2	3	4	5	6	7					
25- 9	-	5804009-501	FIRE EXTINGUISHER INSTALLATION (UNDER SEAT) . . . . .							AR	A	R	
			(OPTIONAL)										
		5804009-502	FIRE EXTINGUISHER INSTALLATION (ON FLOOR, . . . . .							AR	A	R	
			LEFT SIDE) (OPTIONAL)										
		5804009-503	FIRE EXTINGUISHER INSTALLATION (ON FLOOR, . . . . .							AR	B	R	
			RIGHT SIDE) (OPTIONAL)									R	
		- 1	CP-2-3/4	. FIRE EXTINGUISHER (V99539) . . . . .							1		
			KCP-2-1/2	. FIRE EXTINGUISHER (ALTERNATE FOR . . . . .							1		
				CP-2-3/4) (V99539)									
			417	. FIRE EXTINGUISHER (ALTERNATE FOR . . . . .							1		
				CP-2-3/4) (VESTA CO.)									
				(ATTACHING PARTS)									
		- 2	AN4-3A	. BOLT (UNDER SEAT) . . . . .							2		
		- 3	AN960-416	. WASHER (UNDER SEAT) . . . . .							2		
	- 4	MS20364-428	. NUT (UNDER SEAT) . . . . .							2			
	- 5	1601-0410	. RIVET (V19738) (ON FLOOR) . . . . .							8			
	- 6	GAES200-6	. FASTENER (ON FLOOR) . . . . .							4			
	- 7	GAES200-8	. CAP (ON FLOOR) . . . . .							4			
	- 8	MS20364-1032	. NUT (ON FLOOR) . . . . .							4			
	- 9	AN960-10L	. WASHER (ON FLOOR) . . . . .							4			
		-----											
		A = AA5A-0283 THRU AA5A-0522									R		
		AA5B-0400 THRU AA5B-0692									R		
		B = AA5A-0523 AND SUBSEQUENT									R		
		AA5B-0693 AND SUBSEQUENT									R		

AA-5 SERIES  
ILLUSTRATED PARTS CATALOG



Storage Box Assembly (Optional)  
Figure 25-10

25G54-10

AA-5 SERIES  
ILLUSTRATED PARTS CATALOG

Figure & Index No.	Part Number	Nomenclature							Units Per Assy	Usable On Code
		1	2	3	4	5	6	7		
25- 10 - 1  - 2	5102387-502	STORAGE BOX ASSEMBLY (OPTIONAL) .....							NP	
	5102387-501	. BOX ASSEMBLY .....							1	
	1601-0410	. RIVET (V19738) .....							6	
		. -----								