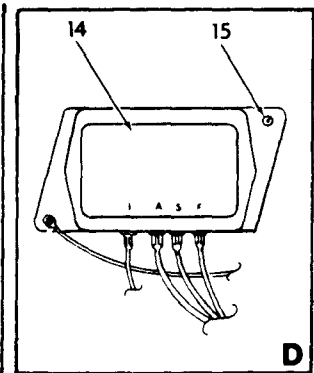
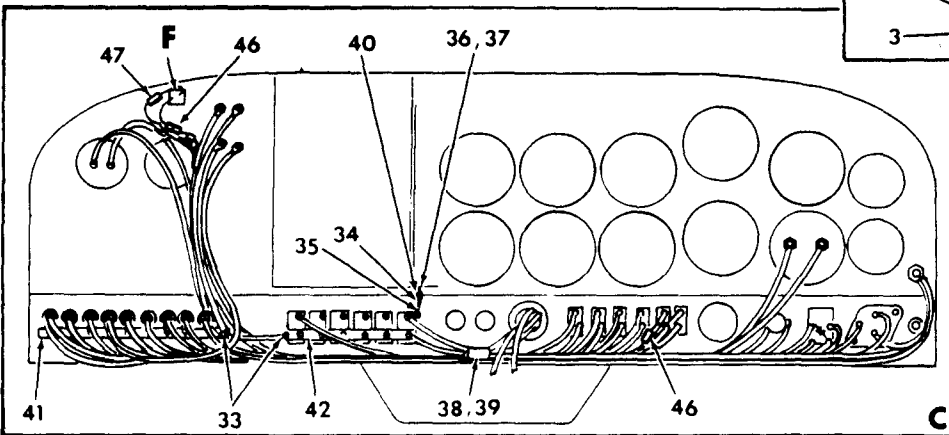
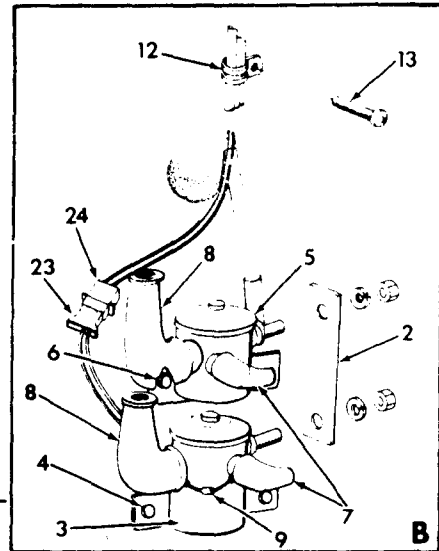
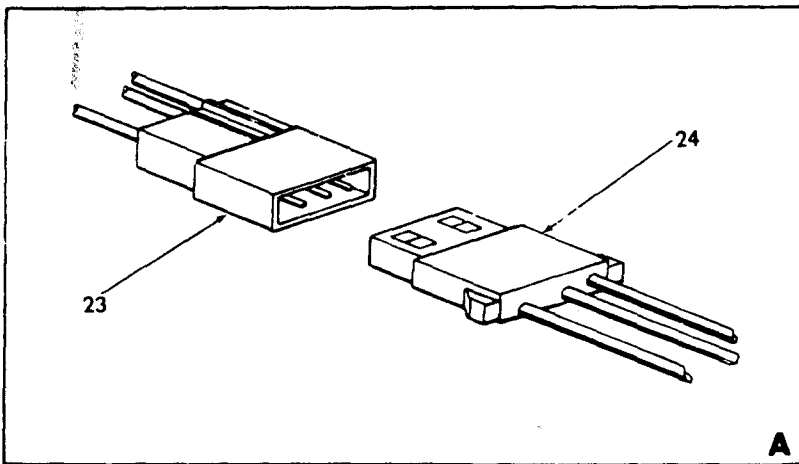
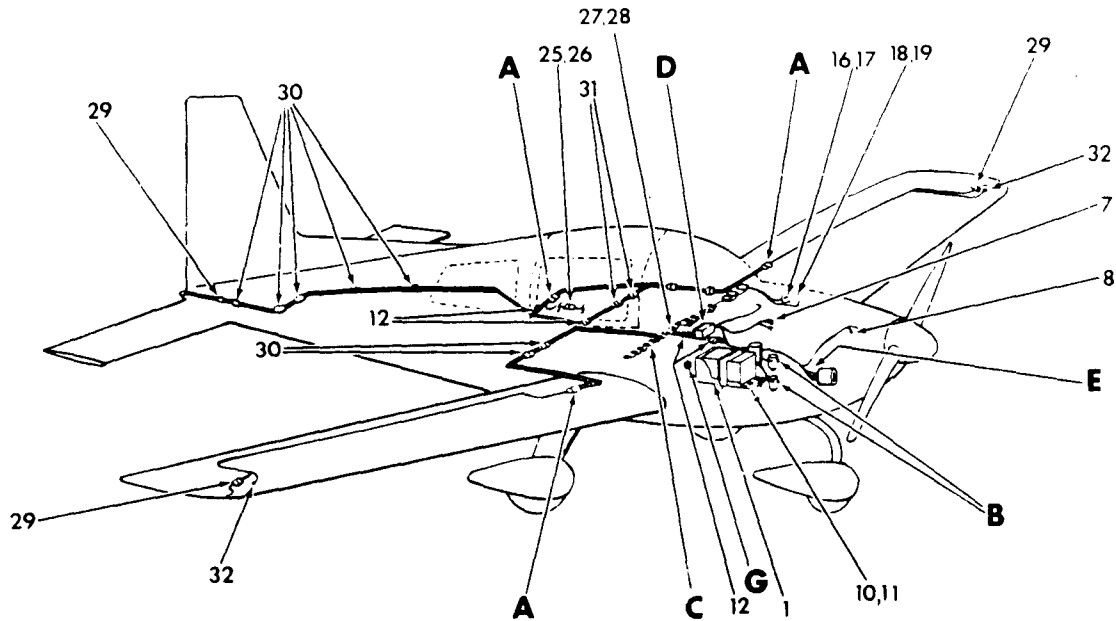


AA-5 SERIES  
ILLUSTRATED PARTS CATALOG

CHAPTER 24  
ELECTRICAL POWER  
TABLE OF CONTENTS

<u>SUBJECT</u>	<u>FIGURE NUMBER</u>
ELECTRICAL SYSTEM INSTALLATION	24-1
BATTERY INSTALLATION	24-2
AUXILIARY POWER PLUG INSTALLATION (OPTIONAL)	24-3

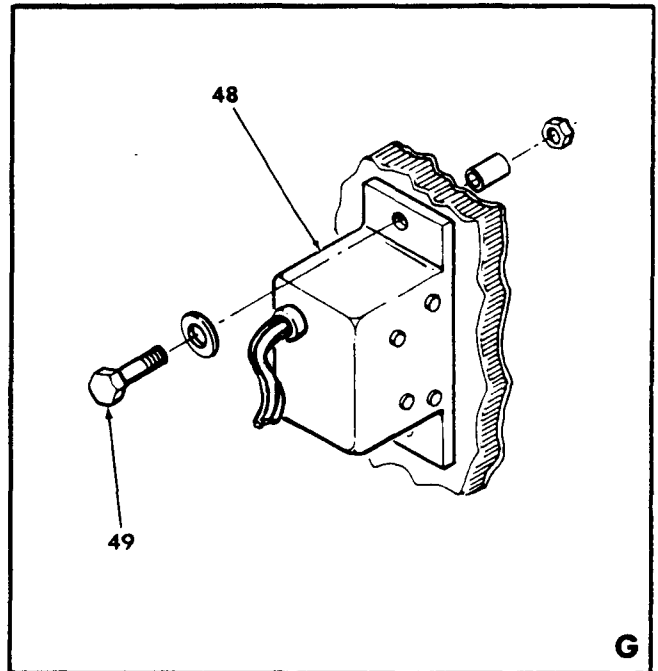
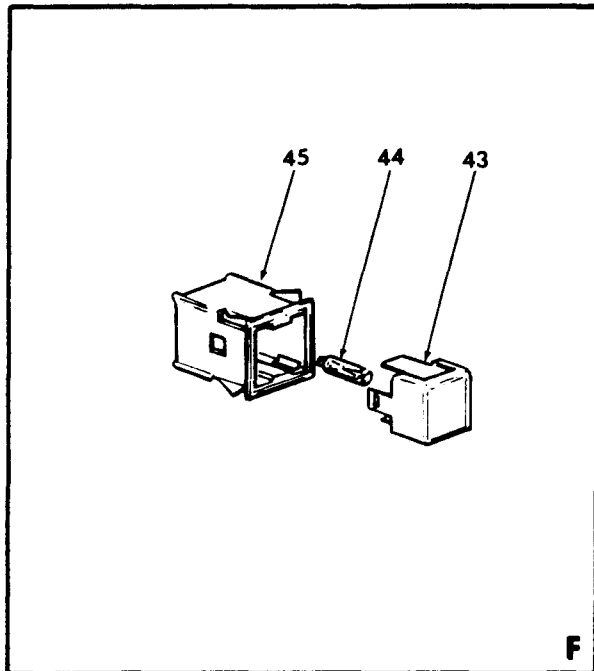
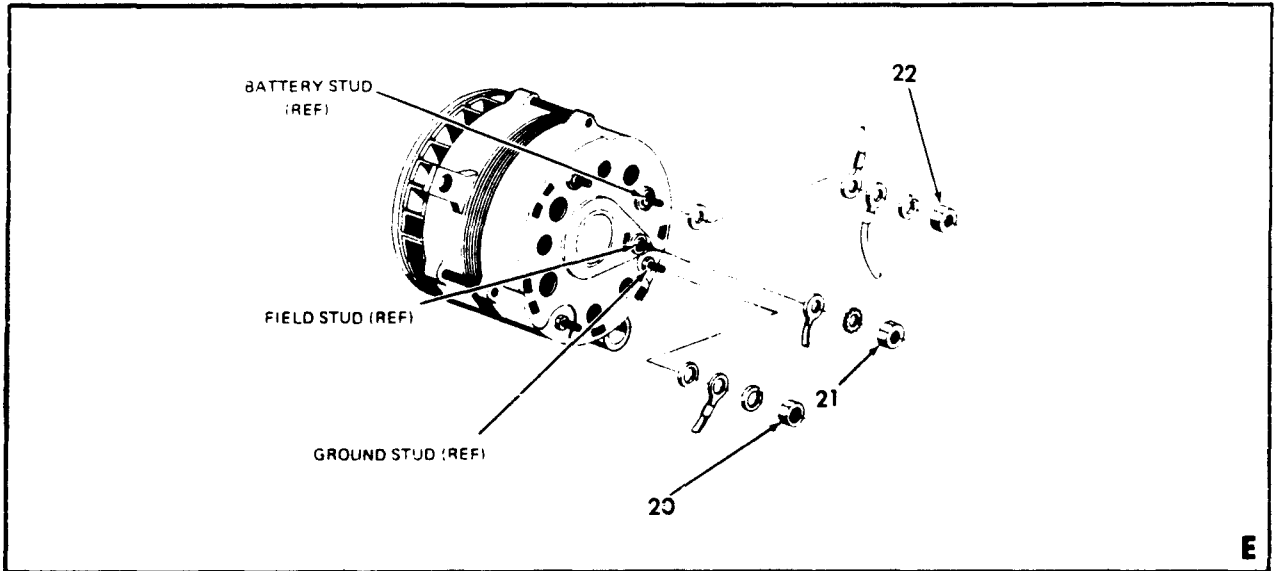
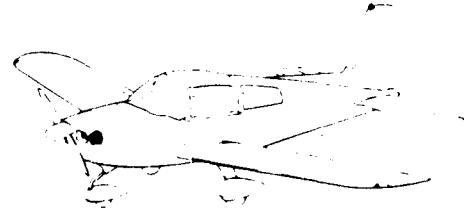
AA-5 SERIES  
ILLUSTRATED PARTS CATALOG



Electrical System Installation  
Figure 24-1 (Sheet 1 of 2)

24G54-1

AA-5 SERIES  
ILLUSTRATED PARTS CATALOG



24G54-1-2

Electrical System Installation  
Figure 24-1 (Sheet 2 of 2)

AA-5 SERIES  
ILLUSTRATED PARTS CATALOG

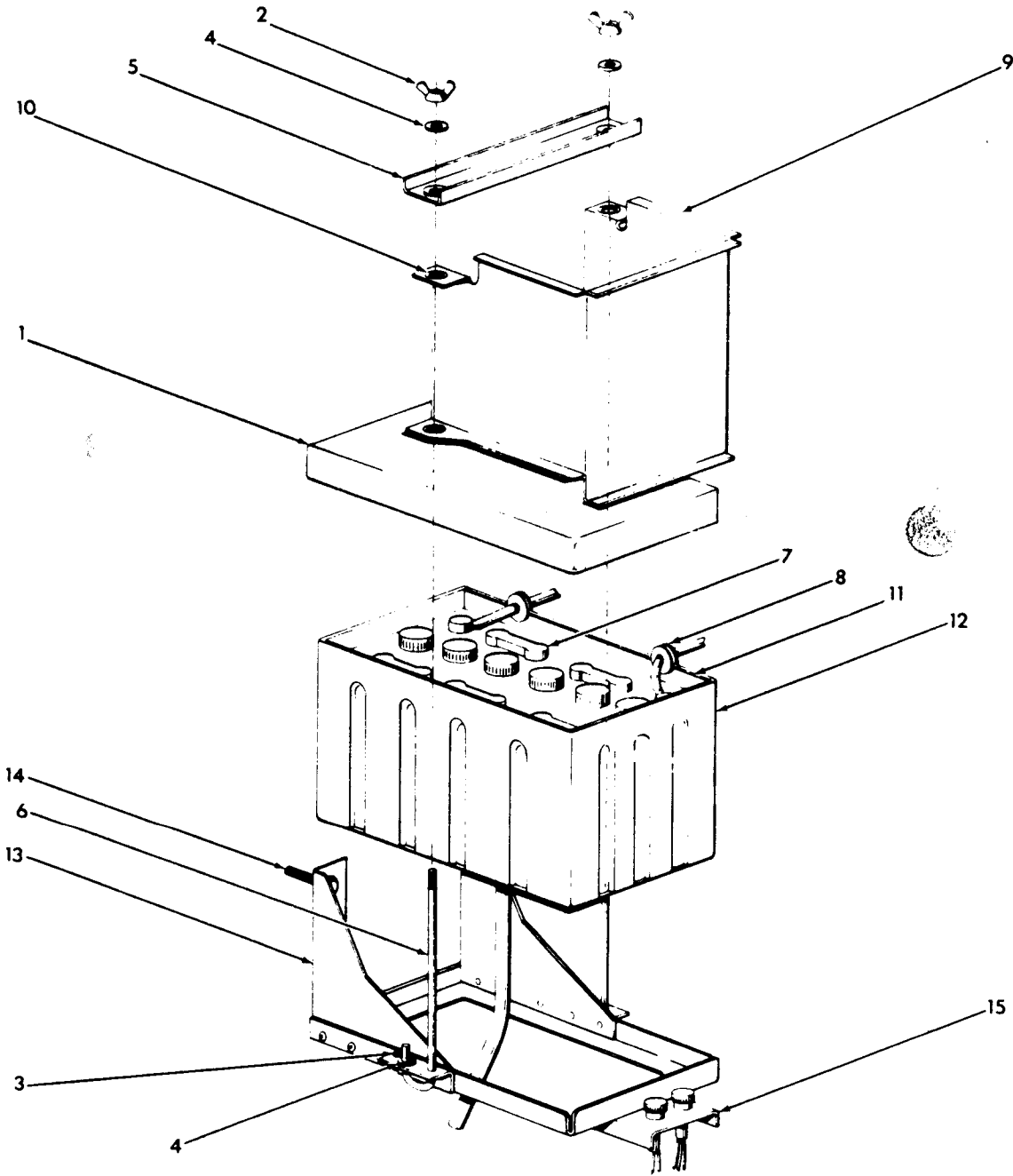
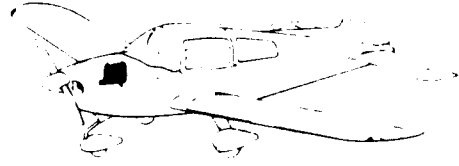
Figure & Index No.	Part Number	Nomenclature							Units Per Assy	Usable On Code
		1	2	3	4	5	6	7		
24 - 1	5402010-501	ELECTRICAL SYSTEM INSTALLATION							NP	
- 1	402014-502	BATTERY INSTALLATION (SEE FIGURE 24-2 FOR DETAIL BREAKDOWN)							REF	
- 2	902030-1	JUMPER							1	
- 3	8781-2	BATTERY RELAY (V80089) (ATTACHING PARTS)							1	
- 4	AN3-10A	BOLT							2	
	AN960-10L	WASHER							2	
	AN970-3	WASHER							2	
	GAES201-1	SPACER							2	
	MS20364-1032	NUT							2	
- 5	(SAW4204-1) 70-914	STARTER RELAY (V19728) (ATTACHING PARTS)							1	
- 6	AN3-10A	BOLT							2	
	AN960-10L	WASHER							2	
	AN970-3	WASHER							2	
	GAES201-1	SPACER							2	
	MS20364-1032	NUT							2	
- 7	MS25171-1S	NIPPLE							8	
- 8	MS25171-3S	NIPPLE							5	
- 9	5402012-502	DIODE ASSY							1	
- 10	AGC-5	FUSE (V71400)							2	
- 11	HKP	FUSE HOLDER (V71400)							2	
- 12	MS21919DG8	CLAMP							6	
- 13	AN526-832R14	SCREW							1	
	AN970-3	WASHER							1	
	MS20364-832	NUT							1	
- 14	(D4FF-10316-BA) V17620	VOLTAGE REGULATOR (V23040) (ATTACHING PARTS)							1	
- 15	AN526-428R8	SCREW							2	
	AN963-8416	WASHER (UNDER CONNECTOR)							2	
	AN970-4	WASHER (UNDER NUT)							2	
	MS20364-428	NUT							2	
- 16	02054-3	WARNING HORN (V83326)							1	
	902029-2	MOUNTING BOARD (ATTACHING PARTS)							1	
- 17	MS35338-41	WASHER							4	
	AN960-6L	WASHER							4	
	MS35649-265	NUT							4	
- 18	902029-1	BRACKET (ATTACHING PARTS)							1	
- 19	1601-0410	RIVET (V19738)							7	
- 20	MS35649-202	NUT							1	
	MS35338-43	WASHER							1	
	AN961-10T	WASHER							1	
- 21	MS35649-202	NUT							1	
	AN936-810	WASHER							1	
- 22	MS35649-2252	NUT							1	
	MS35338-44	WASHER							1	
	AN961-416T	WASHER							1	
- 23	1-480303-0	SOCKET HOUSING (AMP INCORPORATED)							4	
- 24	1-480305-0	PIN HOUSING (AMP INCORPORATED)							4	
- 25	1-480270-0	SOCKET HOUSING (AMP INCORPORATED)							1	
- 26	1-480340-0	PIN HOUSING (AMP INCORPORATED)							1	
- 27	1-480438-0	SOCKET HOUSING (AMP INCORPORATED)							1	

AA-5 SERIES  
ILLUSTRATED PARTS CATALOG

Figure & Index No.	Part Number	Nomenclature 1 2 3 4 5 6 7	Units Per Assy	Usable On Code		
24- 1	-28	1-480439-0		1		
	-29	DC-68-2-2		3		
		T-101-D		6		
	-30	DK-250		18		
	-31	DK-500		7		
	-32	AN526-1032R6	SCREW	2		
		AN936-B10	WASHER	2		
		MS20364-1032	NUT	2		
	-33	AN526-1032R9	SCREW	2		
		MS20364-1032	NUT	2		
	-34	5402012-501	DIODE ASSY	1		
	-35	3432	TAB (V98410)	1		
	-36	3532	TAB (V98410)	1		
			(ATTACHING PARTS)			
	-37	1604-0514	RIVET (V19738)	1		
			-----			
	-33	AGC-10	FUSE (V71400)	1		
	-39	HHJ	FUSE HOLDER (V71400)	1		
	-40	5402012-501	DIODE ASSY	1		
	-41	5402004-1	BUS BAR	1		
	-42	5402004-3	BUS BAR	1		
		7SCF0039-37	INDICATOR ASSY, ALTERNATOR	1		A
	-43	7SCF0039-35	LENS	1		A
	-44	73	BULB (V08806)	1		A
-45	05-115	HOUSING (V04426)	1		A	
-46	1N4004	DIODE	2		A	
-47	HB-151	RESISTOR	1		A	
-48	B-00339-1	RELAY, OVERVOLTAGE	1		A	
		(ATTACHING PARTS)				
-49	AN3-10A	BOLT	2		A	
	AN960-10	WASHER	2		A	
	AN364-1032	NUT	2		A	
	912015-2	BUSHING	2		A	
		-----				
		A = AA5A-0523 AND SUBSEQUENT AA5B-0693 AND SUBSEQUENT				

R  
R  
R  
R  
R  
R  
R  
R  
R  
R  
R  
R  
R  
R  
R

AA-5 SERIES  
ILLUSTRATED PARTS CATALOG



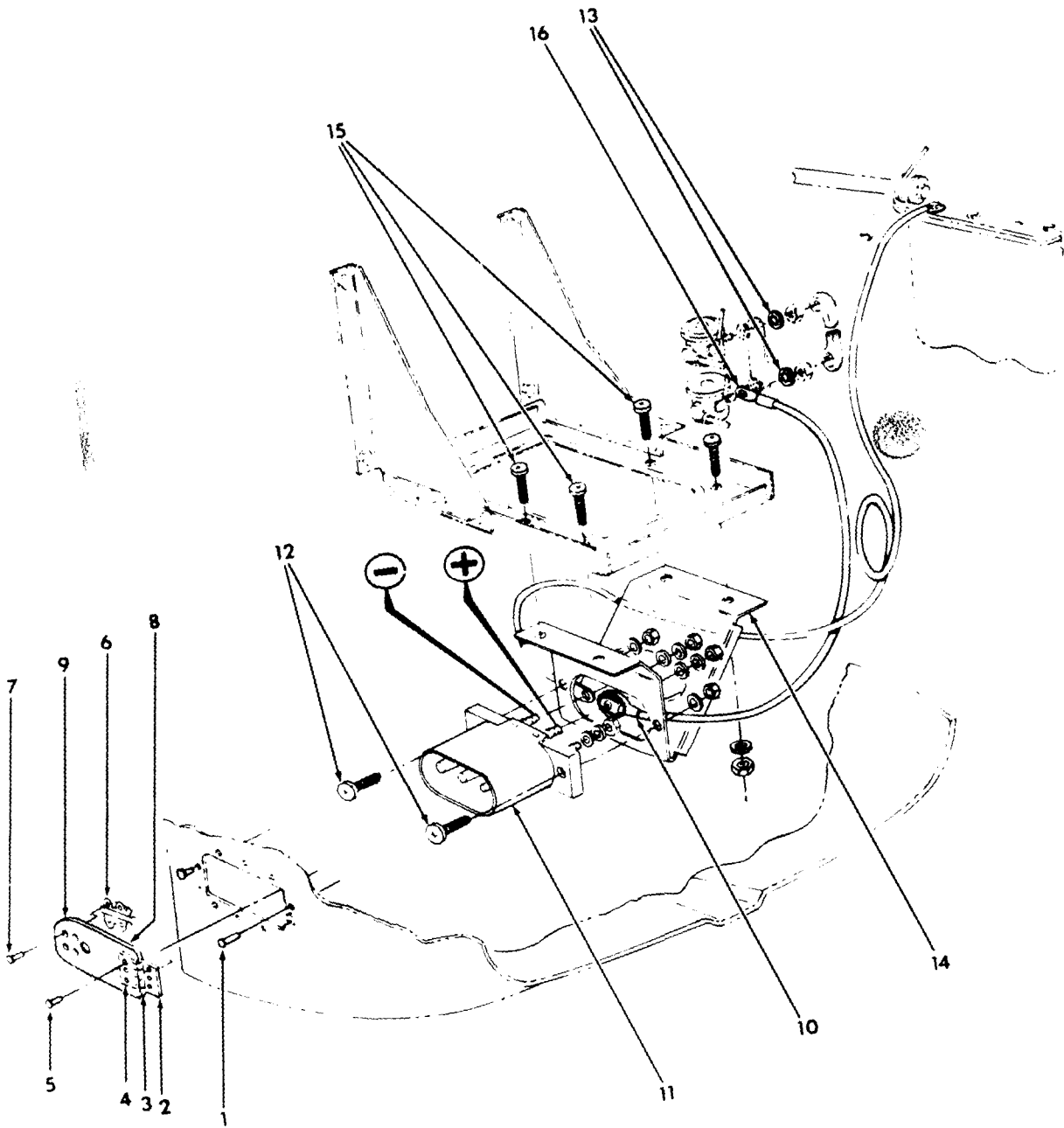
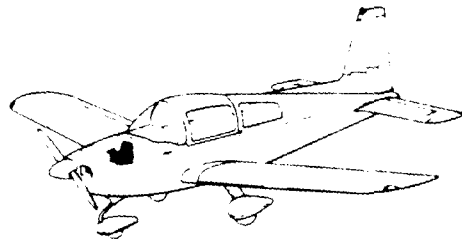
Battery Installation  
Figure 24-2

24G54-2

AA-5 SERIES  
ILLUSTRATED PARTS CATALOG

Figure & Index No.	Part Number	Nomenclature 1 2 3 4 5 6 7	Units Per Assy	Usable On Code
24- 2	-	BATTERY INSTALLATION . . . . .	NP	
- 1	402014-502 402012-504	COVER ASSY . . . . . (ATTACHING PARTS)	1	
- 2	WC-048	WING NUT (ESNA DIVISION) . . . . .	2	
- 3	MS24665-132	COTTER PIN . . . . .	2	
- 4	AN960-416	WASHER . . . . .	4	
- 5	402013-4	TIE DOWN . . . . .	1	
- 6	402013-5	TIE DOWN ROD . . . . .	2	
- 7	S-25	BATTERY (V19728) . . . . .	1	
- 8	MS35489-100	GROMMET . . . . .	3	
- 9	402015-501	HEAT SHIELD ASSY . . . . .	1	
-10	MS35489-6	GROMMET . . . . .	4	
-11	402012-6	SHIM . . . . .	1	
-12	402012-505	BATTERY BOX ASSY . . . . .	1	
-13	402013-503	BATTERY SUPPORT ASSY . . . . . (ATTACHING PARTS)	1	
-14	AN3-10A 902015-2 AN970-3 MS20364-1032	BOLT . . . . . BUSHING . . . . . WASHER . . . . . NUT . . . . .	4 4 4 4	
-15	5803007-41	PLACARD . . . . .	1	
		* = REFER TO CHAPTER 11 FOR PLACARDS		

AA-5 SERIES  
ILLUSTRATED PARTS CATALOG



Auxiliary Power Plug Installation (Optional)  
Figure 24-3

24G54-3

24  
Page 8  
April 15/77



AA-5 SERIES  
ILLUSTRATED PARTS CATALOG

Figure & Index No.	Part Number	Nomenclature							Units Per Assy	Usable On Code
		1	2	3	4	5	6	7		
24- 3	804023-505	AUXILIARY POWER PLUG INSTALLATION (OPTIONAL) . . . . .							AR	A
	804023-506	AUXILIARY POWER PLUG INSTALLATION (OPTIONAL) . . . . .							AR	B
	804023-507	COWL ASSY . . . . .							1	A
	804023-508	COWL ASSY . . . . .							1	B
	804023-503	DOOR ASSY . . . . .							1	
		(ATTACHING PARTS)								
- 1	MS20426AD3-5	RIVET . . . . .							3	
- 2	101019-2	HALF HINGE . . . . .							1	
		(ATTACHING PARTS)								
- 3	101019-4	PIN . . . . .							1	
- 4	101019-3	HALF HINGE . . . . .							1	
		(ATTACHING PARTS)								
- 5	MS20426AD3-5	RIVET . . . . .							3	
- 6	KM610-64	LATCH (V71286) . . . . .							1	
		(ATTACHING PARTS)								
- 7	MS20426AD3-4	RIVET . . . . .							4	
- 8	804023-4	PLACARD . . . . .							1	*
- 9	804023-1	DOOR . . . . .							1	
-10	MS25171-3S	NIPPLE . . . . .							1	
-11	AN2552-3A	RECEPTACLE . . . . .							1	
		(ATTACHING PARTS)								
-12	MS24893-S275	SCREW . . . . .							2	
	AN960-10	WASHER . . . . .							2	
	MS20365-1032	NUT . . . . .							2	
-13	MS35338-45	WASHER . . . . .							2	
-14	804023-3	BRACKET . . . . .							1	
		(ATTACHING PARTS)								
-15	MS27039-1-09	SCREW . . . . .							4	
	AN960-10	WASHER . . . . .							4	
	MS20365-1032	NUT . . . . .							4	
-16	F1T-105	SHRINK TUBE (V05832) . . . . .							AR	
		A = AA5A-0283 AND SUBSEQUENT								
		B = AA5B-0400 AND SUBSEQUENT								
		* = REFER TO CHAPTER 11 FOR PLACARDS								