

AA-5 SERIES
ILLUSTRATED PARTS CATALOG

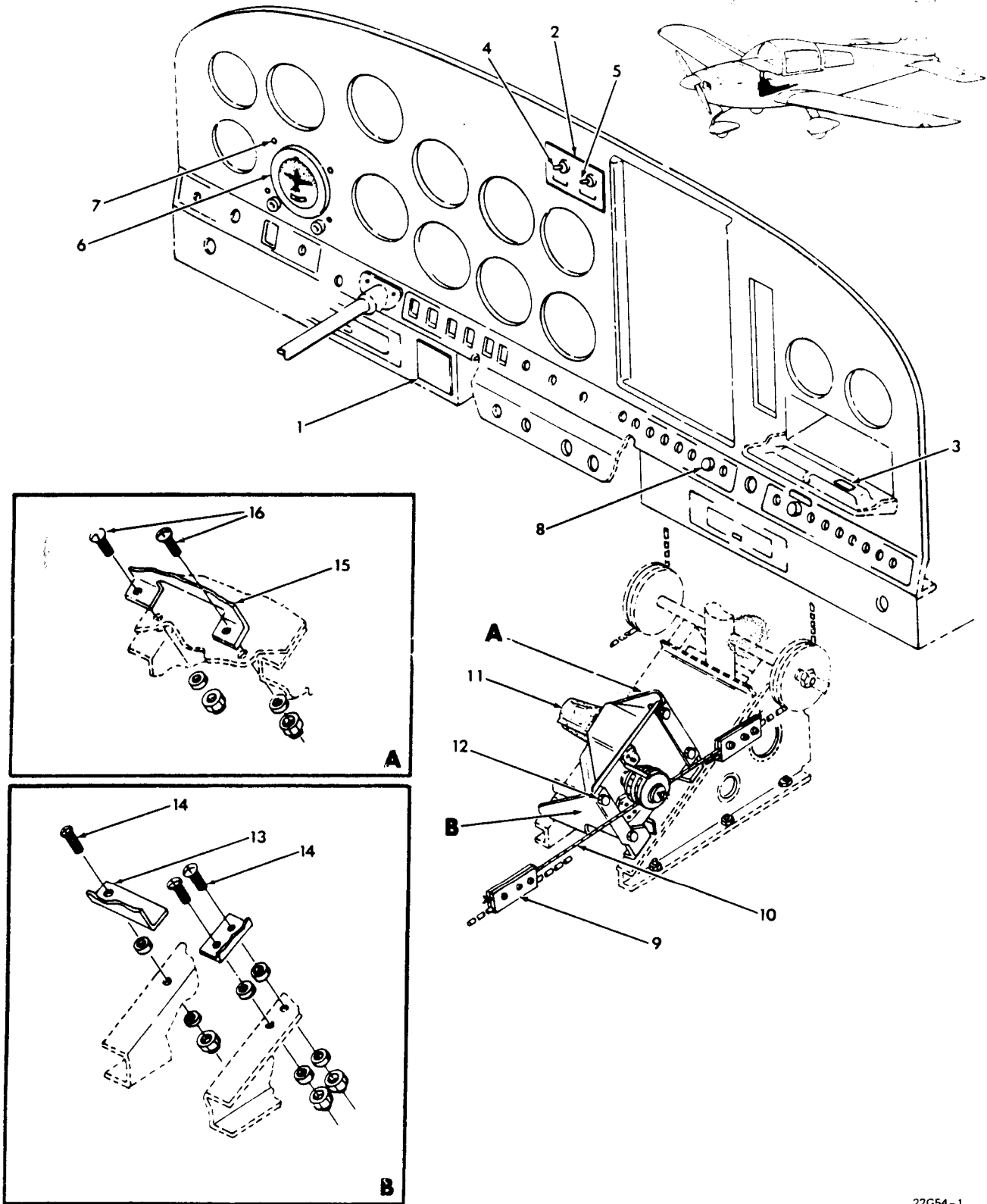
CHAPTER 22

AUTO FLIGHT

TABLE OF CONTENTS

| <u>SUBJECT</u> | <u>FIGURE NUMBER</u> |
|---|--------------------------|
| AUTO-PILOT INSTALLATION (OPTIONAL) (CENTURY I) | 22-1 |
| AUTO-PILOT INSTALLATION (OPTIONAL) (CENTURY IIB) | 22-2 |

AA-5 SERIES
ILLUSTRATED PARTS CATALOG



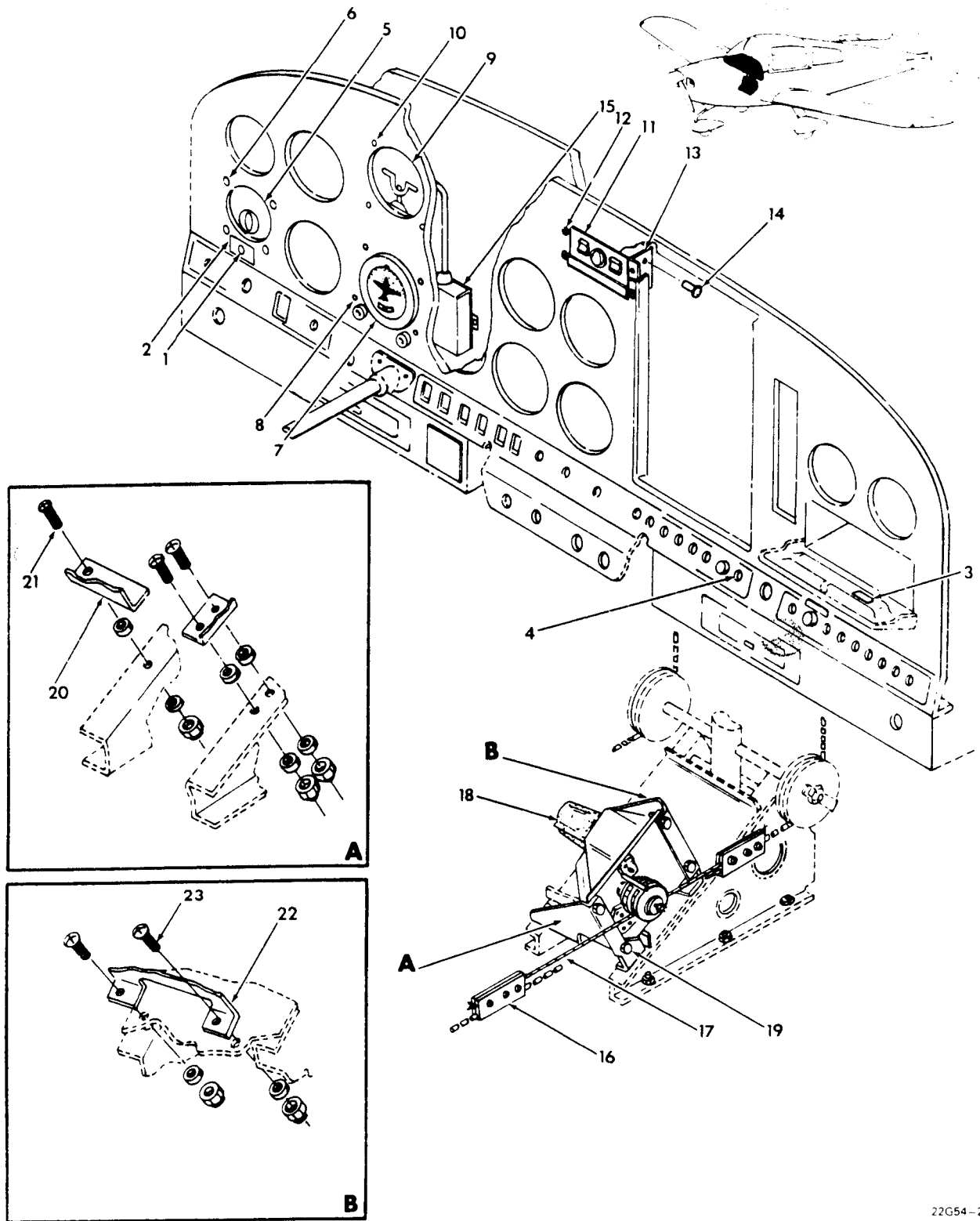
Auto-Pilot Installation – Century I (Optional)
Figure 22-1

22G54-1

AA-5 SERIES
ILLUSTRATED PARTS CATALOG

| Figure & Index No. | Part Number | Nomenclature | 1 2 3 4 5 6 7 | | | | | | | Units Per Assy | Usable On Code |
|---|-------------------------------------|---|---------------|--|--|--|--|--|-------------|----------------------|----------------------|
| | | | | | | | | | | | |
| 22- 1 - | 5804029-501 5804029-502 | AUTO-PILOT INSTALLATION (WITH TRACKER) (OPTIONAL) . . . AUTO-PILOT INSTALLATION (WITHOUT TRACKER) (OPTIONAL) | | | | | | | AR AR | | |
| - 1 | 13A762-514 13A762-514-1 | PLACARD (V56172) PLACARD (V53172) | | | | | | | 1 1 | A B | R R |
| - 2 | 5803007-88 | PLACARD - NAV SWITCH | | | | | | | 1 | * | R |
| - 3 | 13A622 | PLACARD - SERIAL NUMBER (V56172) | | | | | | | 1 | | R |
| - 4 | MST-105 | MASTER SWITCH (V95146) | | | | | | | 1 | | |
| - 5 | MST-205 | NAV 1/NAV 2 SWITCH (V95146) (USE WITH 5804029-501) | | | | | | | 1 | | |
| - 6 | 52D75-3 52D75-4 | TURN AND BANK INDICATOR (V56172) (USE WITH 5804029-502) TURN AND BANK INDICATOR (V56172) (USE WITH 5804029-501) (ATTACHING PARTS) | | | | | | | 1 1 | | R R |
| - 7 | 3S226 | SCREW (V56172) | | | | | | | 4 | | R |
| - 8 | MP1600T-5 | CIRCUIT PROTECTOR (V0523) | | | | | | | 1 | | R |
| - 9 | 42A173-1 | CABLE CLAMP ASSY (V56172) | | | | | | | 2 | | R |
| -10 | 30B200 | BRIDLE CABLE (V56172) | | | | | | | 1 | | R |
| -11 | 1C363-1-373R | ROLL SERVO (V56172) (ATTACHING PARTS) | | | | | | | 1 | | |
| -12 | AN3-4A AN960-C10 AN365-1032 | BOLT WASHER NUT | | | | | | | 4 4 4 | | |
| -13 | 7B1267-1 | BRACKET (V56172) (ATTACHING PARTS) | | | | | | | 1 | | R |
| -14 | AN525-832R8 AN960-8 AN365-832 | SCREW WASHER NUT | | | | | | | 3 6 3 | | |
| -15 | 7B1268-1 | BRACKET (V56172) (ATTACHING PARTS) | | | | | | | 1 | | R |
| -16 | AN525-832R8 AN960-8 AN365-832 | SCREW WASHER NUT | | | | | | | 2 2 2 | | |
| <p>A = AA5A-0283 AND SUBSEQUENT</p> <p>B = AA5B-0400 AND SUBSEQUENT</p> <p>* = REFER TO CHAPTER 11 FOR PLACARDS</p> | | | | | | | | | | | |

AA-5 SERIES
ILLUSTRATED PARTS CATALOG



Auto-Pilot Installation — Century II B (Optional)
Figure 22-2

22G54-2

AA-5 SERIES
ILLUSTRATED PARTS CATALOG

| Figure & Index No. | Part Number | Nomenclature | | | | | | | Units Per Assy | Usable On Code | |
|--------------------------------------|----------------|--------------|---|---|---|---|---|---|----------------------|----------------------|---|
| | | 1 | 2 | 3 | 4 | 5 | 6 | 7 | | | |
| 22- 2 | - | 5804047-501 | AUTO-PILOT INSTALLATION (WITH TRACKER) (OPTIONAL) | | | | | | | AR | |
| | | 5804047-502 | AUTO-PILOT INSTALLATION (WITHOUT TRACKER) (OPTIONAL) | | | | | | | AR | |
| | - 1 | MST-205N | SWITCH (V95146) (USE WITH 5804047-501) | | | | | | | 1 | |
| | - 2 | 5804047-1 | PLACARD (USE WITH 5804047-501) | | | | | | | 1 | |
| | - 3 | 13A701 | PLACARD - SERIAL NUMBER (V56172) | | | | | | | 1 | |
| | - 4 | MP1600T-5 | CIRCUIT PROTECTOR (V05231) | | | | | | | 1 | |
| | - 5 | 1C388-3 | RADIO COUPLER (V86887) (USE WITH 5804047- 501) (ATTACHING PARTS) | | | | | | | 1 | |
| | - 6 | MS35214-24 | SCREW | | | | | | | 4 | |
| | - 7 | 52D54 | DIRECTIONAL GYRO (V56172) (ATTACHING PARTS) | | | | | | | 1 | |
| | - 8 | MS35214-24 | SCREW | | | | | | | 3 | |
| | - 9 | 52D66 | ATTITUDE GYRO (V56172) (ATTACHING PARTS) | | | | | | | 1 | |
| | -10 | MS35214-24 | SCREW | | | | | | | 4 | |
| | -11 | 1C385 | AMPLIFIER CONSOLE (V56172) (ATTACHING PARTS) | | | | | | | 1 | |
| | -12 | 1604-0412 | RIVET (V19738) | | | | | | | 4 | |
| | -13 | 5804050-3 | BRACKET (ATTACHING PARTS) | | | | | | | 2 | |
| | -14 | MS35214-24 | SCREW | | | | | | | 2 | |
| | | MS20364-632 | NUT | | | | | | | 2 | |
| | -15 | 1B440 | ROLL SIGNAL FILTER (V56172) | | | | | | | 1 | |
| | -16 | 42A173-1 | CABLE CLAMP ASSY (V56172) | | | | | | | 2 | |
| | -17 | 30B200 | BRIDLE CABLE (V56172) | | | | | | | 1 | |
| | -18 | 1C363-1-373R | ROLL SERVO (V56172) (ATTACHING PARTS) | | | | | | | 1 | |
| | -19 | AN3-4A | BOLT | | | | | | | 4 | |
| | | AN960-C10 | WASHER | | | | | | | 4 | |
| | | AN365-1032 | NUT | | | | | | | 4 | |
| | -20 | 7C1267-1 | BRACKET (V56172) (ATTACHING PARTS) | | | | | | | 1 | |
| | -21 | AN525-832R8 | SCREW | | | | | | | 3 | |
| | | AN960-8 | WASHER | | | | | | | 6 | |
| | | AN365-832 | NUT | | | | | | | 3 | |
| | -22 | 7B1268-1 | BRACKET (V56172) (ATTACHING PARTS) | | | | | | | 1 | |
| | -23 | AN525-832R8 | SCREW | | | | | | | 2 | |
| | | AN960-8 | WASHER | | | | | | | 2 | |
| | | AN365-832 | NUT | | | | | | | 2 | |
| | | 68S240-1 | FLIGHT MANUAL (V56172) | | | | | | | 1 | A |
| | | 68S241 | FLIGHT MANUAL (V56172) | | | | | | | 1 | B |
| A = AA5A-0283 AND SUBSEQUENT | | | | | | | | | | | |
| B = AA5B-0400 AND SUBSEQUENT | | | | | | | | | | | |
| * = REFER TO CHAPTER 11 FOR PLACARDS | | | | | | | | | | | |