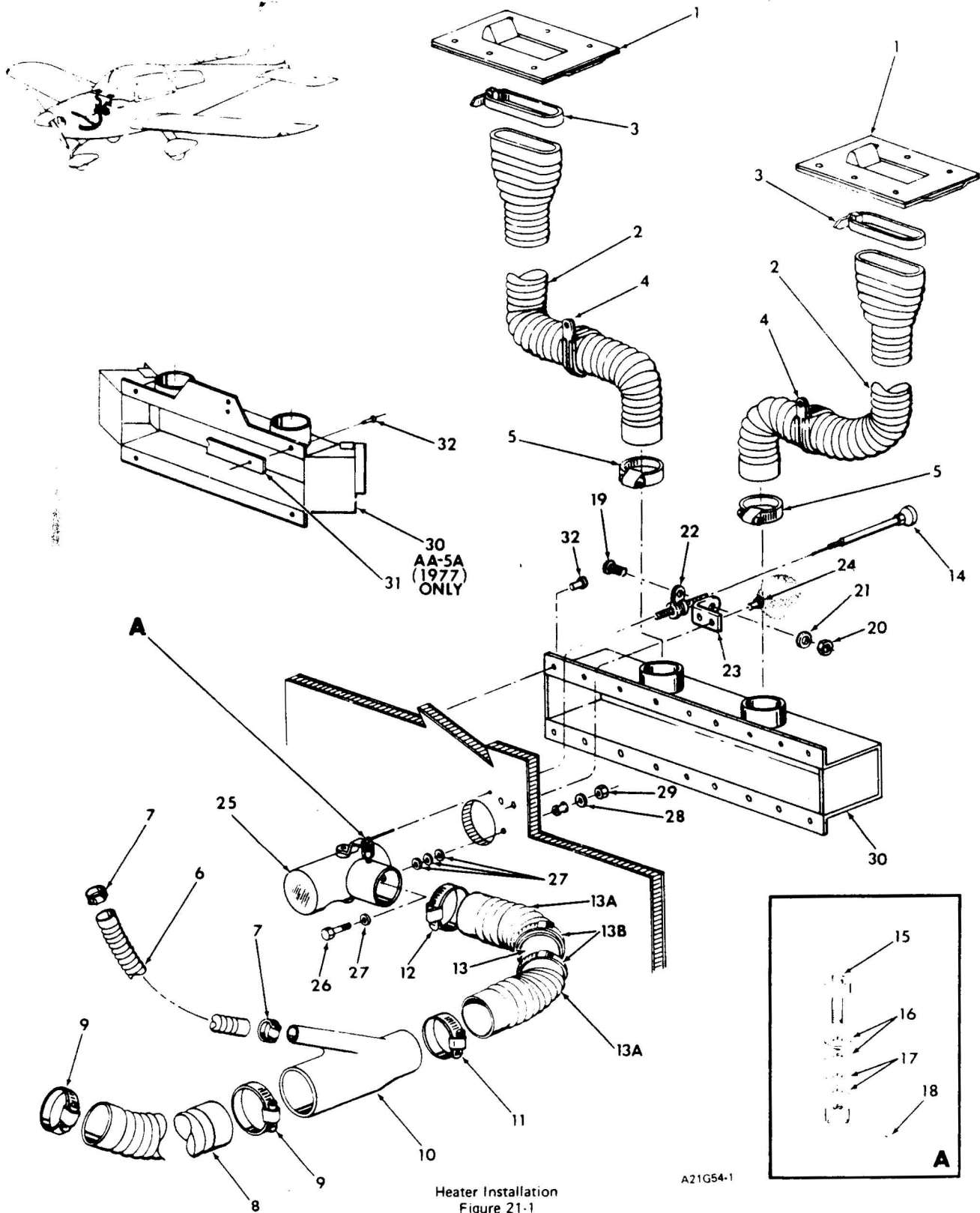


AA-5 SERIES
ILLUSTRATED PARTS CATALOG

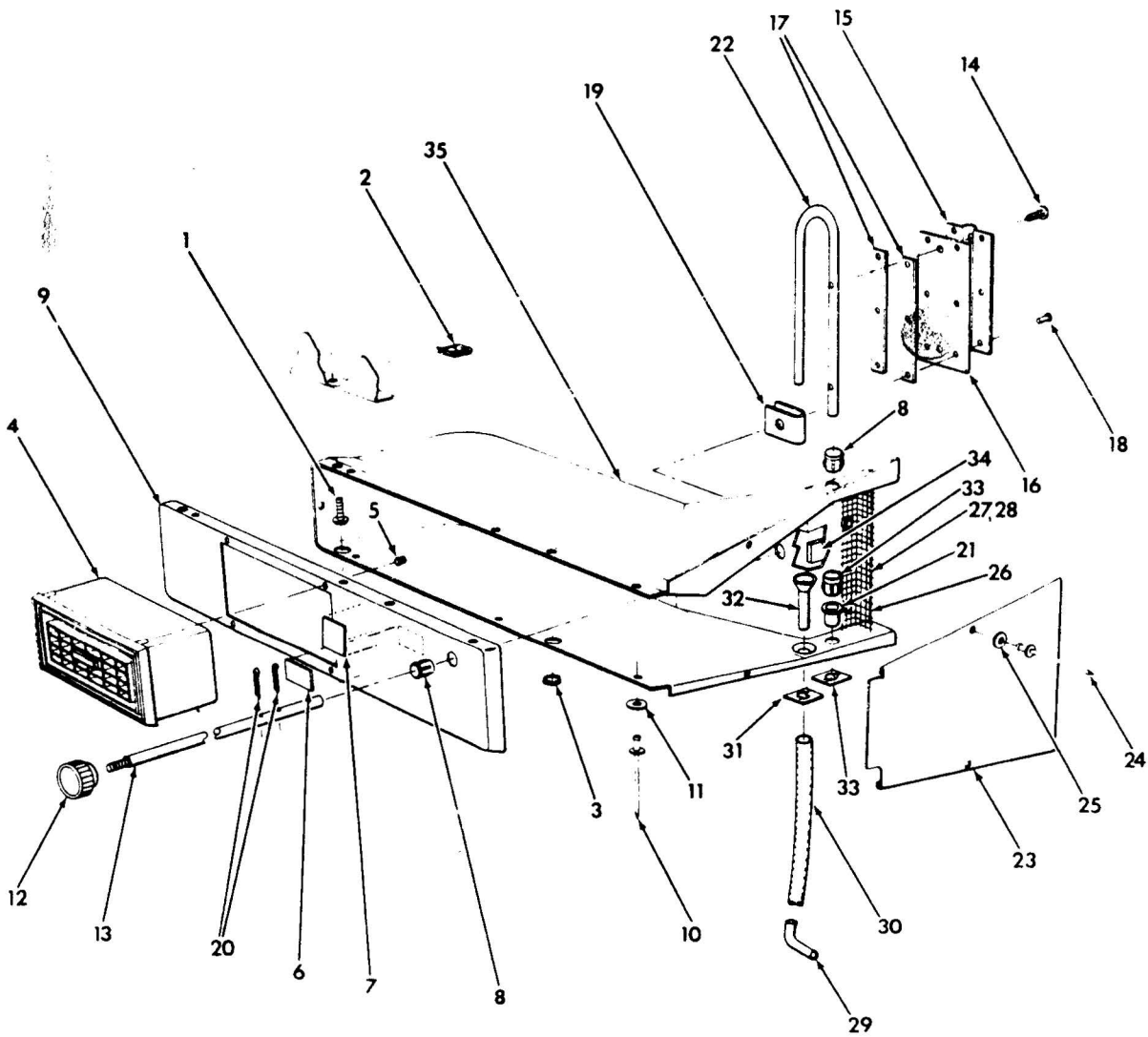
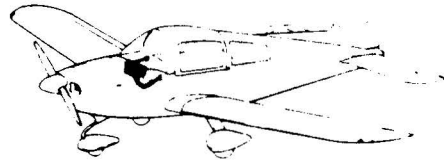
CHAPTER 21
AIR CONDITIONING
TABLE OF CONTENTS

<u>SUBJECT</u>	<u>FIGURE NUMBER</u>
HEATER INSTALLATION	21-1
AIR VENT INSTALLATION	21-2
RADIO AND DME COOLING KIT INSTALLATION	21-3
REAR PASSENGER VENT INSTALLATION	21-4

AA-5 SERIES
ILLUSTRATED PARTS CATALOG



AA-5 SERIES
ILLUSTRATED PARTS CATALOG



Air Vent Installation
Figure 21-2

21G54-2

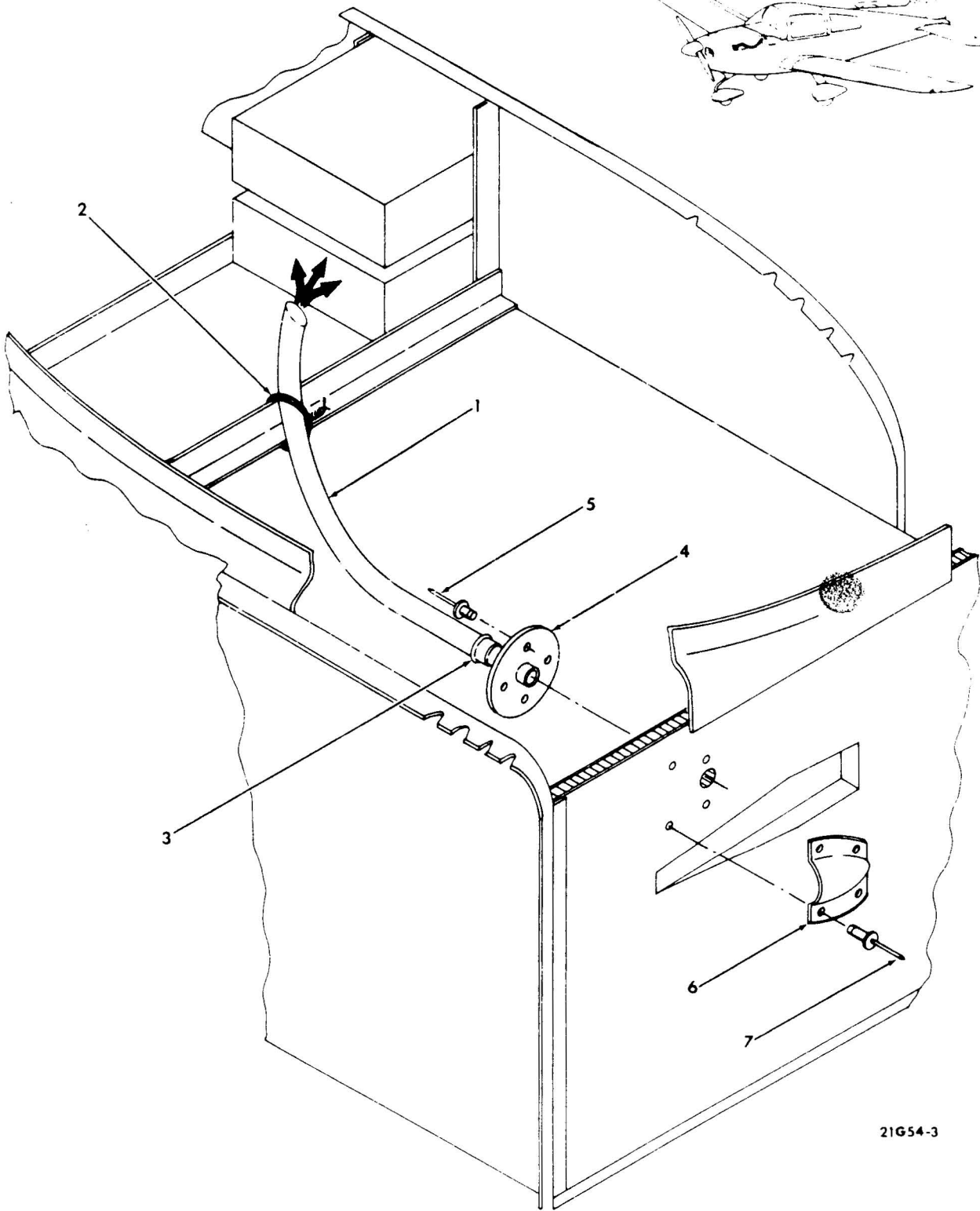
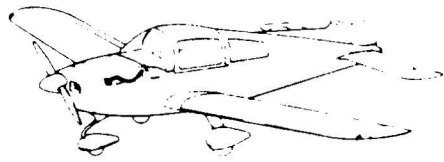
AA-5 SERIES
ILLUSTRATED PARTS CATALOG

Figure & Index No.	Part Number	Nomenclature	Units Per Assy	Usable On Code
		1 2 3 4 5 6 7		
21- 2 -	406009-501	AIR VENT INSTALLATION (LH)	NP	
	406009-502	AIR VENT INSTALLATION (RH)	NP	
	406009-505	AIR BOX ASSY (LH)	1	
	406009-506	AIR BOX ASSY (RH)	1	
		(ATTACHING PARTS)		
- 1	GAES1021Z6-8	SCREW	2	
- 2	NAS395-4-1	NUT	2	
- 3	D4410	HOLE PLUG (V57771)	2	
- 4	LAC1545	LOUVER (DYNATRON CORPORATION)	1	
- 5	C2733-081-1	NUT (V78533)	4	
- 6	5803007-106	PLACARD - VENT - PULL - OPEN	1	
- 7	5803007-112	PLACARD - CHECKLIST	1	
- 8	SB375-4	BUSHING (V28520)	2	
- 9	406013-1	COVER (LH)	1	
	406013-2	COVER (RH)	1	
		(ATTACHING PARTS)		
-10	1601-0410	RIVET (V19738)	7	
-11	AN960PD6L	WASHER	7	
		(ATTACHING PARTS)		
	406011-503	SHAFT ASSY	1	
-12	KN678D-1	NOB (V70436)	1	
-13	406011-10	SHAFT	1	
	406011-501	VALVE ASSY	1	
		(ATTACHING PARTS)		
-14	GAES1021A4-6	SCREW	2	
-15	406011-1	PLATE	1	
-16	406011-2	SEAL	1	
-17	406011-5	RETAINER	2	
-18	MS20470A3-4	RIVET	6	
-19	4C3011-9	CHANNEL	1	
-20	MS24665-132	COTTER PIN	2	
-21	A2043	CLOSED EYELET (V57771)	1	
-22	406011-11	ACTUATOR (LH)	1	
	406011-12	ACTUATOR (RH)	1	
-23	406013-3	END PLATE	2	
		(ATTACHING PARTS)		
-24	1604-0412	RIVET (V19738)	6	
-25	AN960PD6L	WASHER	6	
		(ATTACHING PARTS)		
-26	406009-1	SCREEN	1	
		(ATTACHING PARTS)		
-27	1601-0410	RIVET (V19738)	2	
-28	AN960PD6L	WASHER	2	
-29	406009-3	TUBE	1	
-30	406009-2	TUBE	1	
-31	C12007-017-4	RETAINER (V78533)	1	
-32	804007-1	TUBE	1	
-33	C185-014-4	RETAINER (V78533)	1	
-34	Y9132-A	VINYL FOAM TAPE (V26066)	AR	
-35	406012-1	AIR BOX (LH)	1	
	406012-2	AIR BOX (RH)	1	
		* = REFER TO CHAPTER 11 FOR PLACARDS		

R
R

R

AA-5 SERIES
ILLUSTRATED PARTS CATALOG



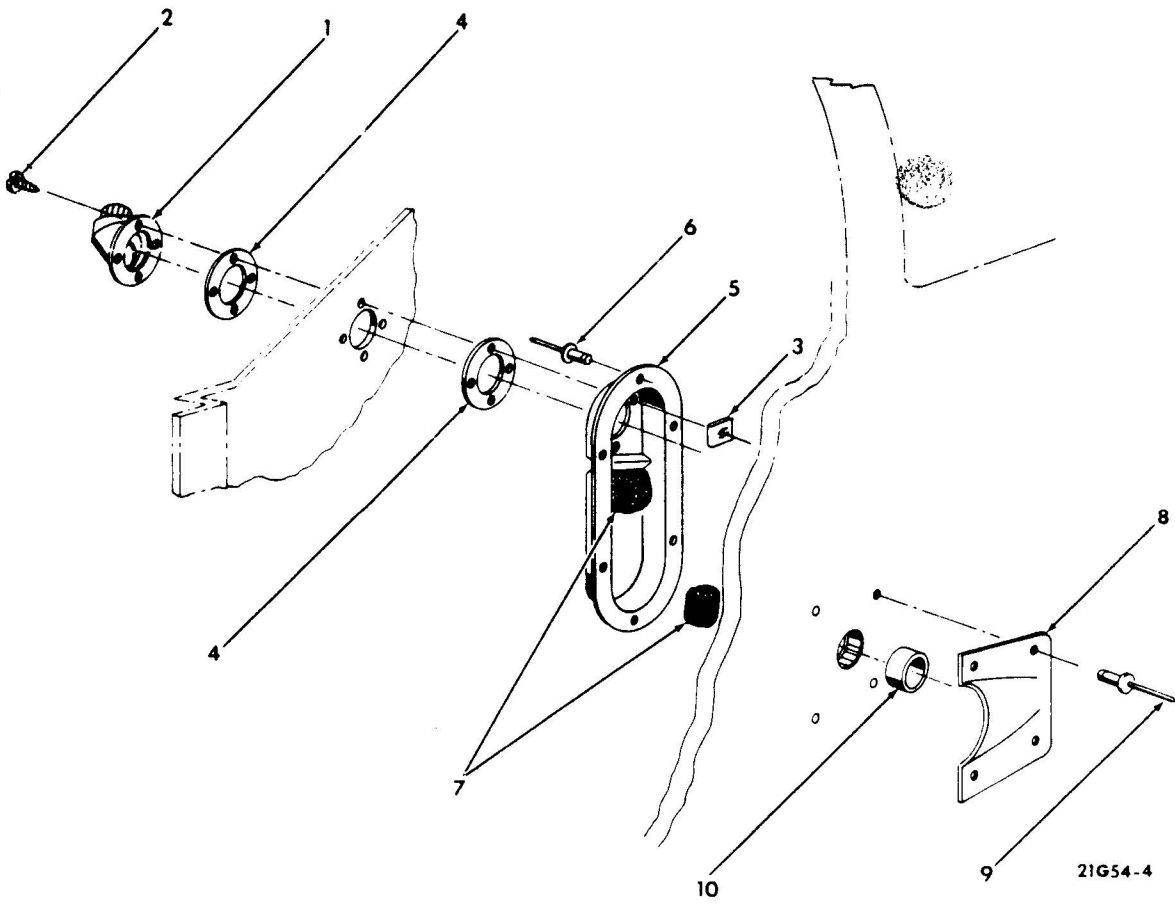
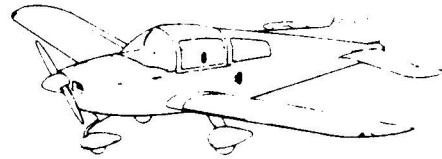
21G54-3

Radio and DME Cooling Kit Installation
Figure 21-3

AA-5 SERIES
ILLUSTRATED PARTS CATALOG

Figure & Index No.	Part Number	Nomenclature							Units Per Assy	Usable On Code	
		1	2	3	4	5	6	7			
21-3	-	804044-501	RADIO COOLING KIT INSTALLATION (OPT)							AR	
	-	804044-502	DME COOLING KIT INSTALLATION (OPT)							AR	
	- 1	804044-1	TUBING (USE WITH 804044-501)							1	
	-	804044-2	TUBING (USE WITH 804044-502)							1	
	- 2	3/32 X 5/32	FLAT LACING (V76500)							AR	
	- 3	A-12	CLAMP (USE WITH 804044-1)(V05657)							1	
	-	A-12	CLAMP (USE WITH 804044-2)(V05657)							2	
	- 4	901047-501	SNORKEL ASSY							1	
	-	1601-0410	(ATTACHING PARTS)								
	- 5	1601-0410	RIVET (V19738)							4	
	- 6	901047-1	AIR SCOOP							1	
	-	1604-0412	(ATTACHING PARTS)								
	- 7	1604-0412	RIVET (V19738)							4	

AA-5 SERIES
ILLUSTRATED PARTS CATALOG



Rear Passenger Vent Installation
Figure 21-4

AA-5 SERIES
ILLUSTRATED PARTS CATALOG

Figure & Index No.	Part Number	Nomenclature	Units	Usable
			Per Assy	On Code
21- 4 - 1 - 2 - 3 - 4 - 5 - 6 - 7 - 8 - 9 -10	5804001-501	REAR PASSENGER VENT INSTALLATION (LH - OPTIONAL) . . .	AR	
	5804001-502	REAR PASSENGER VENT INSTALLATION (RH - OPTIONAL) . . .	AR	
	B2150-2	AIR OUTLET (V83564) (ATTACHING PARTS)	1	
	GAES1021A6-14C	SCREW	4	
	NAS395-4-1	NUT	4	
	5804046-1	SEAL	AR	
	5804001-1	DUCT (ATTACHING PARTS)	1	
	1601-0410	RIVET (V19738)	6	
	5804001-3	PLASTIC MESH BALL	2	
	5804045-1	SCOOP (ATTACHING PARTS)	1	
	1601-0410	RIVET (V19738)	4	
5804001-2	TUBE	1		