

AA-5 SERIES  
ILLUSTRATED PARTS CATALOG

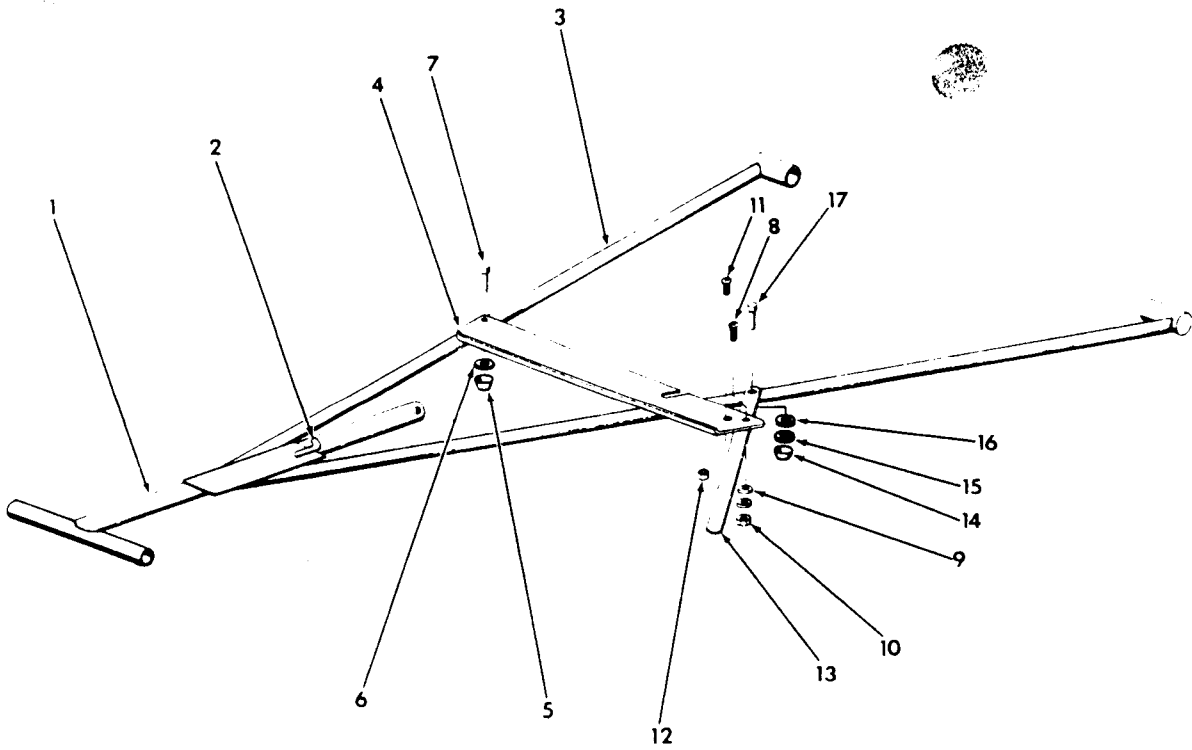
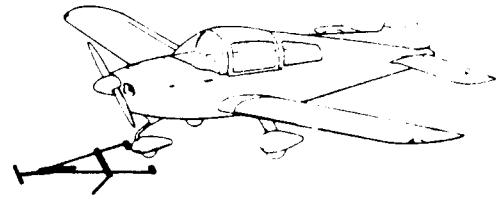
CHAPTER 12

SERVICING

TABLE OF CONTENTS

<u>SUBJECT</u>	<u>FIGURE NUMBER</u>
TOW BAR ASSEMBLY	12-1
RIGGING FIXTURES	12-2
FITTINGS AND ACCESSORIES	12-3
SPECIAL TOOLS	12-4

AA-5 SERIES  
ILLUSTRATED PARTS CATALOG



Tow Bar Assembly  
Figure 12-1

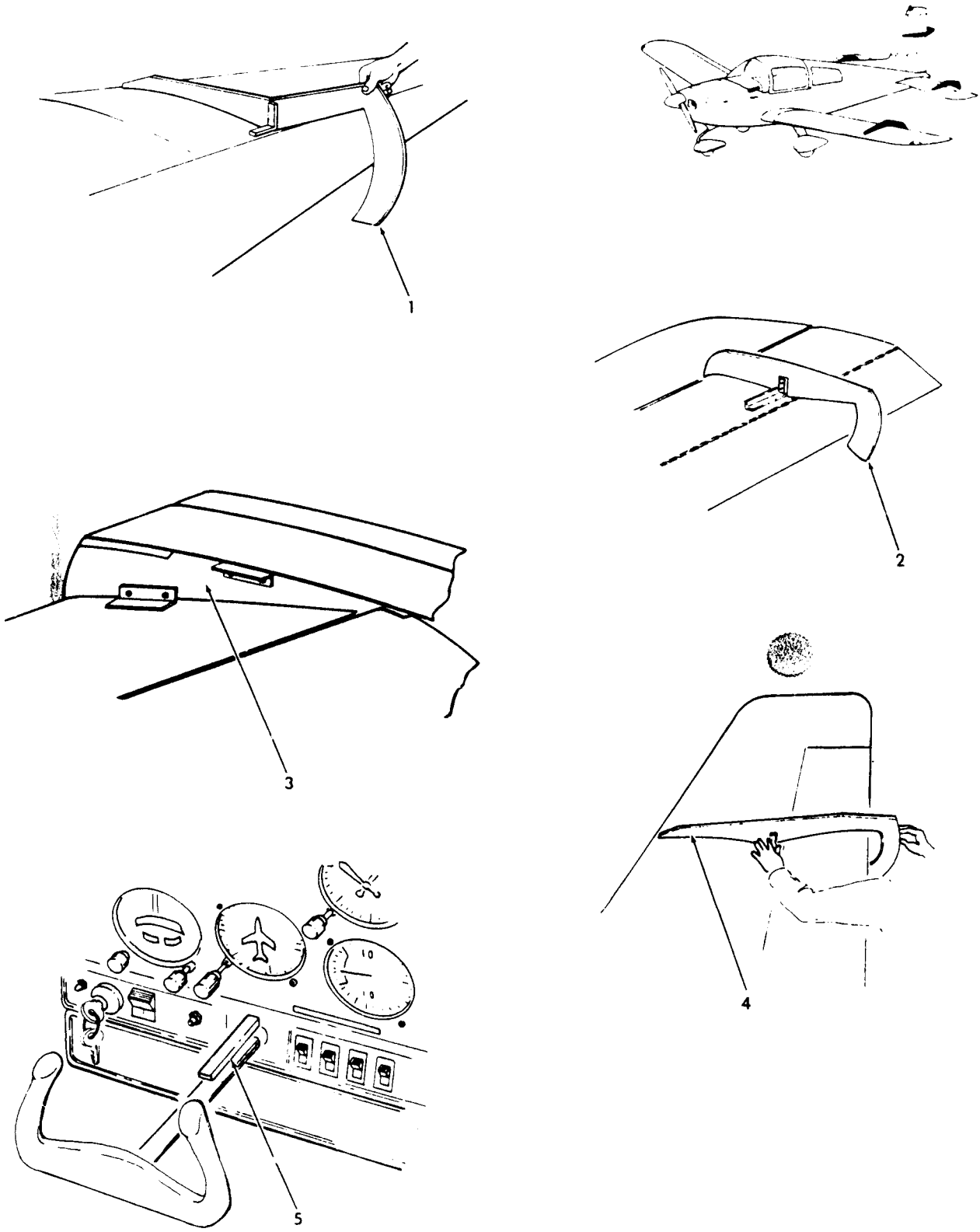
12G54-1

12  
Page 2  
April 15/77

AA-5 SERIES  
ILLUSTRATED PARTS CATALOG

Figure & Index No.	Part Number	Nomenclature							Units Per Assy	Usable On Code
		1	2	3	4	5	6	7		
12- 1	-	5804052-501	TOW BAR ASSY						AR	
	- 1	5804052-503	HANDLE ASSEMBLY						1	
	- 2	59-048-250-1500	ROLL PIN (ESNA)						1	
	- 3	5804052-502	FRAME ASSY						1	
	- 4	5804052-4	LINK						1	
			(ATTACHING PARTS)							
	- 5	C9926-014	PUSH NUT						1	
	- 6	AN960-10	WASHER						3	
	- 7	MS20392-2029	PIN						1	
	- 8	NAS623-3-4	SCREW						1	
	- 9	AN960-10L	WASHER						2	
	-10	MS20365-1032	NUT						1	
			-----							
	-11	NAS623-3-1	SCREW						1	
	-12	MS20365-1032	NUT						1	
	-13	5804052-5	ARM						1	
			(ATTACHING PARTS)							
	-14	C9926-014	PUSH NUT						1	
	-15	AN960-10L	WASHER						1	
	-16	NAS75-3-004	SPACER						1	
	-17	MS20392-2029	PIN						1	
			-----							

AA-5 SERIES  
ILLUSTRATED PARTS CATALOG



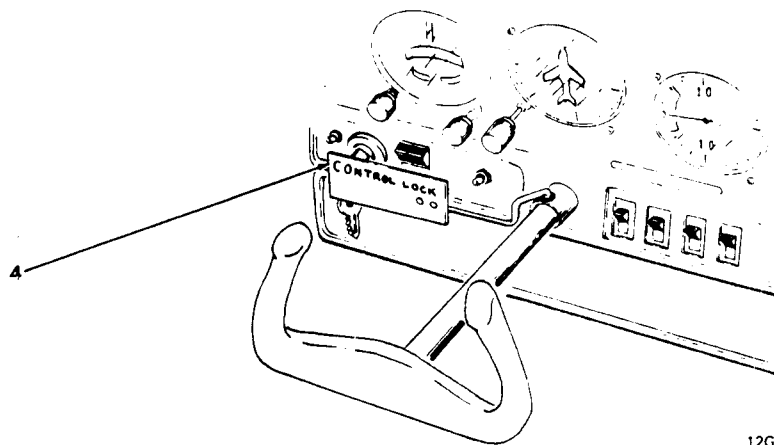
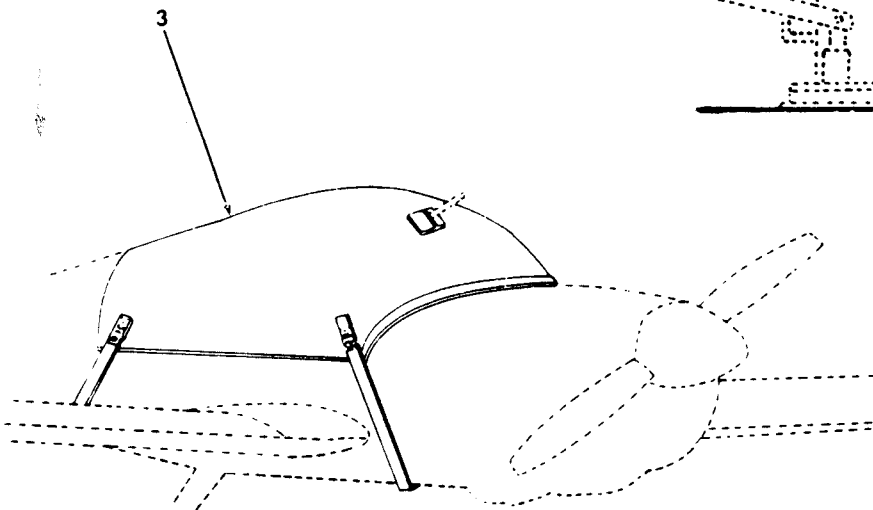
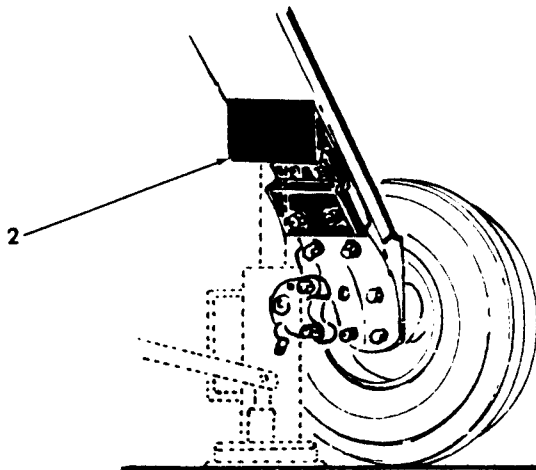
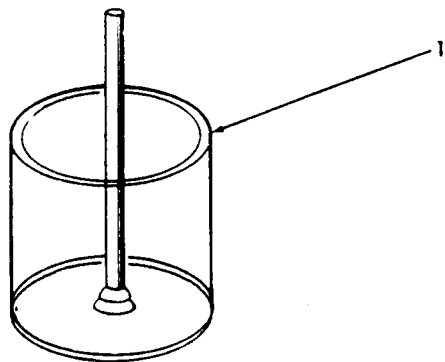
Rigging Fixtures  
Figure 12-2

12G54-2

AA-5 SERIES  
ILLUSTRATED PARTS CATALOG

Figure & Index No.	Part Number	Nomenclature							Units Per Assy	Usable On Code
		1	2	3	4	5	6	7		
12- 2 -	NO NUMBER	RIGGING FIXTURES							NP	
- 1	DE-5003-501	. FLAP AND AILERON RIGGING FIXTURE							AR	
- 2	DE-5004-502	. TRIM TAB RIGGING FIXTURE							AR	
- 3	DE-5002-501	. ELEVATOR RIGGING FIXTURE							AR	
- 4	DE-0002-501	. RUDDER RIGGING FIXTURE							AR	
- 5	DE-5005-501	. CONTROL WHEEL ELEVATOR RIGGING FIXTURE							AR	

AA-5 SERIES  
ILLUSTRATED PARTS CATALOG



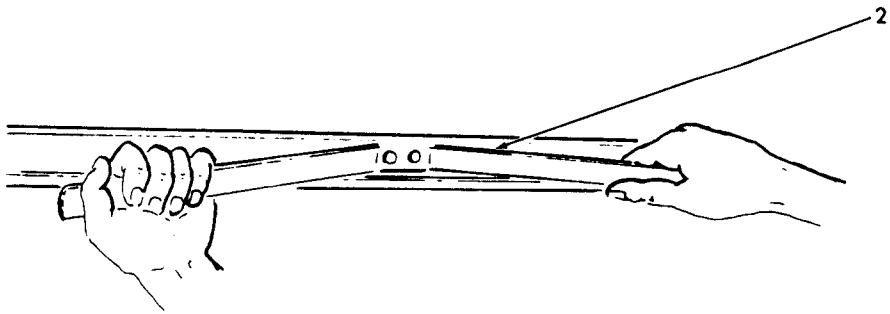
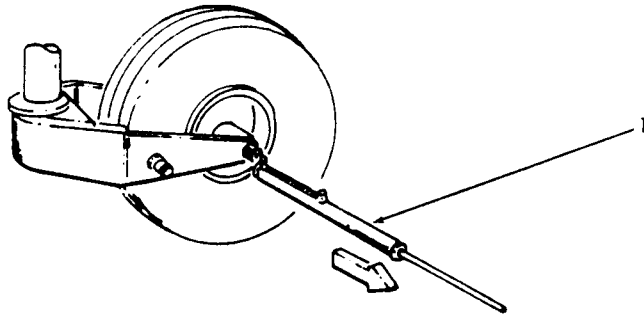
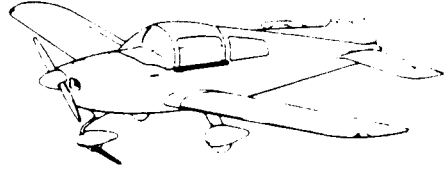
12G54-3

Figures and Accessories  
Figure 12-3

AA-5 SERIES  
ILLUSTRATED PARTS CATALOG

Figure & Index No.	Part Number	Nomenclature							Units Per Assy	Usable On Code
		1	2	3	4	5	6	7		
12- 3 -	NO NUMBER	FITTINGS AND ACCESSORIES . . . . .							NP	
- 1	F391	. CUP, FUEL SAMPLER . . . . .							AR	
- 2	DE-0001-501	. JACK FITTING . . . . .							AR	
- 3	804031-2	. CANOPY COVER . . . . .							AR	
- 4	602111-501	. CONTROL WHEEL LOCK ASSY . . . . .							1	

AA-5 SERIES  
ILLUSTRATED PARTS CATALOG



12G54-4

Special Tools  
Figure 12-4



AA-5 SERIES  
ILLUSTRATED PARTS CATALOG

Figure & Index No.	Part Number	Nomenclature							Units Per Assy	Usable On Code
		1	2	3	4	5	6	7		
12- 4 - 1 - 2	NO NUMBER 719-40MRP ST-1064	SPECIAL TOOLS . . . . .							NP	
		SPRING SCALE . . . . .							AR	
		CANOPY TRACK SIZING TOOL . . . . .							AR	