

AA-5 SERIES
ILLUSTRATED PARTS CATALOG

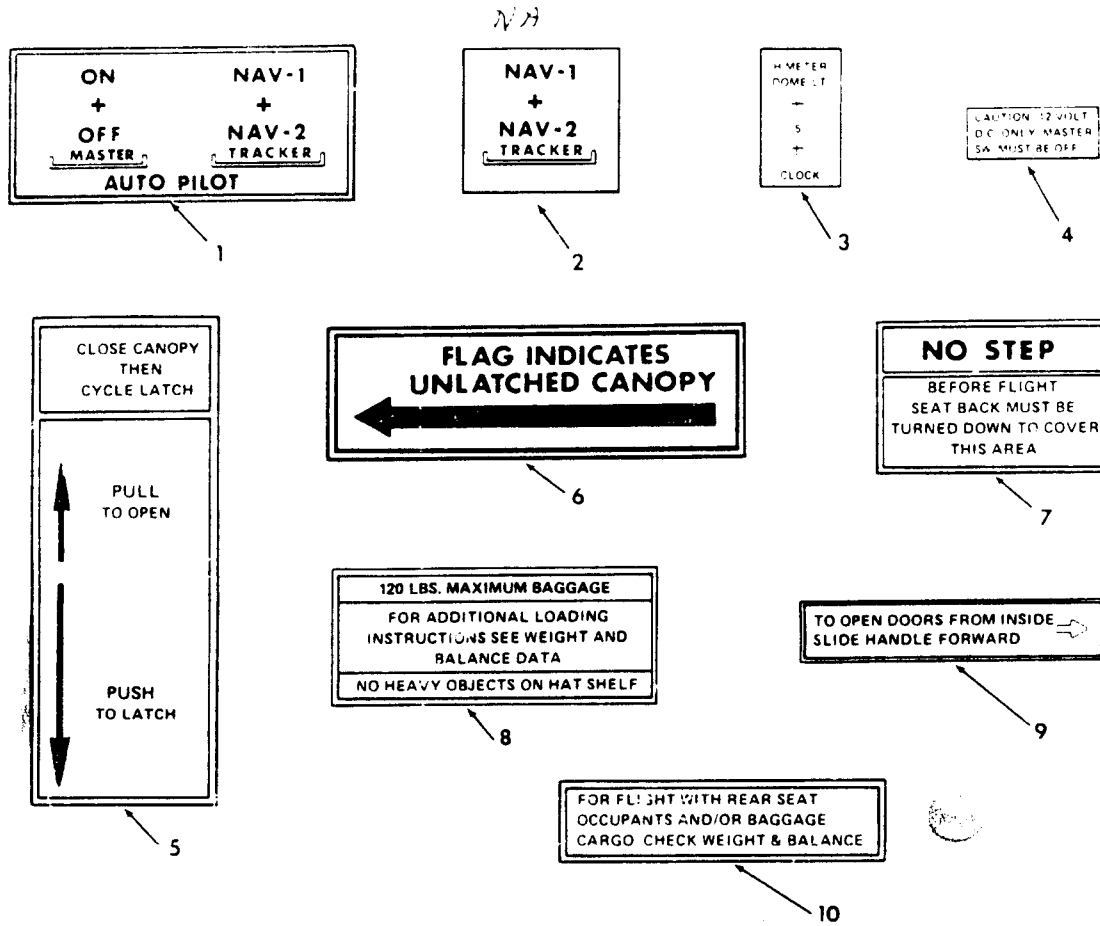
CHAPTER 11

PLACARDS AND MARKINGS

TABLE OF CONTENTS

<u>SUBJECT</u>	<u>FIGURE NUMBER</u>
PLACARDS AND DETAILS	11-1
EXTERIOR STYLING AND MARKINGS	11-2

AA-5 SERIES
ILLUSTRATED PARTS CATALOG



THIS AIRPLANE MUST BE OPERATED AS A NORMAL OR UTILITY CATEGORY AIRPLANE IN COMPLIANCE WITH THE OPERATING LIMITATIONS STATED IN THE FORM OF PLACARDS, MARKINGS AND MANUALS

NORMAL CATEGORY -	
MAXIMUM DESIGN WEIGHT	2200 LBS
DESIGN MANEUVERING SPEED VA	106 KNOTS CAS
FLIGHT LOAD FACTORS	
FLAPS UP	+3.8 -1.52
FLAPS DOWN	-1.35
NO ACROBATIC MANEUVERS, INCLUDING SPINS, APPROVED	
UTILITY CATEGORY -	
MAXIMUM DESIGN WEIGHT	1850 LBS
DESIGN MANEUVERING SPEED VA	106 KNOTS CAS
FLIGHT LOAD FACTORS	
FLAPS UP	+4.4 -1.76
FLAPS DOWN	-1.35
REAR SEAT MUST NOT BE OCCUPIED	
ACROBATIC MANEUVERS ARE LIMITED TO THE FOLLOWING	
MANEUVER	ENTRY SPEED CAS
CHANDELLES	106 KNOTS
LAZY EIGHTS	106 KNOTS
STEEP TURNS	106 KNOTS
STALLS (EXCEPT WHIP STALLS)	SLOW DECELERATION
SPINS PROHIBITED	
MAXIMUM ALTITUDE LOSS IN STALL	350 FEET
DEMONSTRATED CROSSWIND VELOCITY	16 KNOTS
THIS AIRPLANE NOT APPROVED FOR FLIGHT IN ICING CONDITIONS	
THIS AIRPLANE IS CERTIFIED FOR THE FOLLOWING OPERATIONS	
IFR VFR DAY NIGHT WHEN PROPERLY EQUIPPED PER FAR 91	
REFER TO WEIGHT AND BALANCE DATA FOR LOADING INSTRUCTIONS	
READ FUEL GAUGES IN LEVEL FLIGHT ONLY FOR NORMAL OPERATION - MAINTAIN FUEL BALANCE	

5803007 103 3A 5A

THIS AIRPLANE MUST BE OPERATED AS A NORMAL OR UTILITY CATEGORY AIRPLANE IN COMPLIANCE WITH THE OPERATING LIMITATIONS STATED IN THE FORM OF PLACARDS, MARKINGS AND MANUALS

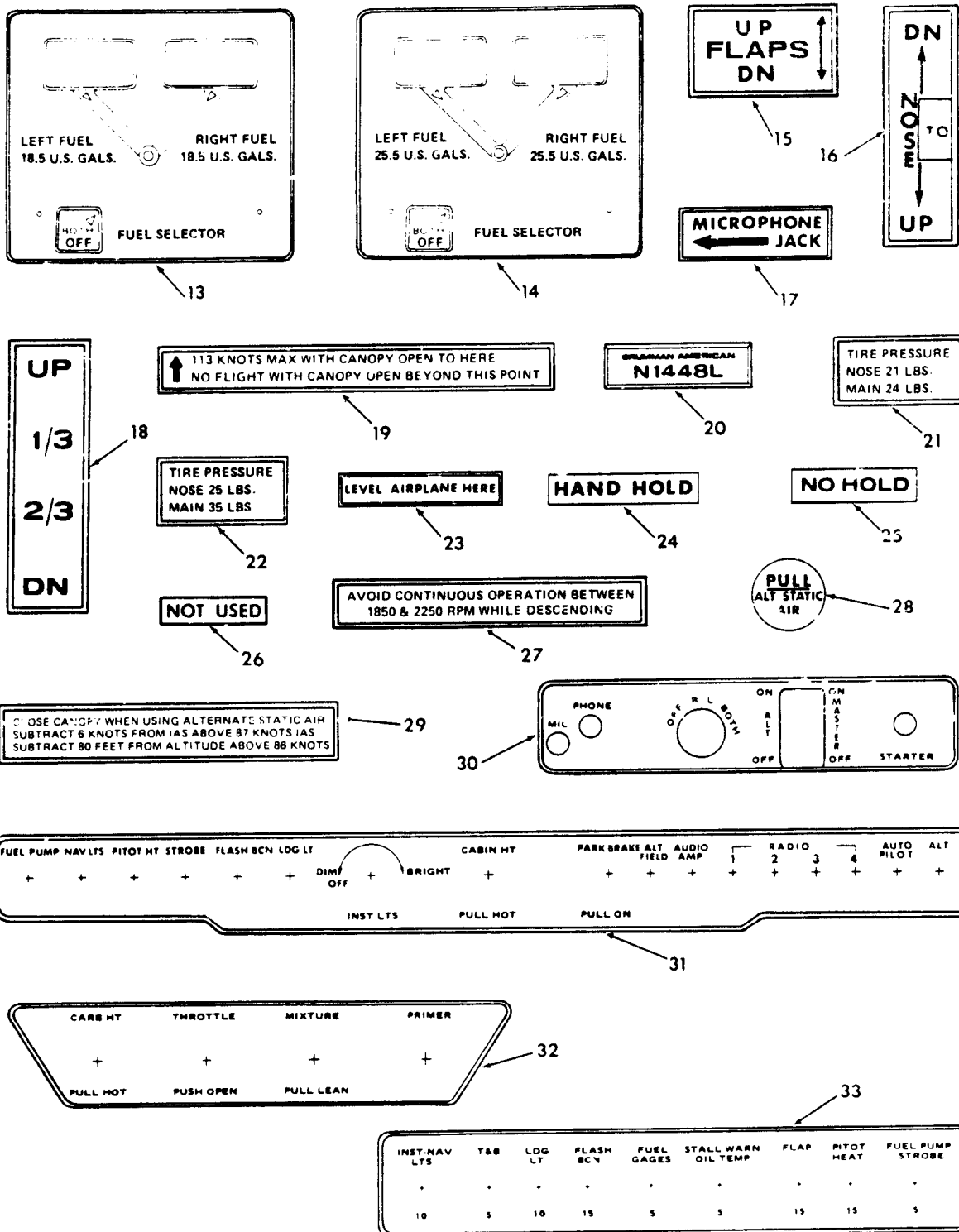
NORMAL CATEGORY -	
MAXIMUM DESIGN WEIGHT	2400 LBS
DESIGN MANEUVERING SPEED VA	113 KNOTS CAS
FLIGHT LOAD FACTORS	
FLAPS UP	+3.8 -1.52
FLAPS DOWN	-1.35
NO ACROBATIC MANEUVERS, INCLUDING SPINS, APPROVED	
UTILITY CATEGORY -	
MAXIMUM DESIGN WEIGHT	2050 LBS
DESIGN MANEUVERING SPEED VA	113 KNOTS CAS
FLIGHT LOAD FACTORS	
FLAPS UP	+4.4 -1.76
FLAPS DOWN	-1.35
REAR SEAT MUST NOT BE OCCUPIED	
ACROBATIC MANEUVERING LIMITED TO THE FOLLOWING	
MANEUVER	ENTRY SPEED CAS
CHANDELLES	113 KNOTS
LAZY EIGHTS	113 KNOTS
STEEP TURNS	113 KNOTS
STALLS (EXCEPT WHIP STALLS)	SLOW DECELERATION
SPINS PROHIBITED	
MAXIMUM ALTITUDE LOSS IN STALL	350 FEET
DEMONSTRATED CROSSWIND VELOCITY	16 KNOTS
THIS AIRPLANE NOT APPROVED FOR FLIGHT IN ICING CONDITIONS	
THIS AIRPLANE IS CERTIFIED FOR THE FOLLOWING OPERATIONS	
IFR VFR DAY NIGHT WHEN PROPERLY EQUIPPED PER FAR 91	
REFER TO WEIGHT AND BALANCE DATA FOR LOADING INSTRUCTIONS	
READ FUEL GAUGES IN LEVEL FLIGHT ONLY FOR NORMAL OPERATIONS - MAINTAIN FUEL BALANCE	

5803007 96 AA 5B

Placards and Details
Figure 11-1 (Sheet 1 of 3)

A11G54-1-1

AA-5 SERIES
ILLUSTRATED PARTS CATALOG



A11G54-1-2

Placards and Details
Figure 11-1 (Sheet 2 of 3)

AA-5 SERIES
ILLUSTRATED PARTS CATALOG

WARNING
— HIGH —
VOLTAGE
WAIT 5 MINUTES AFTER
SHUTTING OFF BEFORE STARTING
ANY WORK ON THIS UNIT
CAUTION
— CAUTION —
THIS UNIT POLARITY SENSITIVE
WHITE OR RED LEAD POSITIVE
BLACK LEAD AND OR CASE NEGATIVE

34

TURN OFF STROBE IN CLOUD, FOG
OR HAZE. TAXI WITH STROBE OFF.

35

CAUTION FLASHING BEACON IN CLOUDS
MAY CAUSE VISUAL DISORIENTATION.

36

MAP LT
OFF
DOME LT

37

E 1/2 F

38

VENT
PULL-OPEN

39

CHECK LIST
TAKE-OFF
1. FUEL - FULLEST TANK
2. MIXTURE - FULL RICH
3. AUX. PUMP - ON
4. INSTRUMENTS - SET & CHECK
5. TRIM - SET
6. FLAPS - UP
7. THROTTLE - FULL
8. RAISE NOSE - 35 KNOTS
LANDING
1. FUEL - FULLEST TANK
2. MIXTURE - FULL RICH
3. AUX. PUMP - ON
4. CARB. HEAT - AS REQUIRED
5. FLAPS - AS REQUIRED
6. APPROACH - 70 KNOTS

40

FINISH AND TRIM

41

CAUTION
PRIOR TO STRIPPING EXTERIOR
PAINT CONSULT SERVICE MANUAL

42

PART No 5804040
SERIAL No
COLUMBIAN AMERICAN
TULSA, OKLA. U.S.A.

43

LATCHED
(LATCH FLUSH) NOT LATCHED

44

NO PASSENGERS
340 POUNDS MAXIMUM CARGO
DISTRIBUTE EVENLY
FOR ADDITIONAL LOADING
INSTRUCTIONS SEE WEIGHT AND
BALANCE DATA AND PILOTS
OPERATING HAND BOOK

45

CAUTION
SWIVEL VISOR
AFT AND UP
BEFORE OPENING
CANOPY

46

DO NOT PAINT
VANE OR SLOT

47



48

**PUSH
TO
UNLOCK**

49

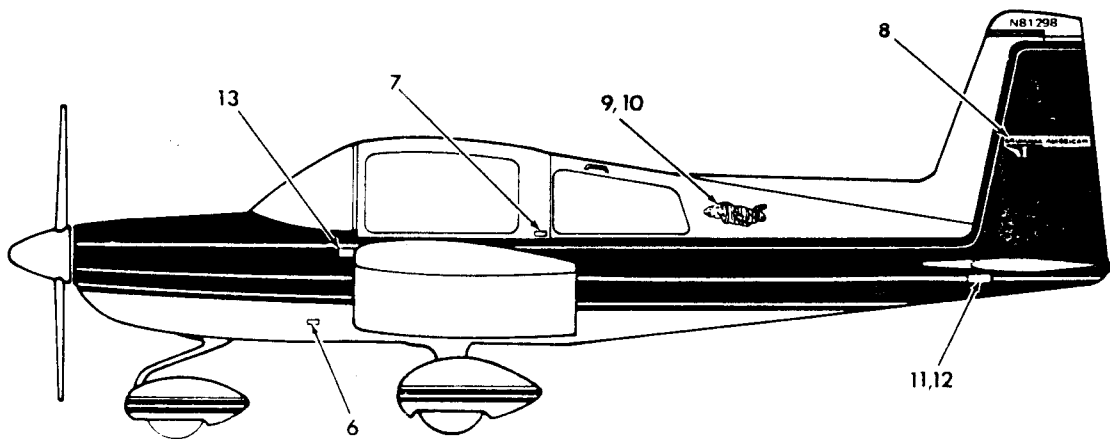
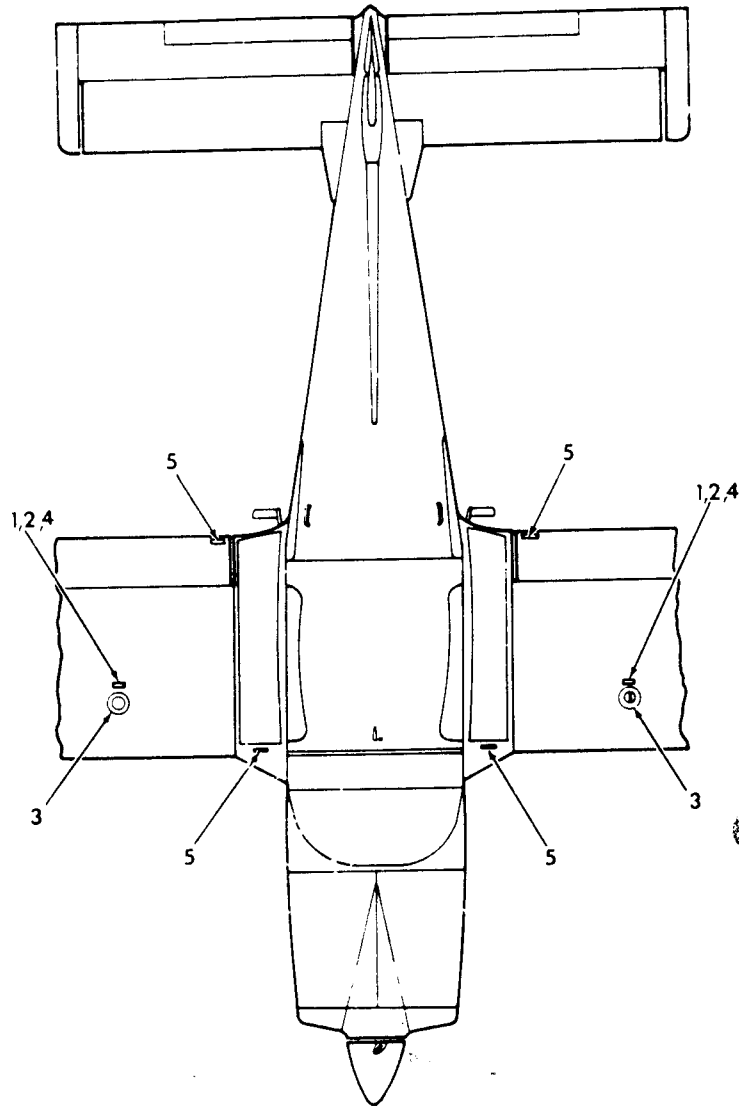
Placards and Details
Figure 11-1 (Sheet 3 of 3)

A11G54-1-3

AA-5 SERIES
ILLUSTRATED PARTS CATALOG

Figure & Index No.	Part Number	Nomenclature							Units Per Assy	Usable On Code	
		1	2	3	4	5	6	7			
11-1	-	NO NUMBER	PLACARDS AND DETAILS								
	- 1	5803007-88	. NAV SWITCH								
	- 2	5804047-1	. NAV SWITCH								
	- 3	5803007-41	. CLOCK-DOME LT								
	- 4	804023-4	. CAUTION								
	- 5	5803007-23	. CANOPY LATCH								
	- 6	5803007-24	. CANOPY LATCH								
	- 7	5803007-26	. COVER								
	- 8	5803007-44	. BAGGAGE								
	- 9	5803007-45	. BAGGAGE DOOR								
	-10	5603007-28	. WEIGHT AND BALANCE								
	-11	5803007-103	. OPERATIONS LIMITATIONS (AA-5A)								
	-12	5803007-96	. OPERATIONS LIMITATIONS (AA-5B)								
	-13	5803006-1	. FUEL SELECTOR (18-1/2 GAL)								A
	-14	5803006-2	. FUEL SELECTOR (25.5 GAL)								A
	-15	5803007-86	. FLAP SWITCH								
	-16	5803007-87	. TRIM								
	-17	5803007-100	. MICROPHONE JACK								
	-18	5803007-85	. FLAP POSITION								
	-19	5803007-94	. CANOPY LIMIT								
	-20	5803013-1	. AIRCRAFT IDENT								
	-21	5803007-7	. TIRE PRESSURE (AA-5A)								
	-22	5803007-49	. TIRE PRESSURE (AA-5B)								
	-23	5803007-107	. LEVEL								
	-24	803007-23	. HAND HOLD								
	-25	803007-34	. NO HOLD								
	-26	5803007-91	. NOT USED								
	-27	5803007-121	. ENGINE RPM CAUTION (AA-5B)								
	-28	5803007-101	. ALT STATIC AIR								
	-29	5803007-95	. ALT STATIC AIR								
	-30	5803007-97	. IGNITION AND MASTER SWITCH								
	-31	5803007-36	. SWITCH AND CIRCUIT BREAKER								
	-32	5803007-40	. ENGINE CONTROL								
	-33	5803007-37	. FUSE								
	-34	120-50	. WARNING-HIGH VOLTAGE (V30467)								
	-35	5803007-109	. STROBE								
	-36	5803007-108	. FLASHING BEACON CAUTION								
	-37	5803007-118	. DOME AND MAP LT								
	-38	5803007-10	. FUEL GAGE								
	-39	803007-106	. VENT PULL-OPEN								
	-40	5803007-112	. CHECK LIST								
	-41	803007-18	. FINISH AND TRIM								
	-42	5803007-43	. PAINT STRIPPER								
	-43	5803007-79	. STALL SWITCH SERIAL NO.								
	-44	5803007-46	. COWL LATCH								
	-45	5803007-84	. CARGO								
	-46	5803007-102	. VISOR CAP								
	-47	5803007-78	. STALL SWITCH								
	-48	5803007-110	. FUEL SELECTOR								
	-49	5803007-119	. PUSH TO UNLOCK								
			A = AA5A-0283 THRU 0522 AND 0610 AND SUBSEQUENT								
			AA5B-0001 THRU 0692 AND 0805 AND SUBSEQUENT								

AA-5 SERIES
ILLUSTRATED PARTS CATALOG

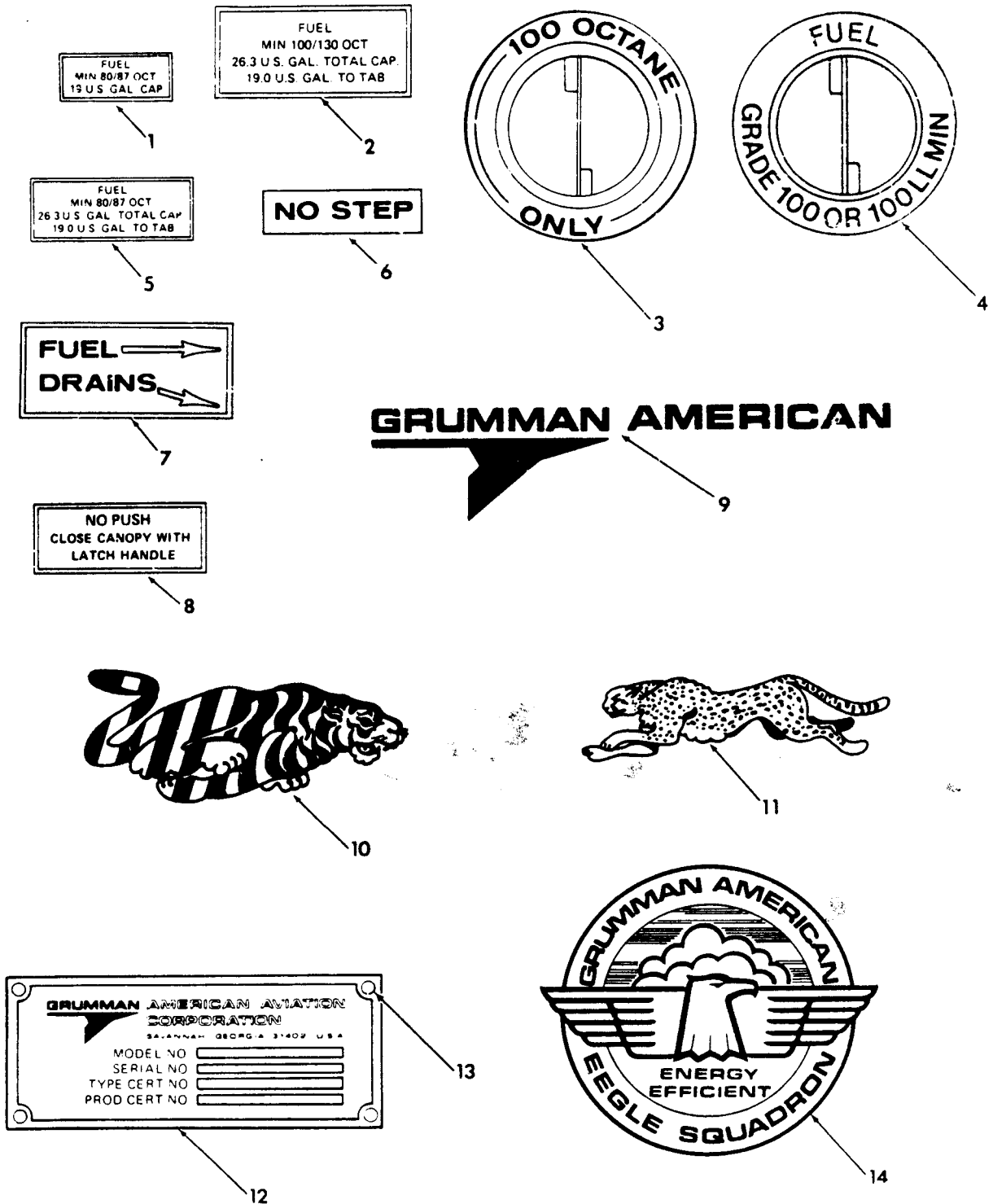


Exterior Styling and Markings
Figure 11-2 (Sheet 1 of 2)

A11G54-2-1

11
Page 6
Dec 15/77

AA-5 SERIES
ILLUSTRATED PARTS CATALOG



Exterior Styling and Markings
Figure 11-2 (Sheet 2 of 2)

A11G54-2-2

AA-5 SERIES
ILLUSTRATED PARTS CATALOG

Figure & Index No.	Part Number	Nomenclature	Units Per Assy	Usable On Code
11- 2 -	5000011-501	EXTERIOR STYLING AND MARKINGS	NP	A
	5000012-501	EXTERIOR STYLING AND MARKINGS	NP	B
- 1	5803007-6	PLACARD - FUEL (WHITE)	2	* A
	5803007-9	PLACARD - FUEL (BLACK)	2	* A
- 2	5803007-113	PLACARD - FUEL CAPACITY (WHITE)	2	* B
	5803007-114	PLACARD - FUEL CAPACITY (BLACK)	2	* B
- 3	5803007-68	PLACARD - FUEL OCTANE	2	C
- 4	7F10038-89	PLACARD - FUEL OCTANE	2	D
- 5	5803007-73	PLACARD - FUEL (BLACK) (OPTIONAL)	2	* A
	5803007-74	PLACARD - FUEL (WHITE) (OPTIONAL)	2	* A
- 6	803007-27	PLACARD - NO STEP (WHITE)	4	*
	803007-29	PLACARD - NO STEP (BLACK)	4	*
- 7	5803007-18	PLACARD - FUEL DRAIN (LH - WHITE)	1	*
	5803007-19	PLACARD - FUEL DRAIN (RH - WHITE)	1	*
	5803007-20	PLACARD - FUEL DRAIN (LH - BLACK)	1	*
	5803007-21	PLACARD - FUEL DRAIN (RH - BLACK)	1	*
- 8	5803007-31	PLACARD - CANOPY CLOSE (WHITE)	2	*
	5803007-42	PLACARD - CANOPY CLOSE (BLACK)	2	* A
- 9	803009-1	PLACARD - GRUMMAN AMERICAN (LH - WHITE)	1	* B
	803009-2	PLACARD - GRUMMAN AMERICAN (RH - WHITE)	1	* B
	803009-5	PLACARD - GRUMMAN AMERICAN (LH - BLACK)	1	*
	803009-6	PLACARD - GRUMMAN AMERICAN (RH - BLACK)	1	*
10	5803003-1	DECAL - TIGER (LH)	1	B
	5803003-2	DECAL - TIGER (RH)	1	B
-11	5803010-1	DECAL - CHEETAH (LH)	1	A
	5803010-2	DECAL - CHEETAH (RH)	1	A
-12	5803005-2	NAMEPLATE	1	*
		(ATTACHING PARTS)		
-13	1601-0410	RIVET (V19738)	4	*
-14	5803007-120	ENERGY EFFICIENT	2	*
		A = AA5A-0283 AND SUBSEQUENT		
		B = AA5B-0400 AND SUBSEQUENT		
		C = AA5A-0283 THRU 0704 AA5B-0400 THRU 0944		
		D = AA5B-0945 AND SUBSEQUENT AA5A-0705 AND SUBSEQUENT		
		* = ORDER PLACARD COLOR TO CONTRAST WITH EXTERIOR PAINT.		
	5803014-13	TIGER Black		
	-11	" White		
	-15	Cheetah		